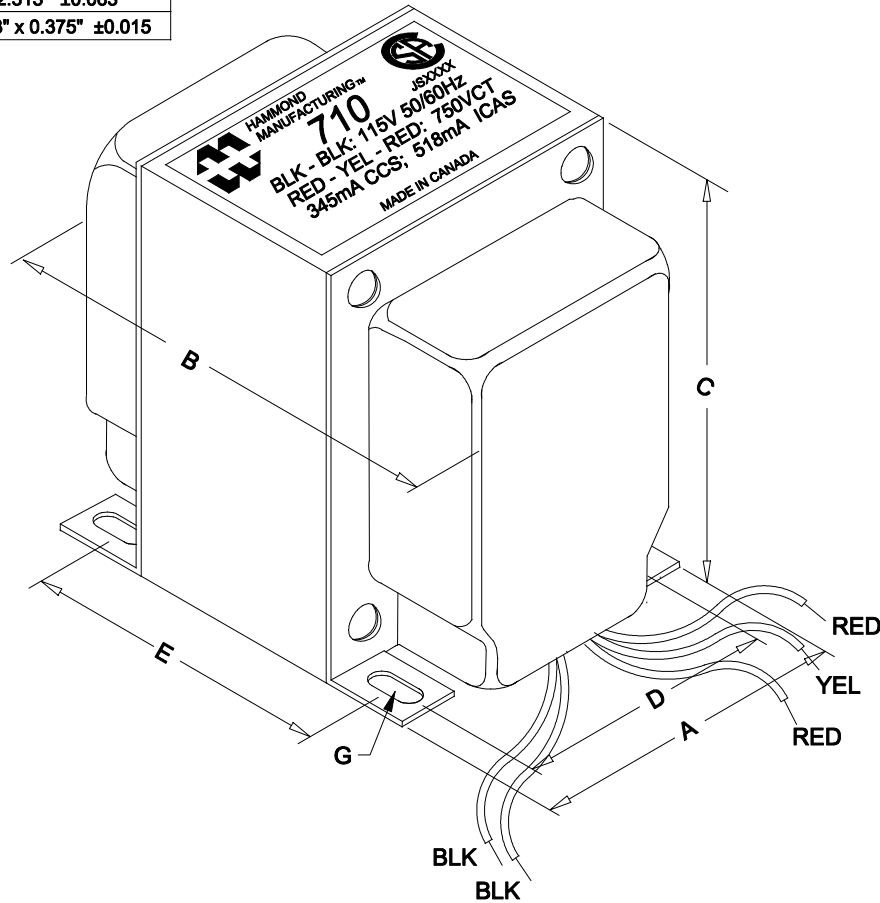
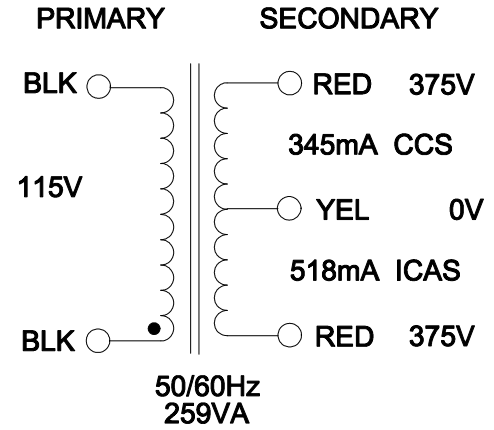


DIMENSIONS:	
A	3.750" ±0.063
B	3.436" ±0.125
C	4.530" ±0.063
D	3.000" ±0.063
E	2.313" ±0.063
G	0.203" x 0.375" ±0.015



NOTE: ALL LEADS 9" OUT MIN.



ELECTRICAL DATA:		
TESTS	CONDITIONS	ACCEPTANCE CRITERIA
I _{ex}	@ 120V, 60Hz, WHT - BLK	220mA Max.
Sec. N.L.V	@ 115V, 60Hz, BLK - BLK	
	RED - RED =	809.6V ±2%
	RED - RED/YEL = RED/YEL - RED =	404.8V ±2%
DCR	@ 20°C, BLK - BLK =	2.800 Ω ±20%
	@ 20°C, RED - RED =	129.0 Ω ±20%
HIPOT	PRIMARY - SECONDARY	2500V, 60Hz, 1 SEC

REV.#	REVISION	DATE	HAMMOND MANUFACTURING™		ELECTRONIC DIVISION	
0	RELEASED.	C.I. 07/27/18	52 RANKIN PLACE, WATERLOO, ONTARIO, N2J 3Z5		PH # (519) 886-6181 FAX # (519) 886-9540	
			DWG. BY: C. ILIE	CHK'D BY:	TITLE: PLATE TRANSFORMER	DWG. NO. 710
			DATE: 07/27/18	APP'D. BY:		
				DIMENSIONS: IN(X) MM()		