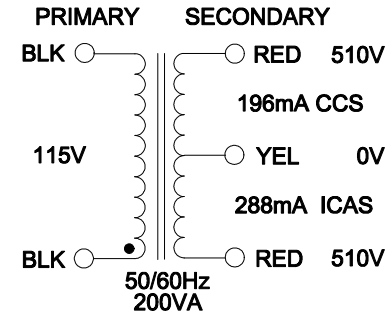
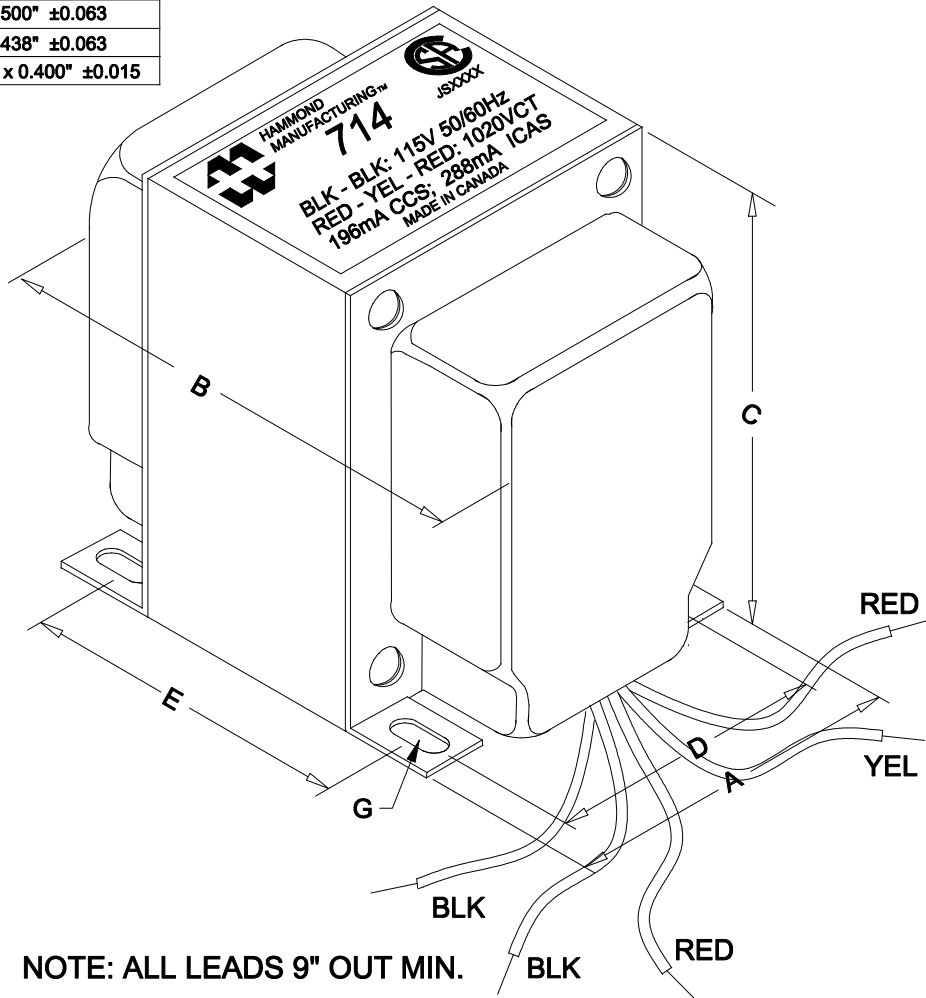


DIMENSIONS:	
A	3.125" ±0.063
B	3.686" ±0.125
C	3.796" ±0.063
D	2.500" ±0.063
E	2.438" ±0.063
G	0.203" x 0.400" ±0.015



ELECTRICAL DATA:		
TESTS	CONDITIONS	ACCEPTANCE CRITERIA
I _{ex}	@ 115V, 60Hz, BLK - BLK	258mA Max.
Sec. N.L.V	@ 115V, 60Hz, BLK - BLK	
	RED - RED =	1136.2V ±2%
	RED - RED/YEL = RED/YEL - RED =	568.1V ±2%
DCR	@ 20°C, WHT - BLK =	1.857 Ω ±20%
	@ 20°C, RED - RED =	178.8 Ω ±20%
HIPOT	PRIMARY - SECONDARY	2500V, 60Hz, 1 SEC

REV.#	REVISION	DATE	HAMMOND ELECTRONIC DIVISION		
0	RELEASED. C.I.	06/01/18	52 RANKIN PLACE, WATERLOO, ONTARIO, N2J 3Z5		
			PH # (519) 886-6181	FAX # (519) 886-9540	
			DWG. BY: C. ILIE	CHK'D BY:	TITLE: PLATE TRANSFORMER
			DATE: 06/01/18	APP'D. BY:	DWG. NO. 714
				DIMENSIONS: IN(X) MM ()	