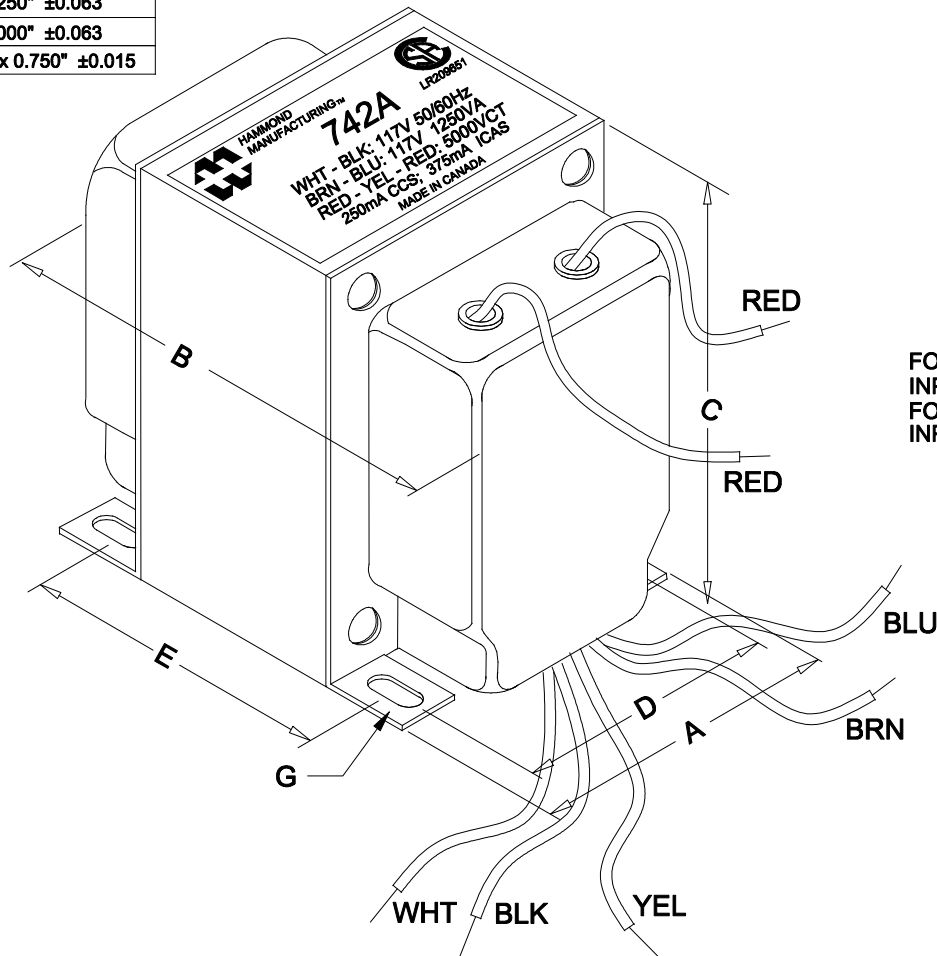
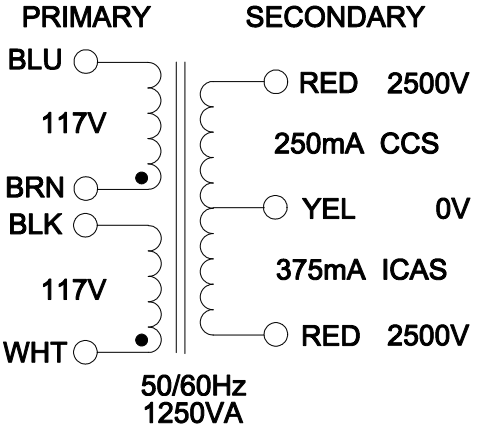


DIMENSIONS:	
A	5.281" ±0.063
B	7.596" ±0.125
C	6.361" ±0.063
D	4.250" ±0.063
E	6.000" ±0.063
G	0.281" x 0.750" ±0.015



NOTE: ALL LEADS 12.0" LONG MIN. STRIP 0.5".



FOR 117V: CONNECT WHT & BRN TOGETHER AND BLK & BLU TOGETHER  
 INPUT: WHT - BLK  
 FOR 234V: CONNECT BLK & BRN TOGETHER  
 INPUT: WHT - BLU

ELECTRICAL DATA:		
TESTS	CONDITIONS	ACCEPTANCE CRITERIA
Iex	@ 117V, 60Hz, WHT - BLK	450mA Max.
Sec. N.L.V	@ 117V, 60Hz, WHT - BLK	
	RED - RED =	5087.8V ±2%
	RED - RED/YEL = RED/YEL - RED =	2543.9V ±2%
DCR	@ 20°C, WHT - BLK =	0.157 Ω ±20%
	@ 20°C, BRN - BLU =	0.168 Ω ±20%
	@ 20°C, RED - RED =	166.4 Ω ±20%
HIPOT	PRIMARY - SECONDARY	7250V, 60Hz, 1 SEC

REV.#	REVISION	DATE
0	RELEASED.	C.I. 05/11/20
1	LEAD LENGTH WAS 6".	C.I. 05/15/20

**HAMMOND MANUFACTURING™** ELECTRONIC DIVISION  
 52 RANKIN PLACE, WATERLOO, ONTARIO, N2J 3Z5  
 PH # (519) 886-6181 FAX # (519) 886-9540

DWG. BY: C. ILIE      CHK'D BY:      TITLE: PLATE TRANSFORMER  
 DATE: 05/11/20      APP'D. BY:      DWG. NO. 742A  
 DIMENSIONS: IN(X) MM( )