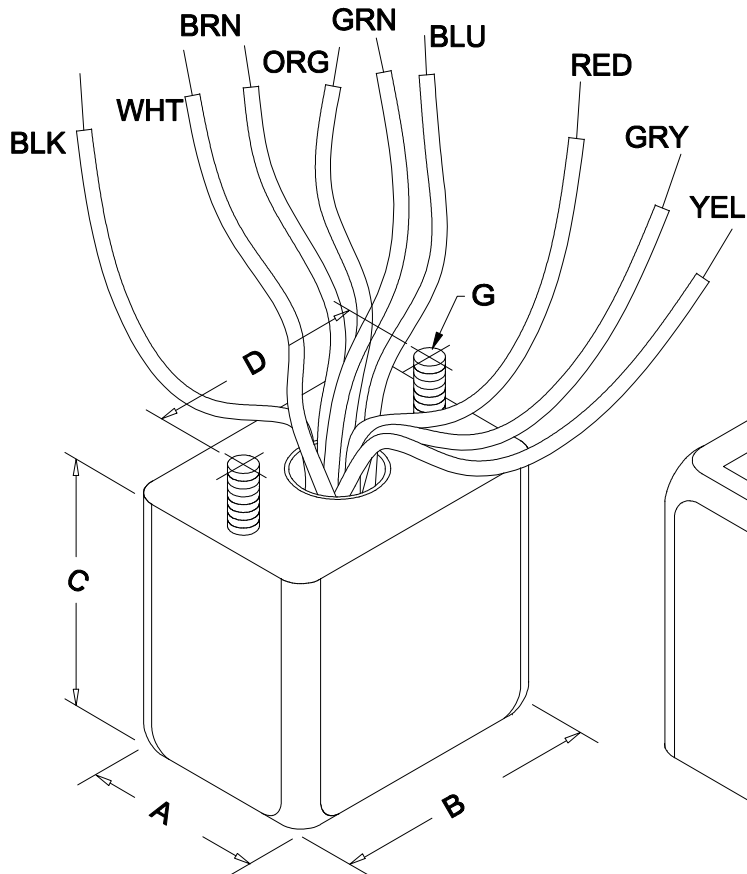
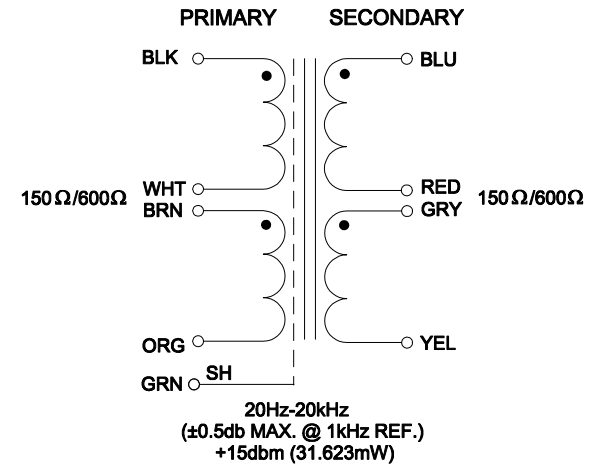
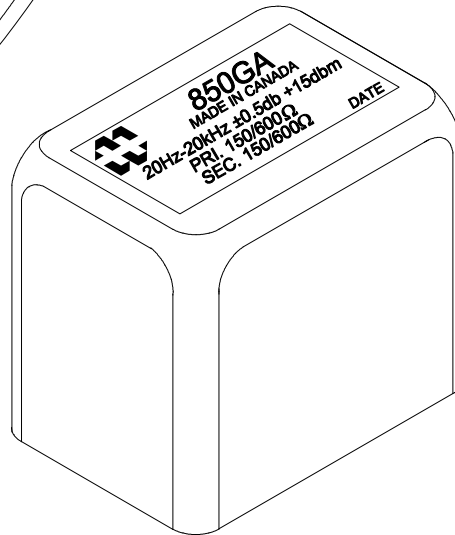


DIMENSIONS:	
A	1.200" ±0.063
B	1.700" ±0.063
C	1.650" MAX.
D	1.320" ±0.031
G	#6-32 MTG. STUDS



NOTE: ALL LEADS 4.0" MIN. OUT.



ELECTRICAL DATA:		
TESTS	CONDITIONS	ACCEPTANCE CRITERIA
Iex	@ 2.25V, 47Hz, BLK - WHT	2mA Max.
Sec. N.L.V	@ 2.25V, 400Hz, BLK - WHT	
	BLU - RED =	2.224V ±2%
	@ 2.25V, 400Hz, BRN - ORG	
DCR	GRY - YEL =	2.224V ±2%
	@ 20°C, BLK - WHT =	32.00Ω ±20%
	@ 20°C, BRN - ORG =	32.00Ω ±20%
	@ 20°C, BLU - RED =	27.40Ω ±20%
	@ 20°C, GRY - YEL =	27.40Ω ±20%
HIPOT	PRIMARY - SECONDARY	250V, 60Hz, 1 SEC

REV.#	REVISION	DATE
0	RELEASED.	C.I. 11/12/18

HAMMOND MANUFACTURING™	ELECTRONIC DIVISION 52 RANKIN PLACE, WATERLOO, ONTARIO, N2J 3Z5		PH # (519) 886-6181 FAX # (519) 886-9540
	DWG. BY: C. ILIE DATE: 11/12/18	CHK'D BY: APP'D. BY: DIMENSIONS: IN(X) MM()	TITLE: AUDIO TRANSFORMER