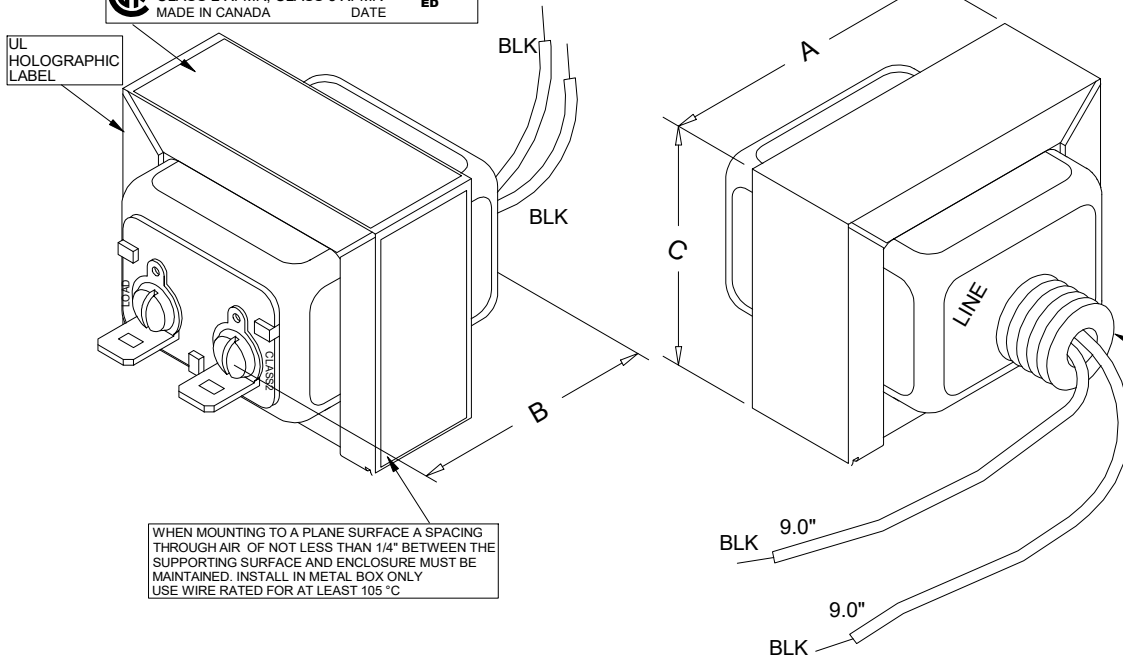


DIMENSIONS:	
A	2.33" ±0.063
B	2.22" ±0.125
C	1.98" ±0.063

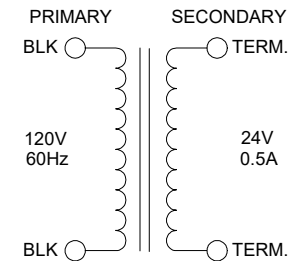
**BC2G**  
 PRI BLK - BLK 120V 60Hz  
 SEC 24V 12VA  
 CLASS 2 NOT WET, CLASS 3 WET  
 CLASS 2 XFMR, CLASS 3 XFMR  
 MADE IN CANADA



UL HOLOGRAPHIC LABEL



WHEN MOUNTING TO A PLANE SURFACE A SPACING THROUGH AIR OF NOT LESS THAN 1/4" BETWEEN THE SUPPORTING SURFACE AND ENCLOSURE MUST BE MAINTAINED. INSTALL IN METAL BOX ONLY USE WIRE RATED FOR AT LEAST 105 °C



OFFSET TO BOTTOM

**ELECTRICAL DATA:**

TESTS	CONDITIONS	ACCEPTANCE CRITERIA
Iex	@ 120V, 60Hz, BLK - BLK	65mA Max.
Sec. N.L.V	@ 120V, 60Hz, BLK - BLK	
	TER - TER =	29.08V ±2%
DCR	@ 20°C, BLK - BLK =	87.68 Ω ±20%
	@ 20°C, TER - TER =	3.540 Ω ±20%
HIPOT	PRIMARY - SECONDARY	1500V, 60Hz, 1 SEC

REV.#	REVISION	DATE	HAMMOND MANUFACTURING™		ELECTRONIC DIVISION	
0	RELEASED.	C.I. 05/30/25	52 RANKIN PLACE, WATERLOO, ONTARIO, N2J 3Z5		PH # (519) 886-6181 FAX # (519) 886-9540	
			DWG. BY: C. ILIE	CHK'D BY:	TITLE: CLASS 2 ENERGY LIMITING TX.	DWG. NO. BC2G
			DATE: 05/30/25	APP'D. BY:		
				DIMENSIONS: IN(X) MM( )		