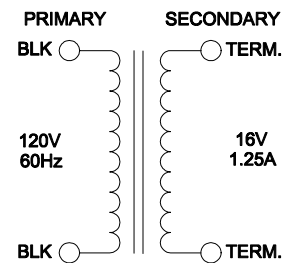
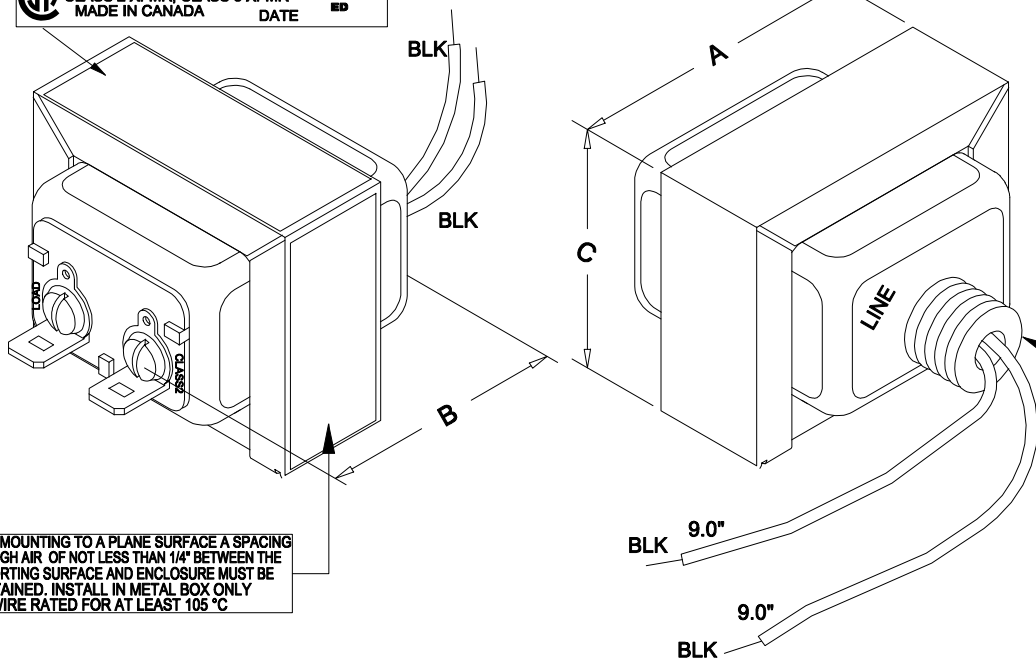


DIMENSIONS:	
A	2.33" ±0.063
B	2.34" ±0.125
C	1.98" ±0.063

BD2F

PRI BLK - BLK 120V 60Hz
 SEC 16V 20VA
 CLASS 2 NOT WET, CLASS 3 WET LISTED
 CLASS 2 XFMR, CLASS 3 XFMR 1P00
 MADE IN CANADA DATE ED



WHEN MOUNTING TO A PLANE SURFACE A SPACING THROUGH AIR OF NOT LESS THAN 1/4" BETWEEN THE SUPPORTING SURFACE AND ENCLOSURE MUST BE MAINTAINED. INSTALL IN METAL BOX ONLY USE WIRE RATED FOR AT LEAST 105 °C

ELECTRICAL DATA:		
TESTS	CONDITIONS	ACCEPTANCE CRITERIA
lex	@ 120V, 60Hz, BLK - BLK	85mA Max.
Sec. N.L.V	@ 120V, 60Hz, BLK - BLK	
	TER - TER =	20.00V ±2%
DCR	@ 20°C, BLK - BLK =	50.38 Ω ±20%
	@ 20°C, TER - TER =	0.883 Ω ±20%
HIPOT	PRIMARY - SECONDARY	1500V, 60Hz, 1 SEC

REV.#	REVISION	DATE	HAMMOND MANUFACTURING™		ELECTRONIC DIVISION 52 RANKIN PLACE, WATERLOO, ONTARIO, N2J 3Z5		PH # (519) 886-6181 FAX # (519) 886-9540
0	RELEASED.	05/05/15	DWG. BY: C. ILIE	CHK'D BY:	TITLE: CLASS 2 ENERGY LIMITING TX.	DWG. NO. BD2F	
			DATE: 05/05/15	APP'D. BY:	DIMENSIONS: IN(X) MM()		