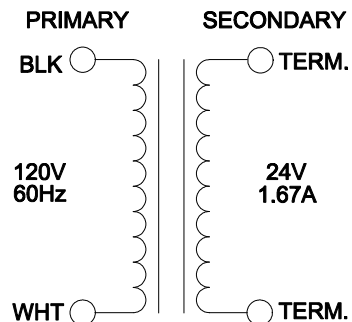
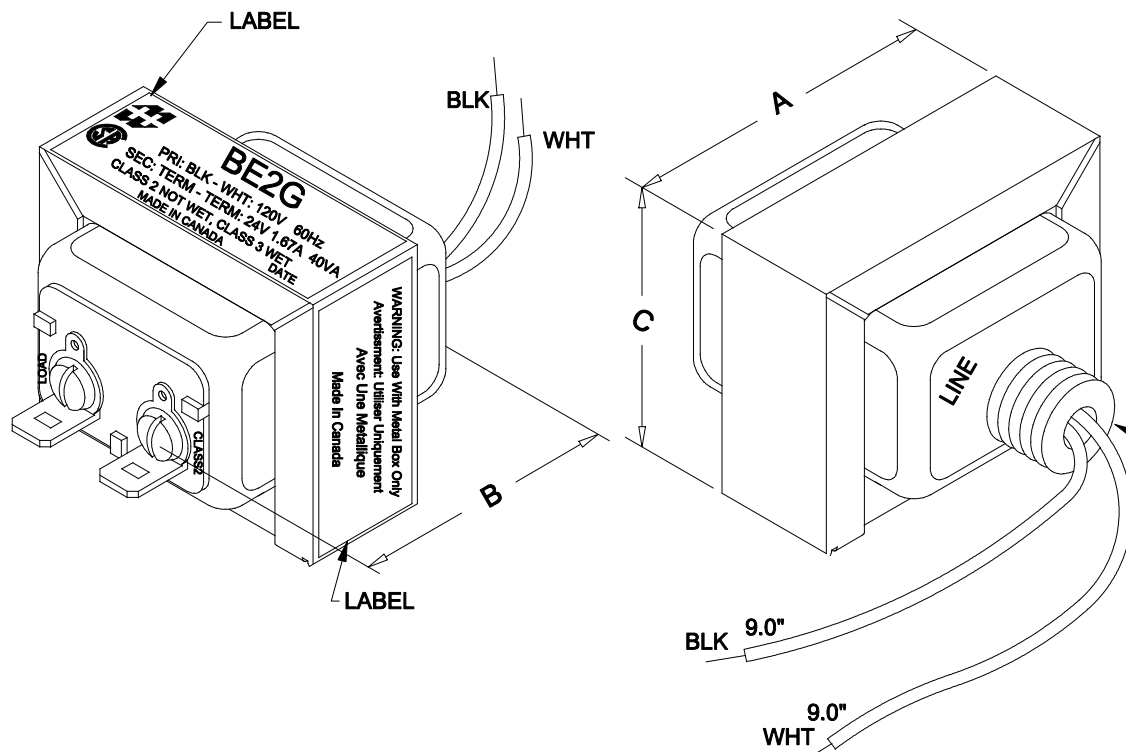


DIMENSIONS:	
A	2.33" ±0.063
B	2.60" ±0.125
C	1.98" ±0.063



ELECTRICAL DATA:		
TESTS	CONDITIONS	ACCEPTANCE CRITERIA
lex	@ 120V, 60Hz, BLK - WHT	150mA Max.
Sec. N.L.V	@ 120V, 60Hz, BLK - WHT	
	TER - TER =	27.35V ±2%
DCR	@ 20°C, BLK - WHT =	21.32 Ω ±20%
	@ 20°C, TER - TER =	0.782 Ω ±20%
HIPOT	PRIMARY - SECONDARY	1500V, 60Hz, 1 SEC

REV.#	REVISION	DATE	HAMMOND ELECTRONIC DIVISION	
0	RELEASED. C.I.	02/09/16	52 RANKIN PLACE, WATERLOO, ONTARIO, N2J 3Z5	
			DWG. BY: C. ILIE	PH # (519) 886-6181
			DATE: 02/09/16	FAX # (519) 886-9540
			CHK'D BY:	TITLE: CLASS 2 ENERGY LIMITING TX.
			APP'D. BY:	DWG. NO. BE2G
			DIMENSIONS: IN(X) MM()	