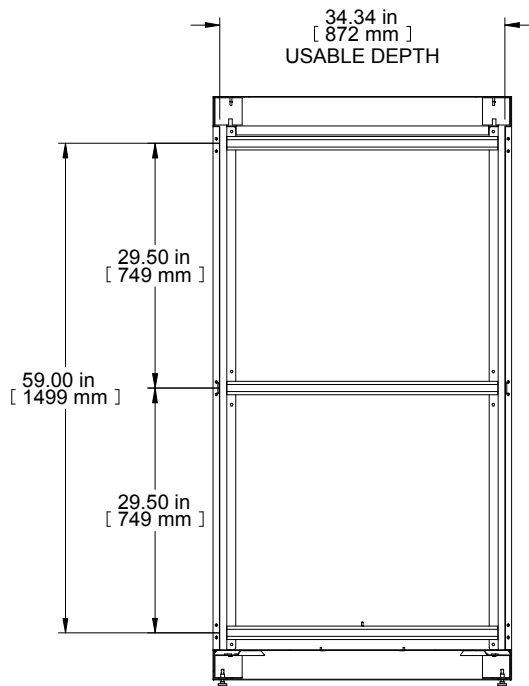
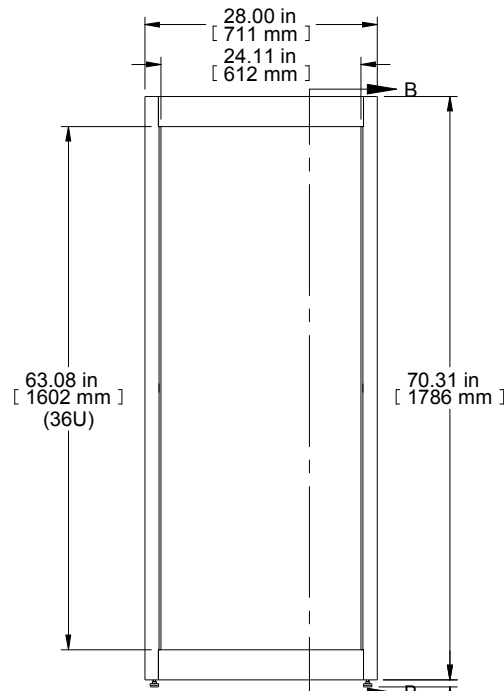


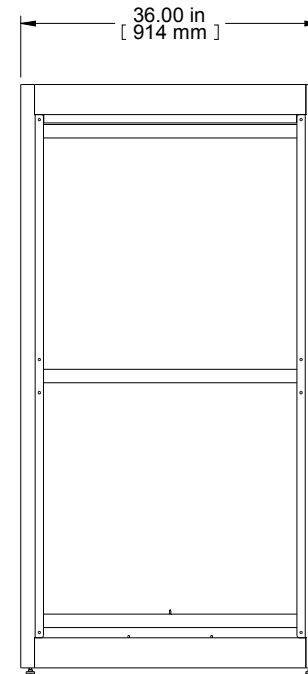
TOP VIEW
TOP OPENING



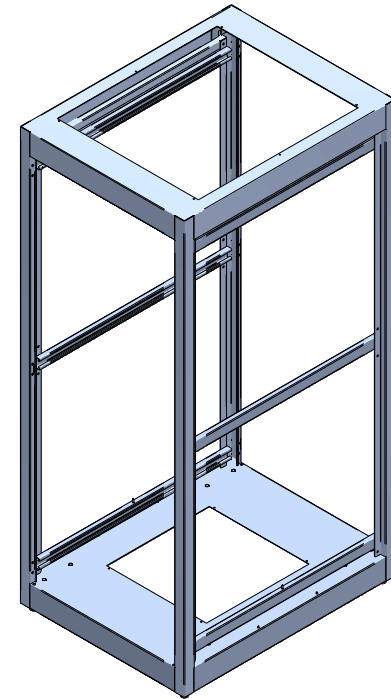
34.34 in
[872 mm]
USABLE DEPTH



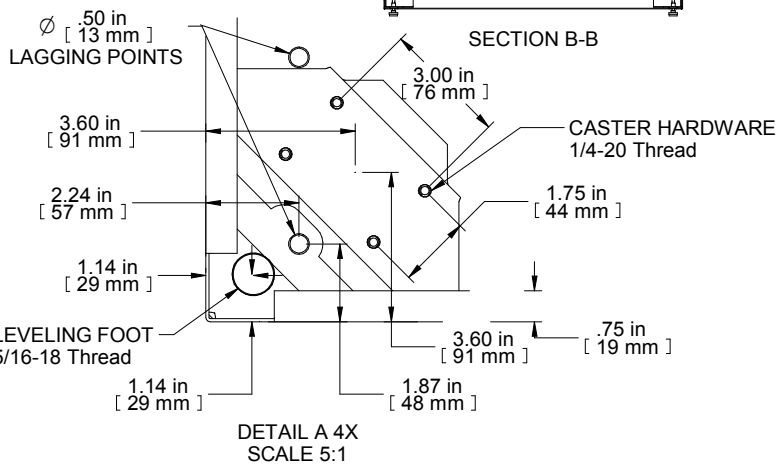
FRONT VIEW



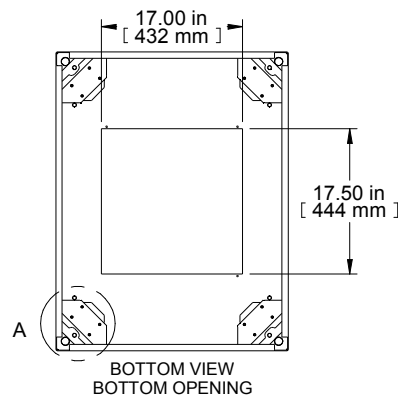
R.S. VIEW



ISOMETRIC



DETAIL A 4X
SCALE 5:1



BOTTOM VIEW
BOTTOM OPENING

PART NUMBERS	
C2F246336BK1	PAINTED BLACK TEXTURE
C2F246336LG1	PAINTED LIGHT GRAY TEXTURE

NOTES
Welded Assembly
See Hammond Website for Frame Accessories.

Data subject to change without notice. Isometric drawing not to scale.
Les données sont sujettes à changement sans préavis.

