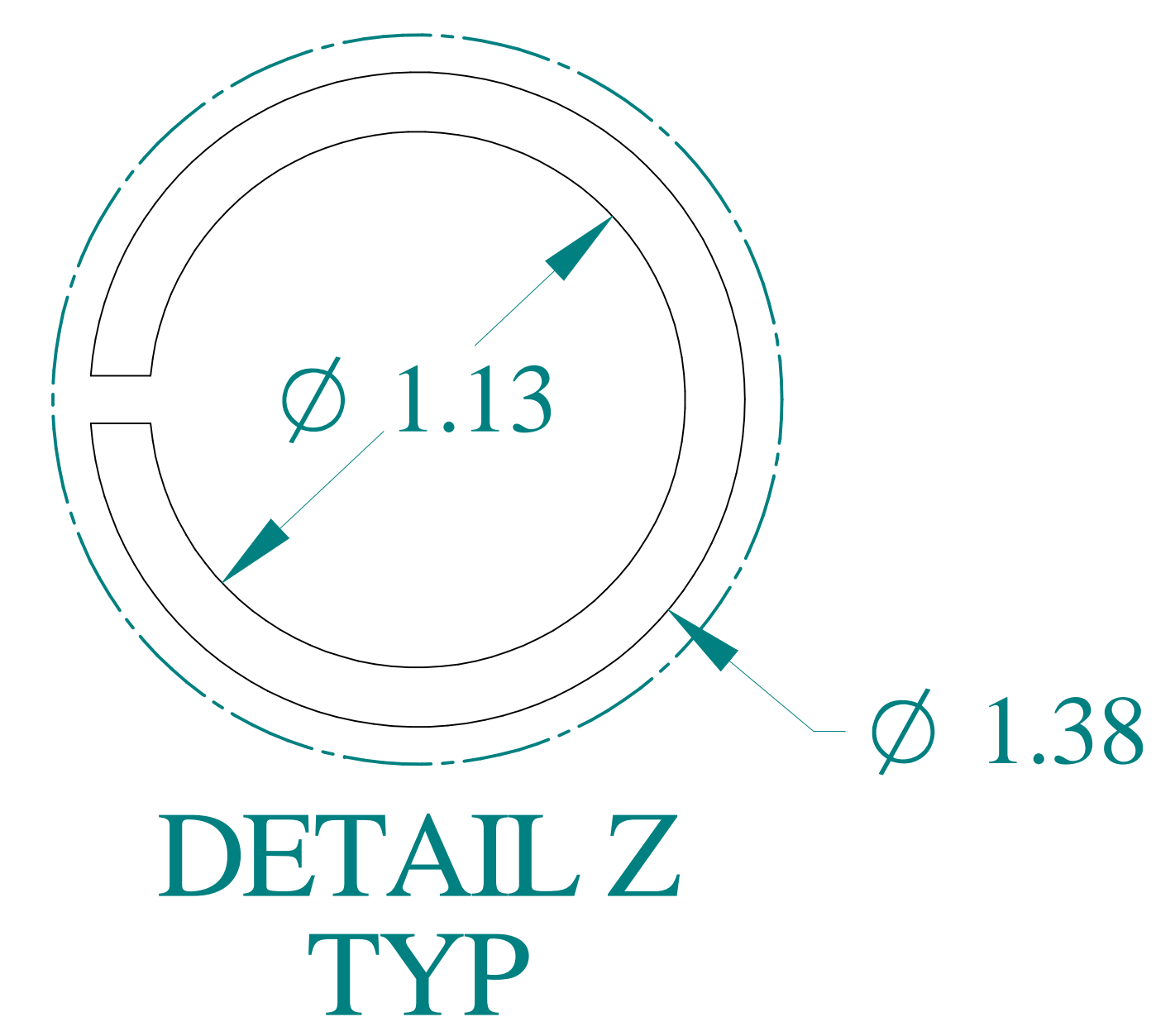
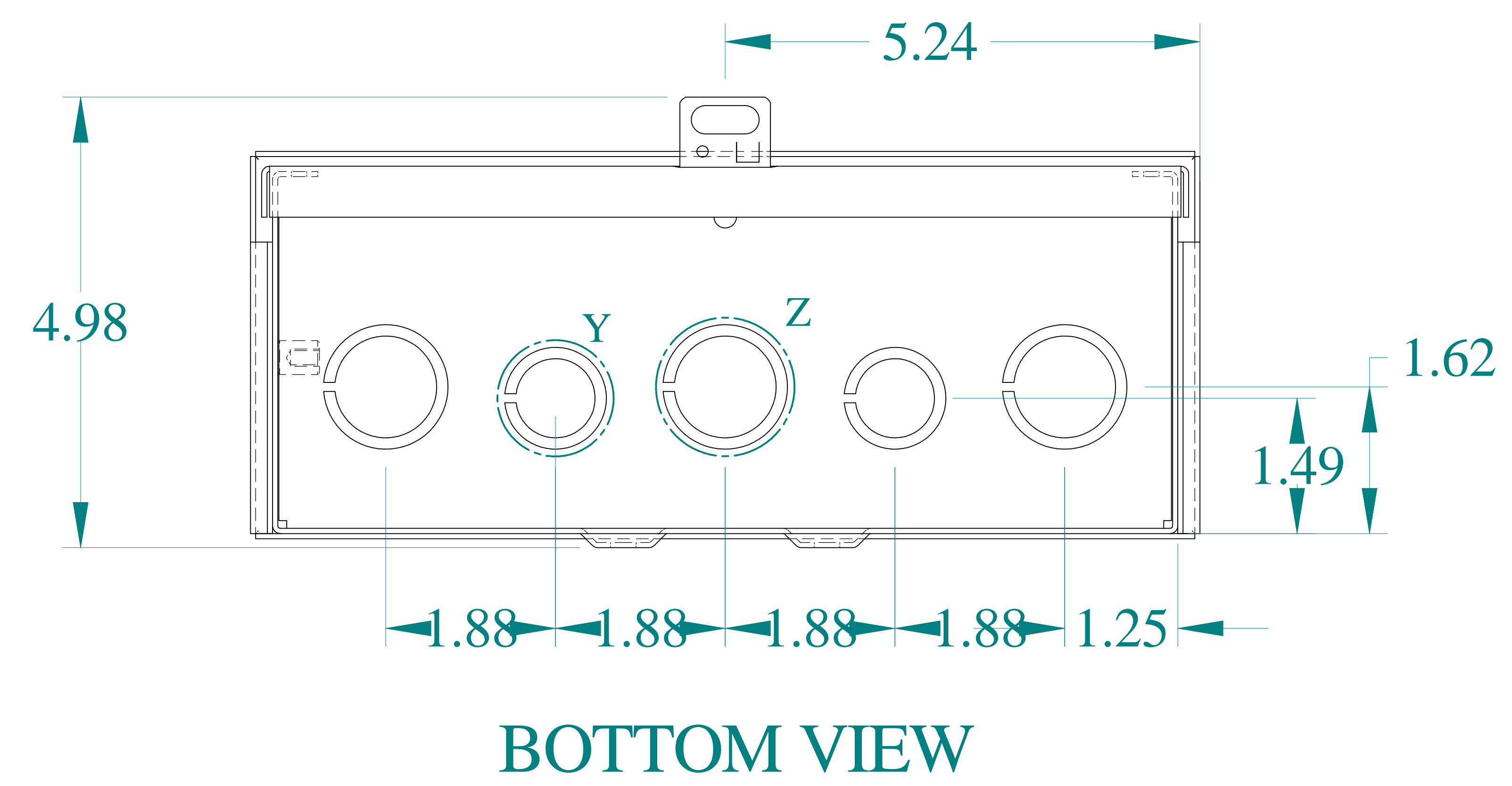
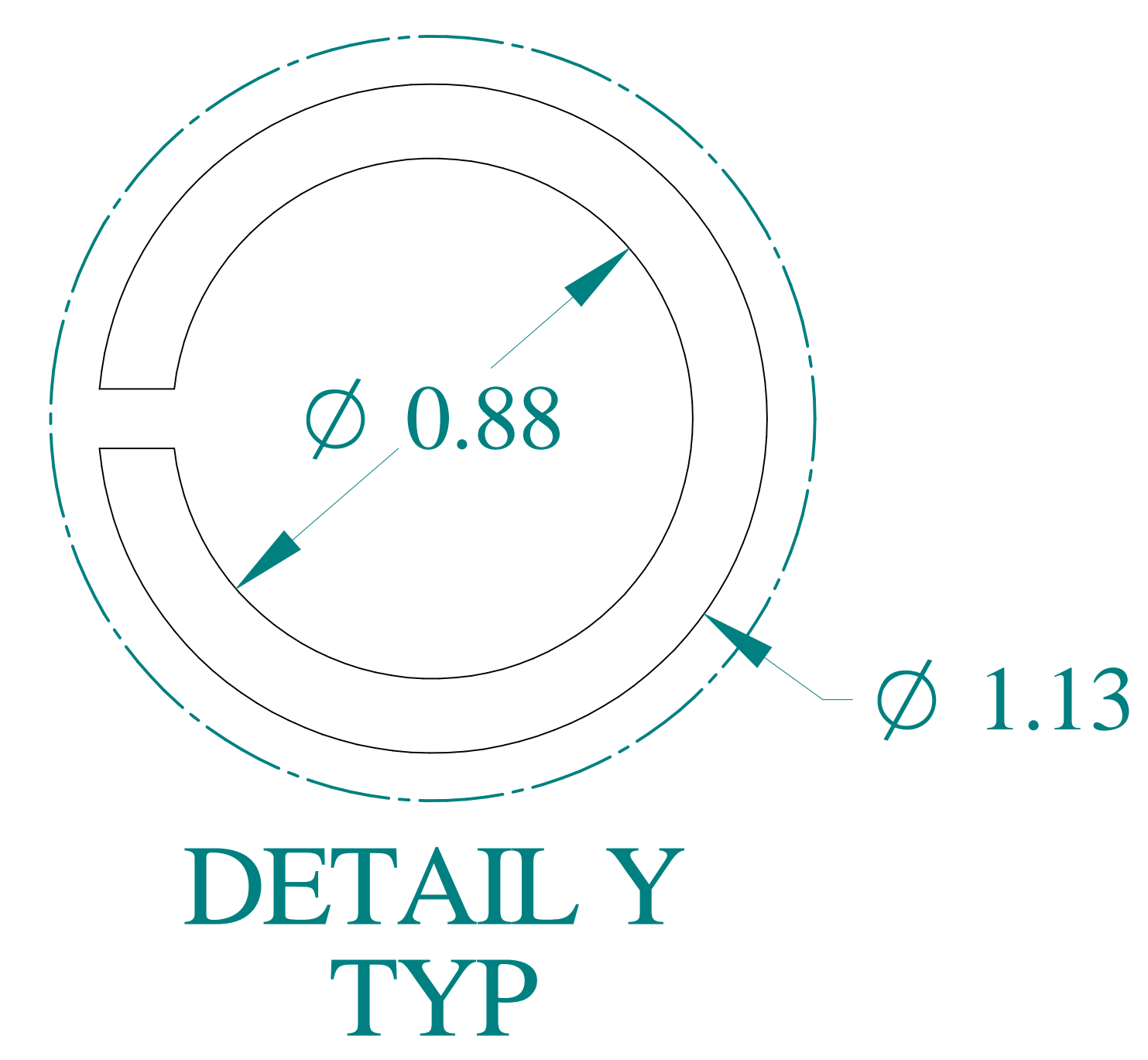
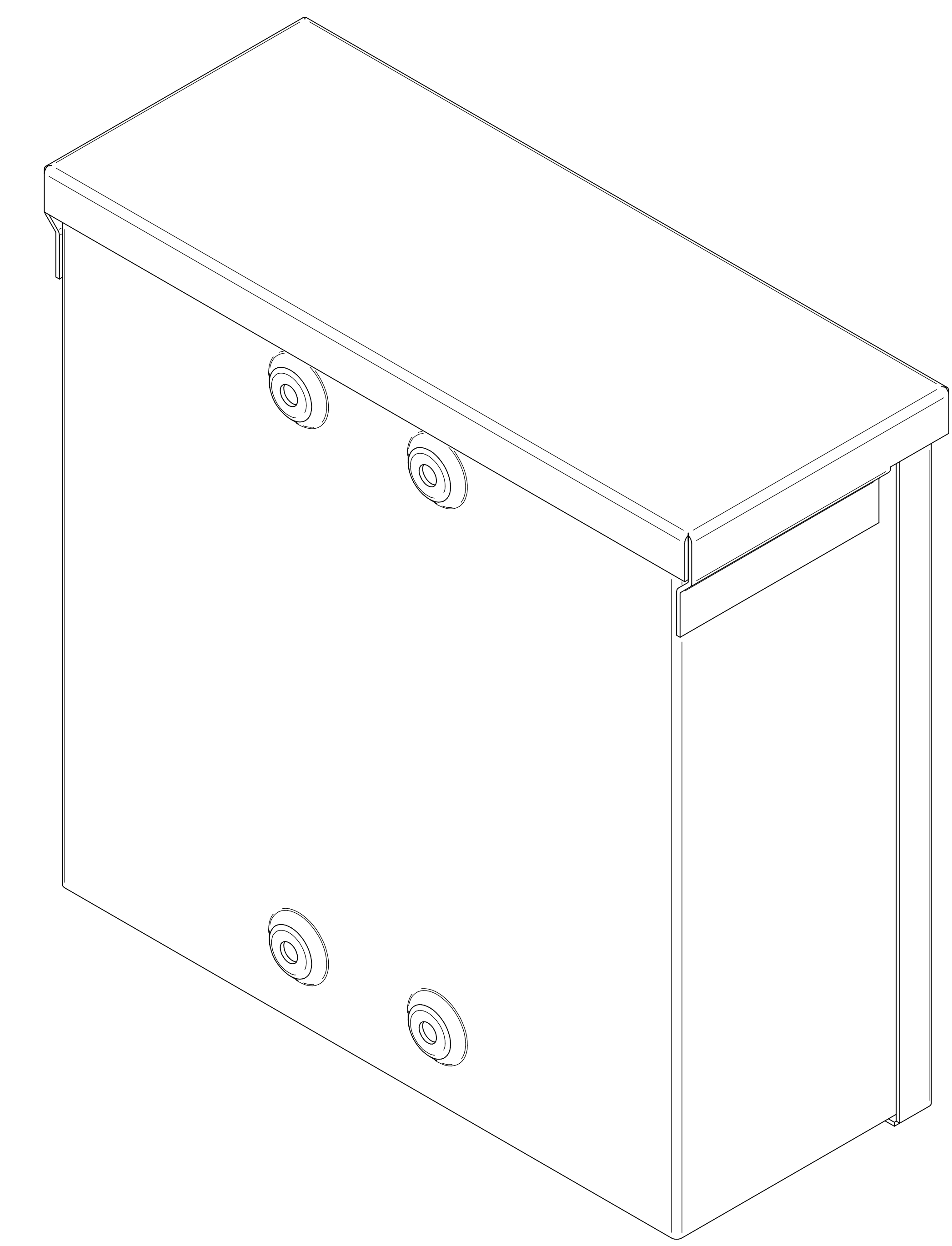
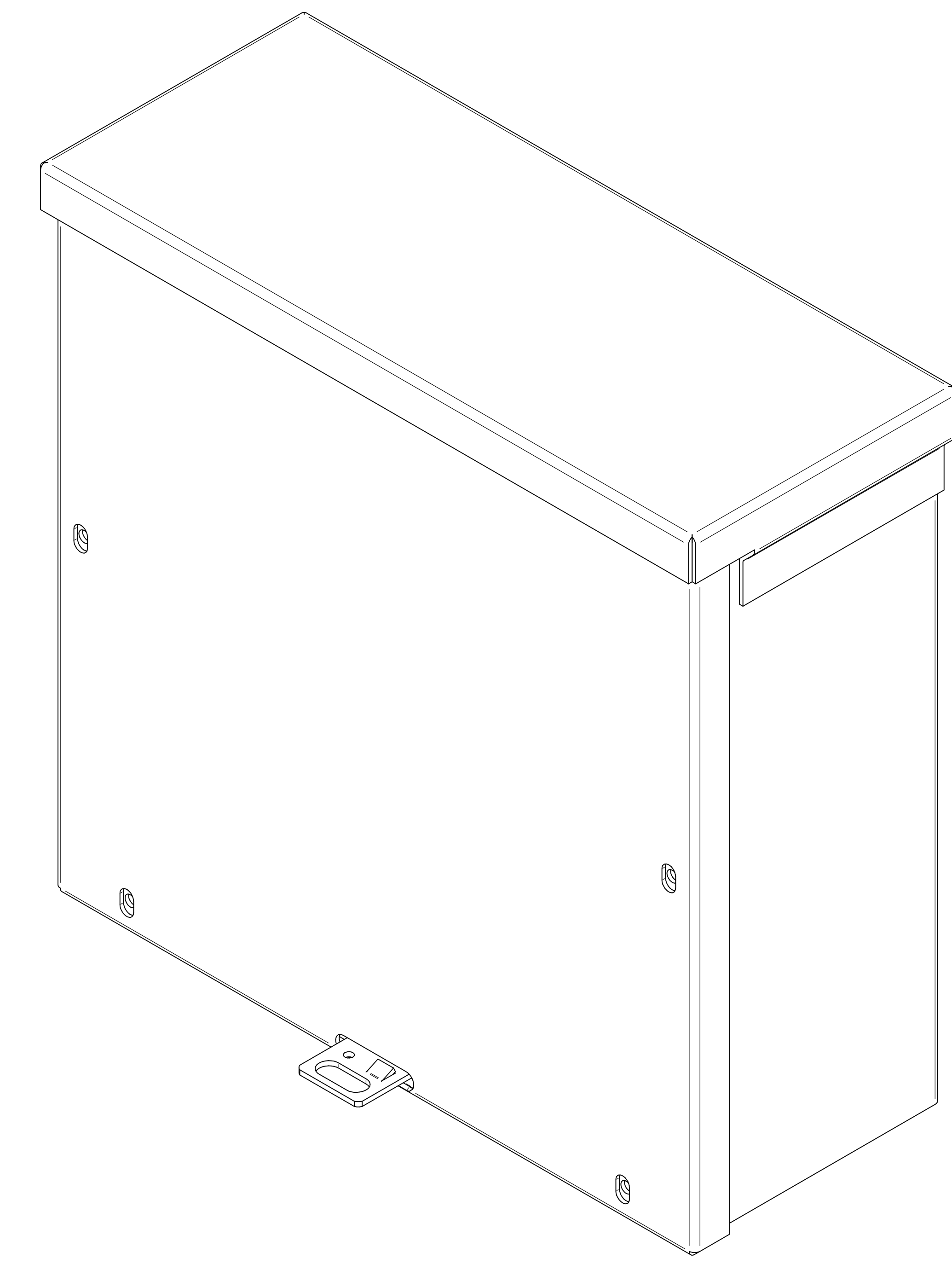


ISOMETRIC VIEWS



Data subject to change without notice.

Part #: C3R10104SC Date: Aug. 29, 2023

Link: www.hammf.com/C3R10104SC