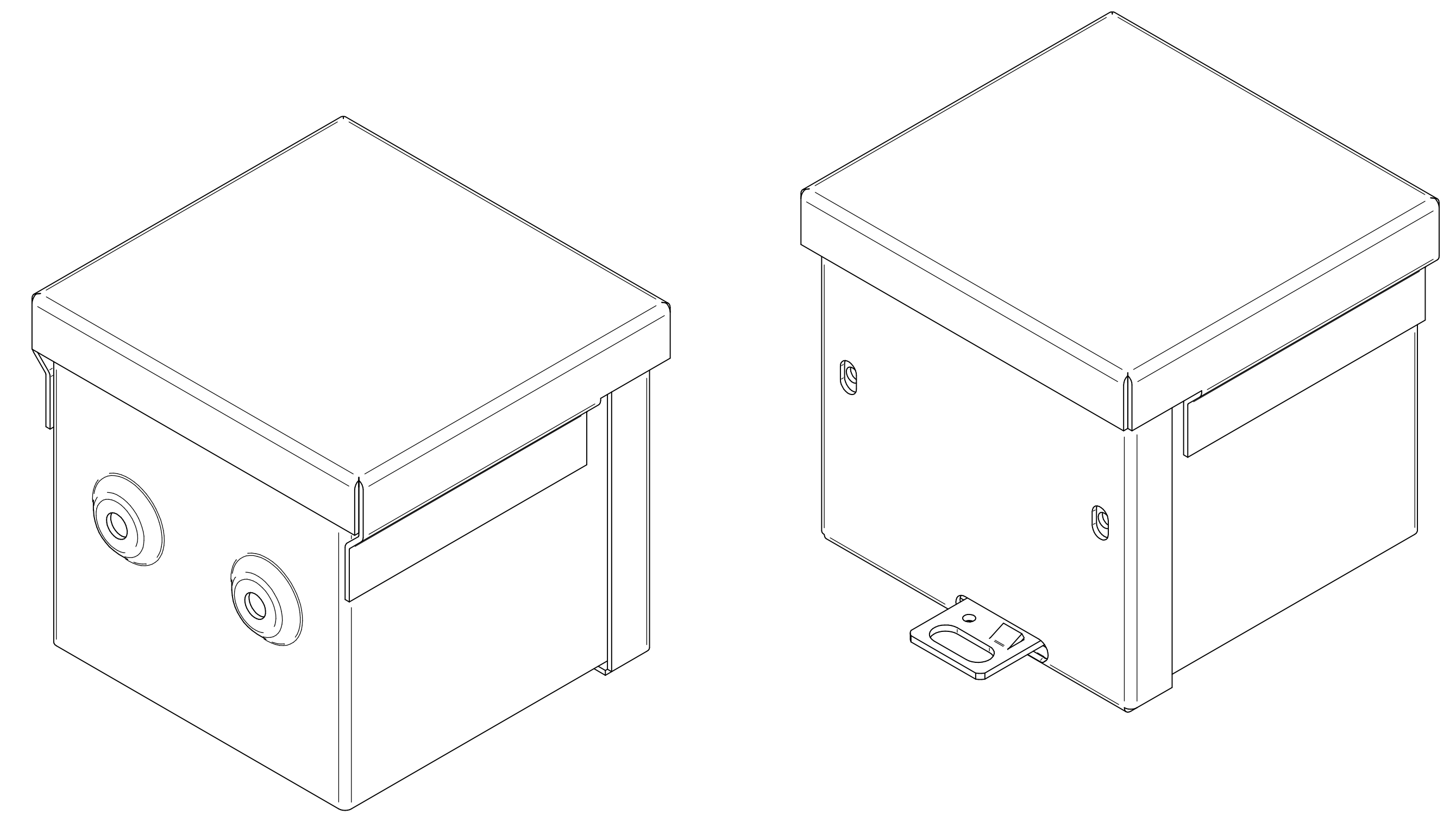
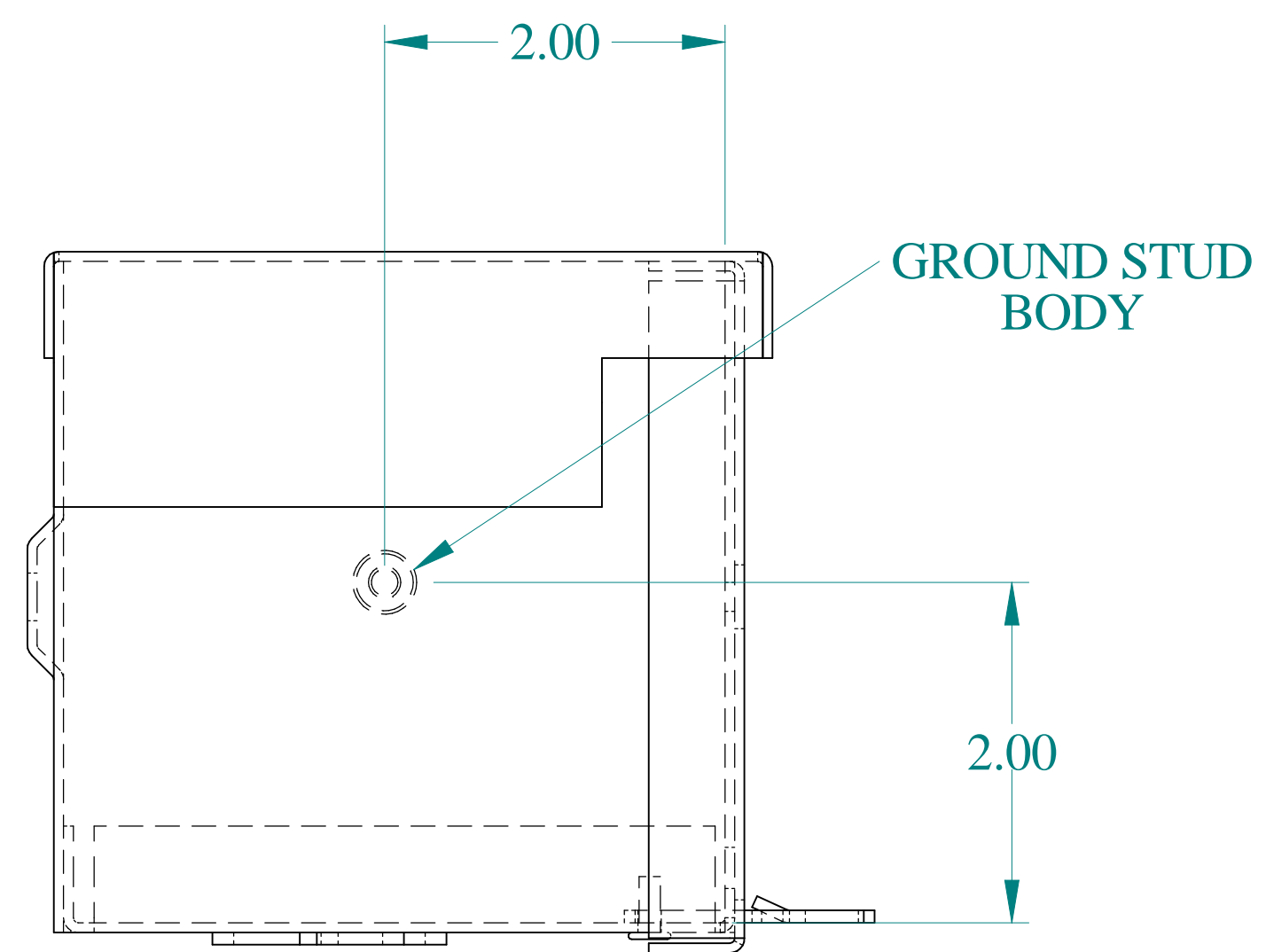


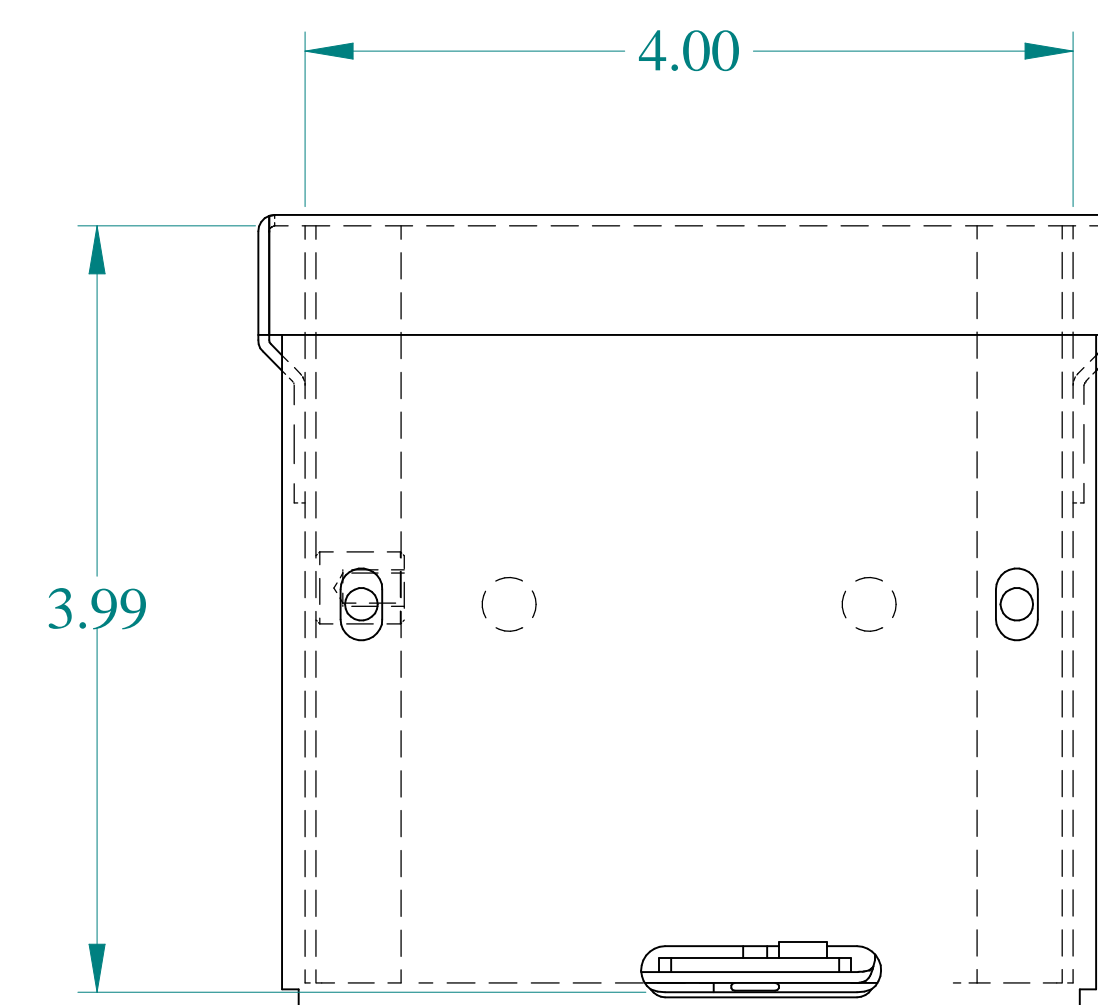
TOP VIEW



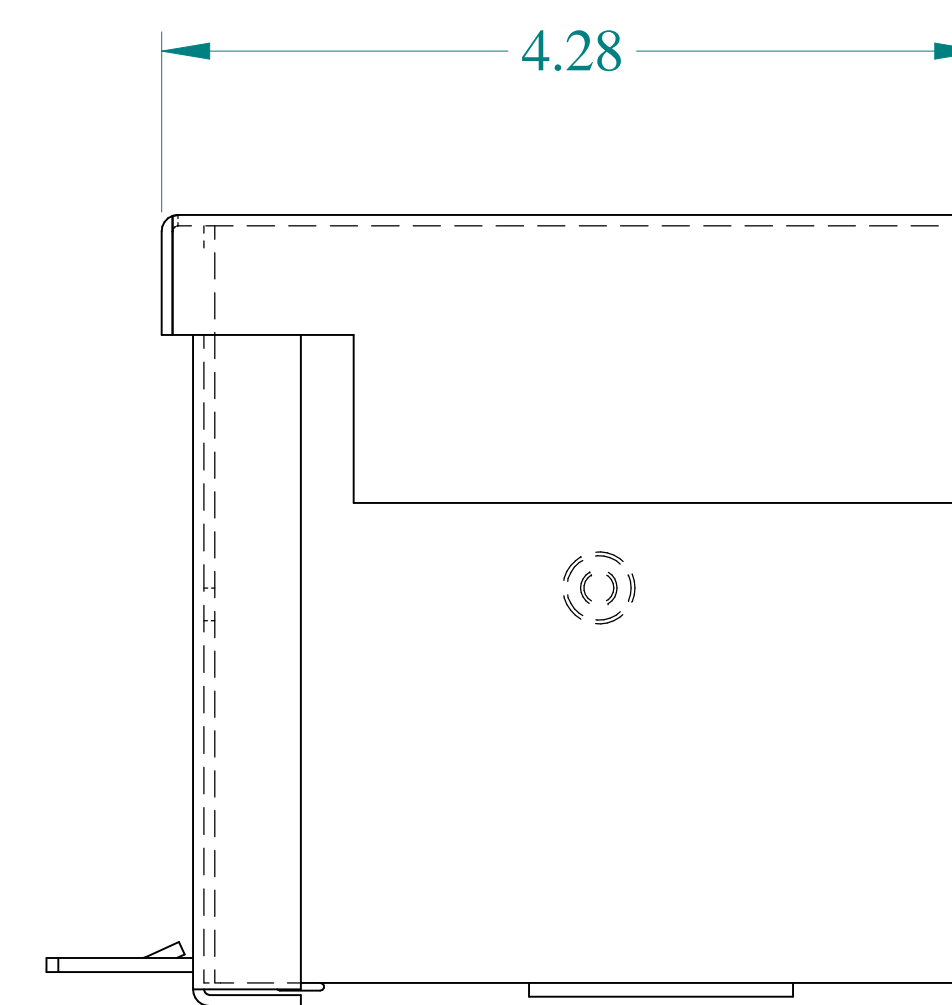
ISOMETRIC VIEWS



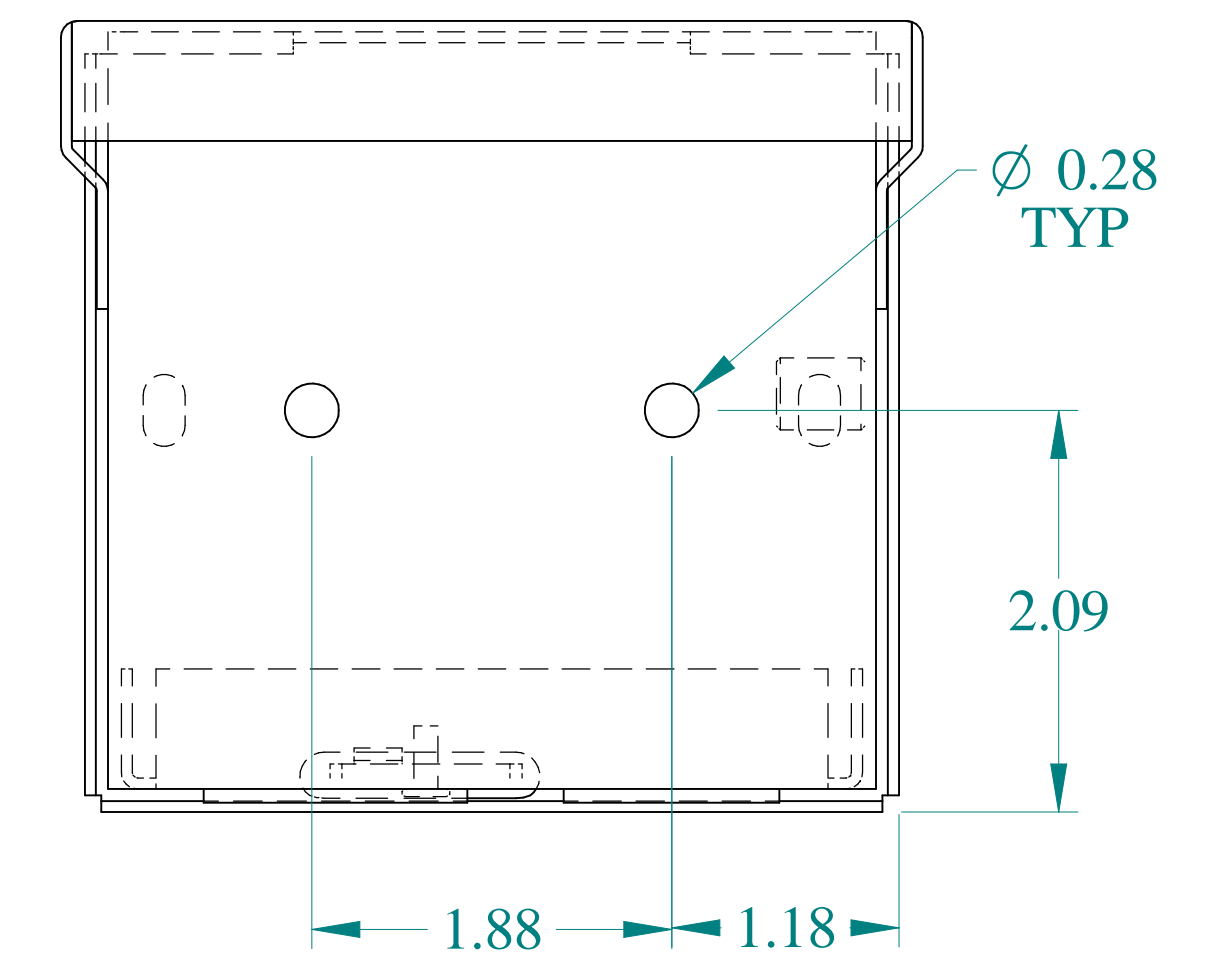
SIDE VIEW



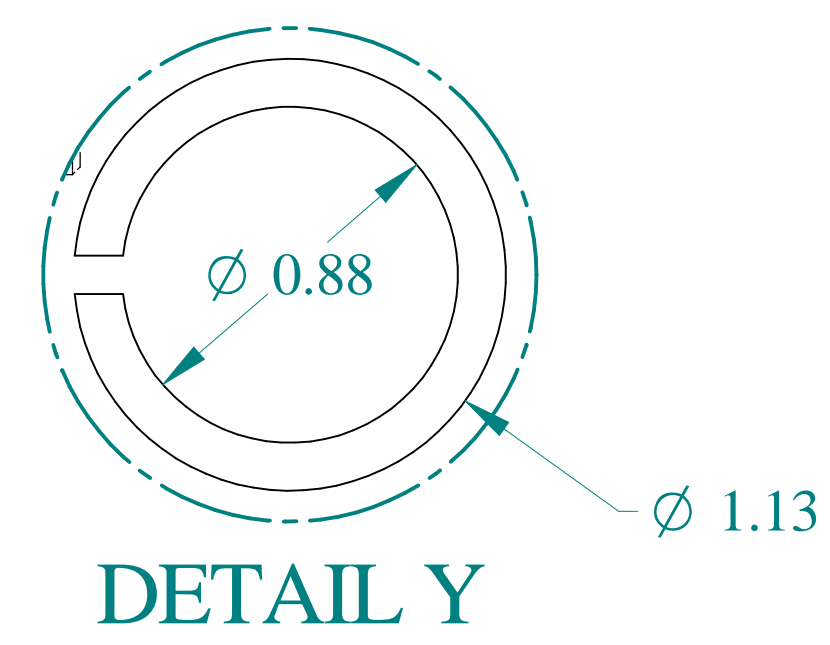
FRONT VIEW



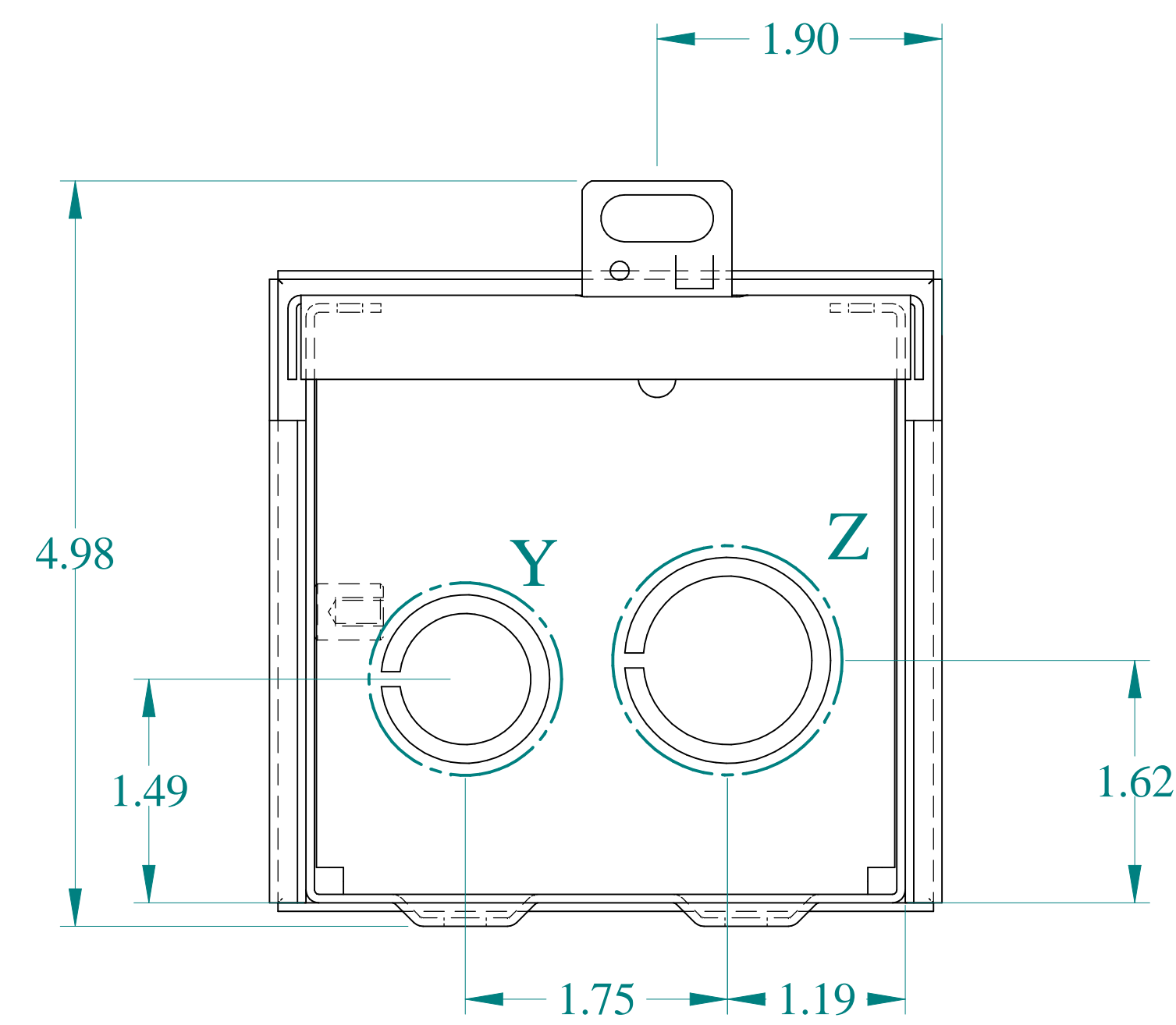
SIDE VIEW



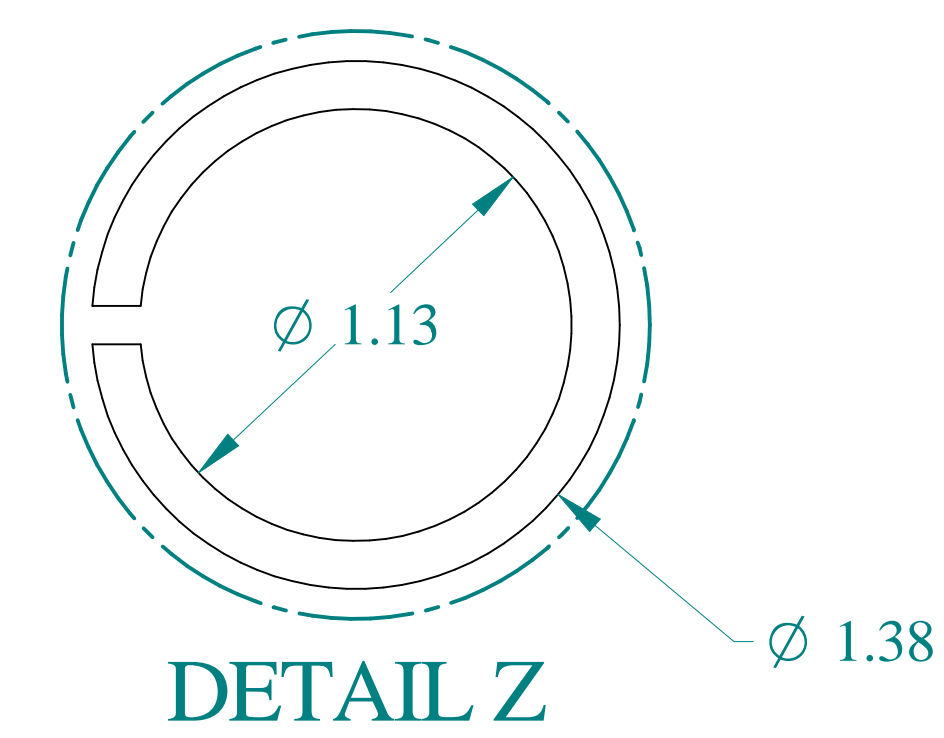
BACK VIEW



DETAIL Y



BOTTOM VIEW



DETAIL Z



HAMMOND
MANUFACTURING®

www.hammondmfg.com

Data subject to change without notice.

Part #: C3R444SC

Date: Aug. 29, 2023

Link: www.hammf.com/C3R444SC