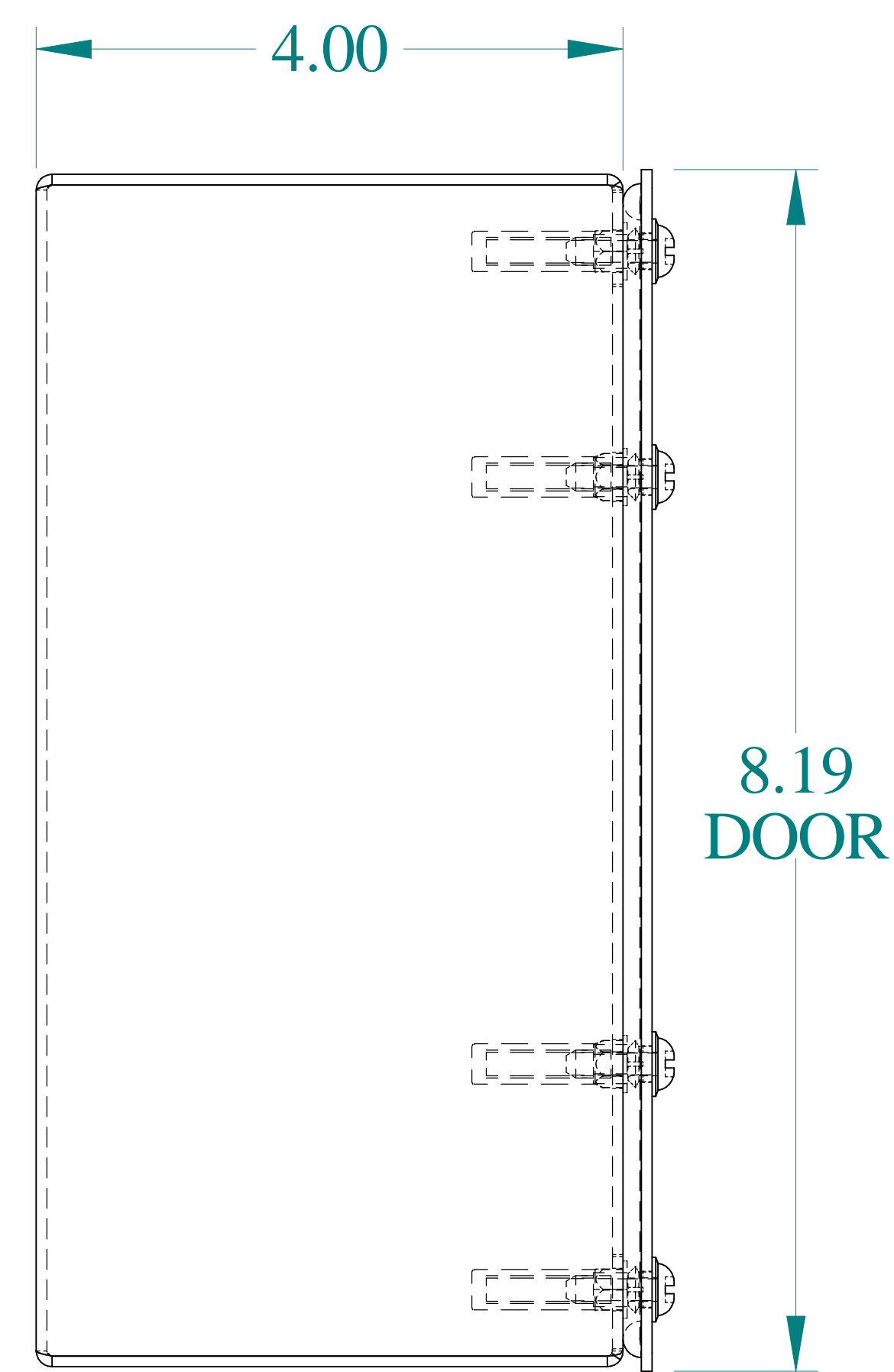
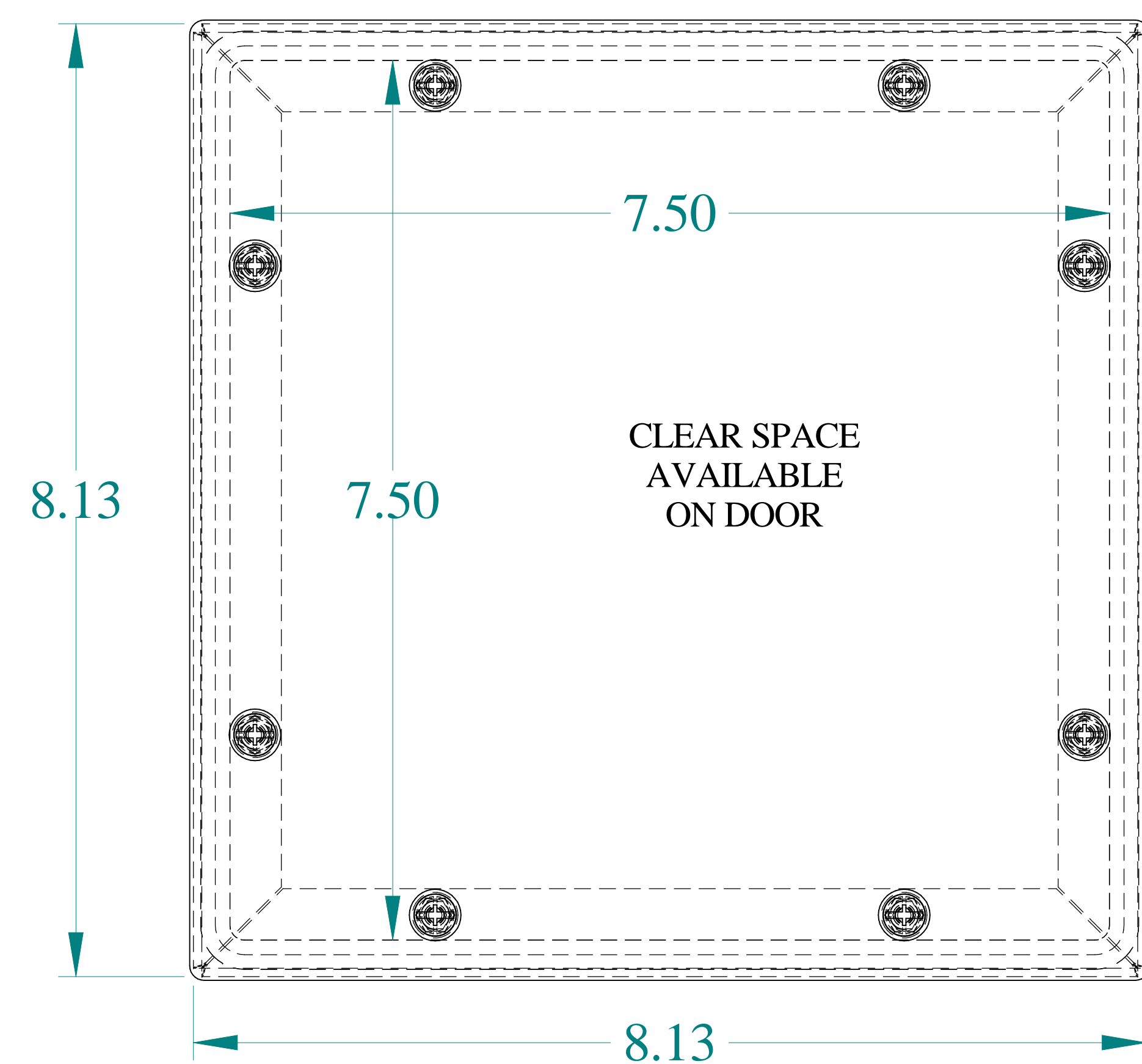


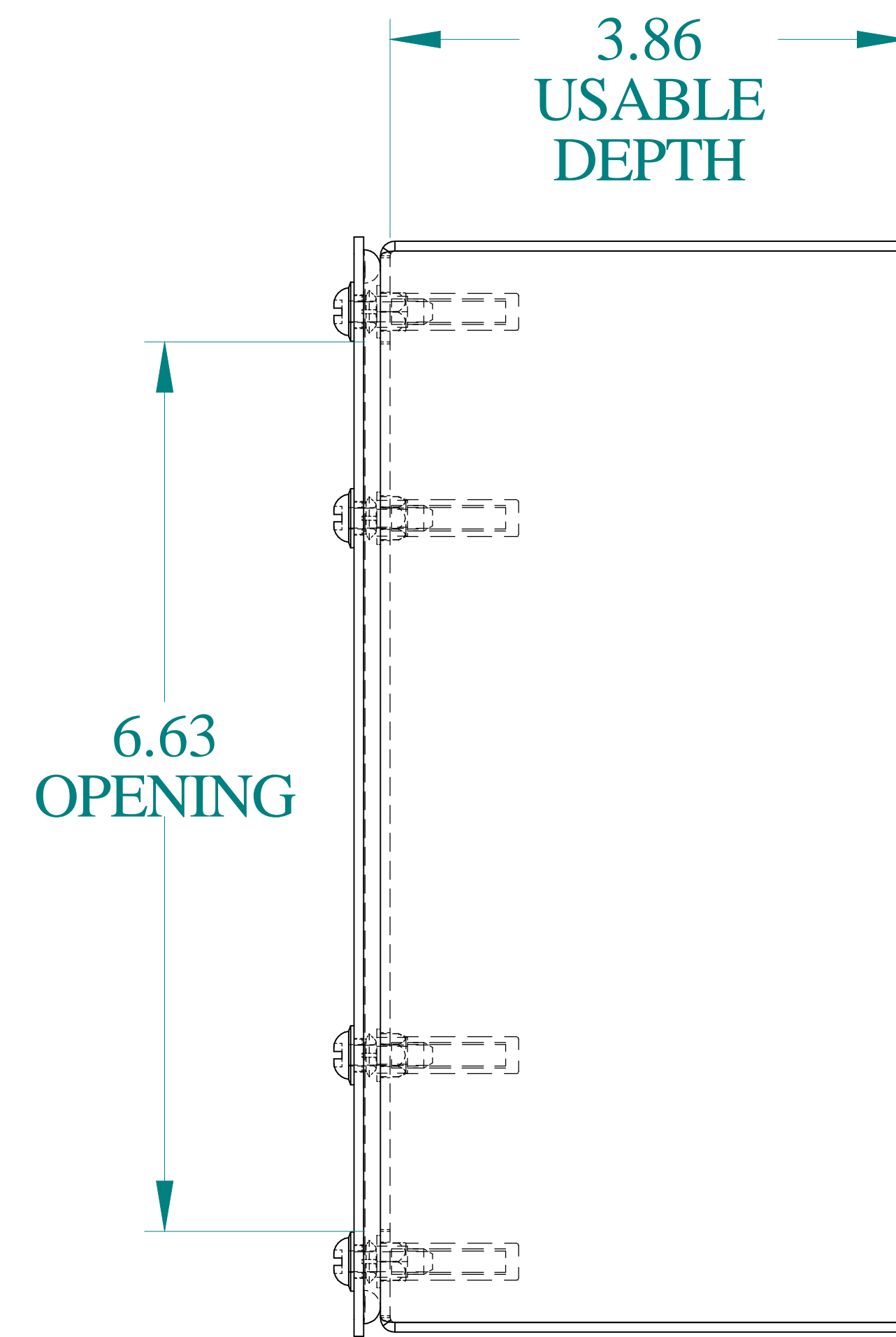
TOP VIEW



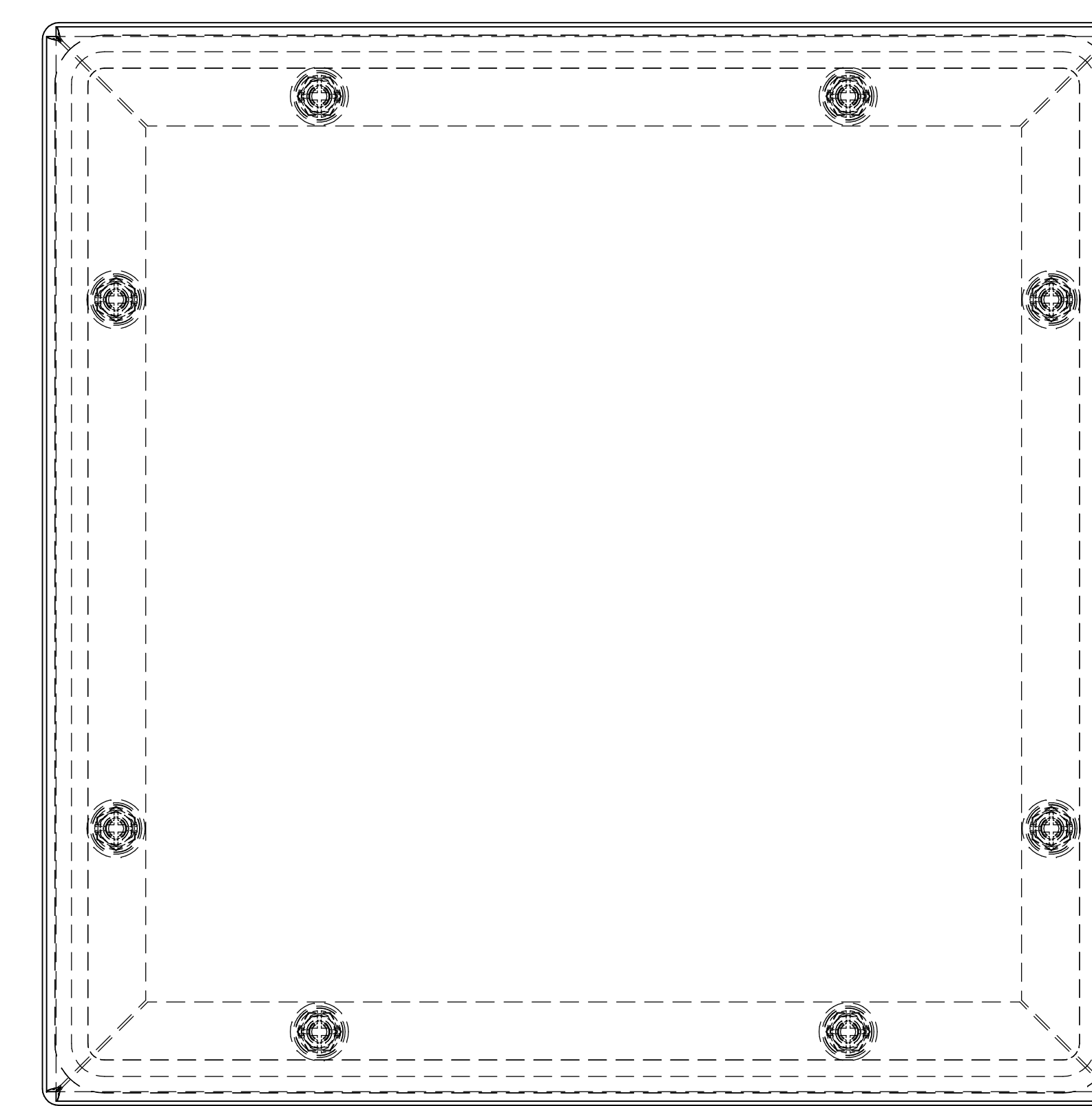
SIDE VIEW



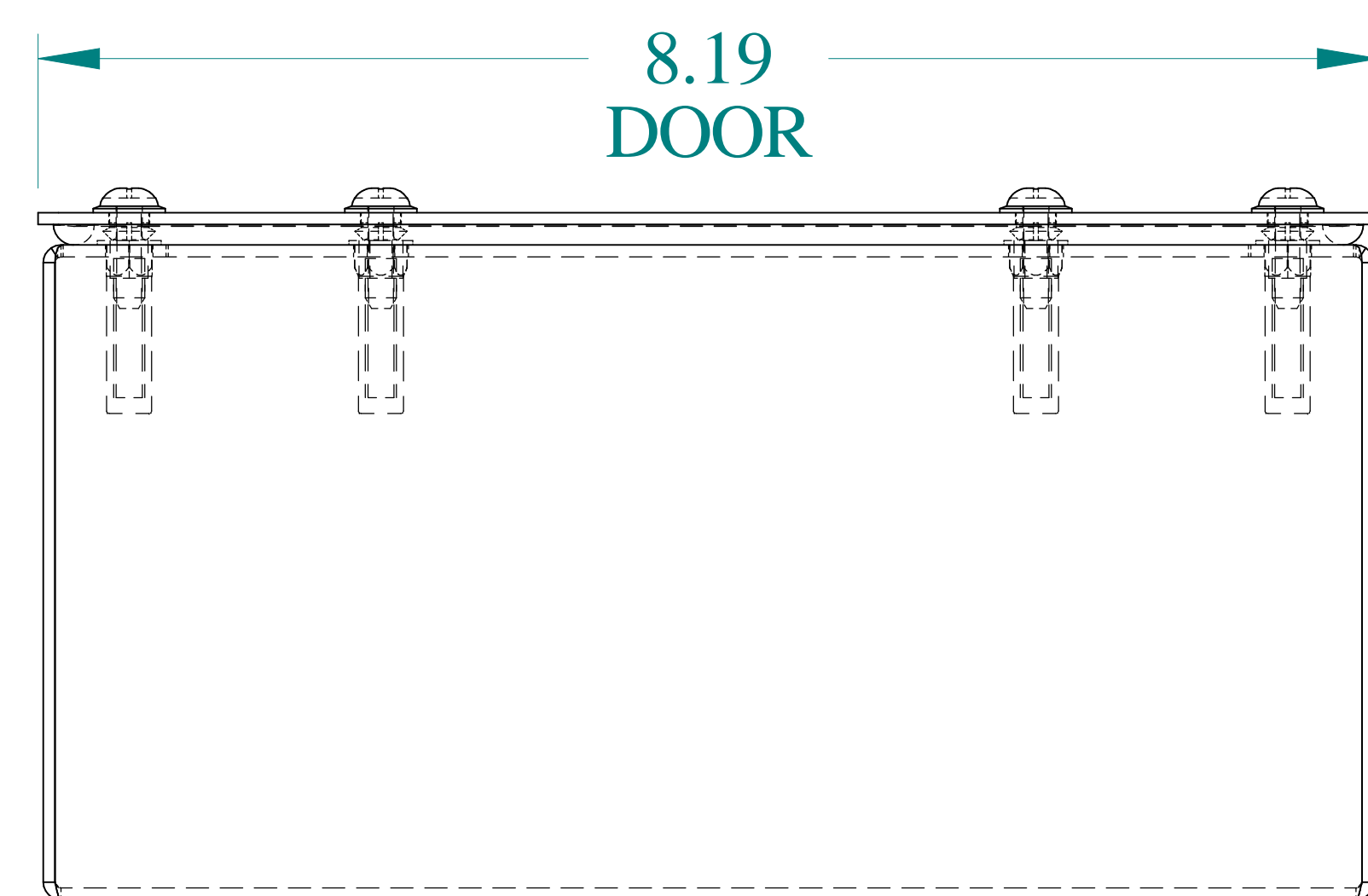
FRONT VIEW



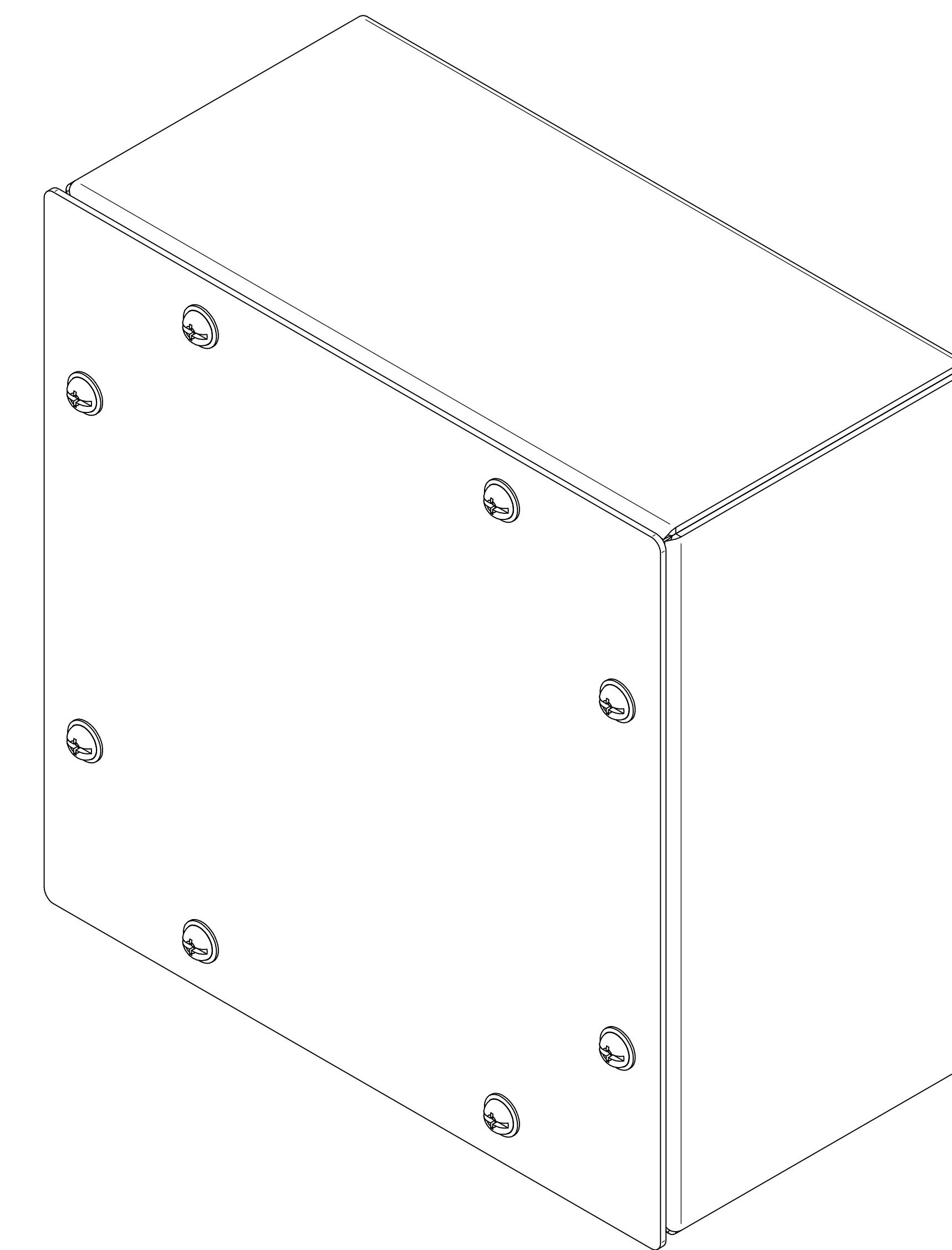
SIDE VIEW



BACK VIEW



BOTTOM VIEW



ISOMETRIC VIEW

