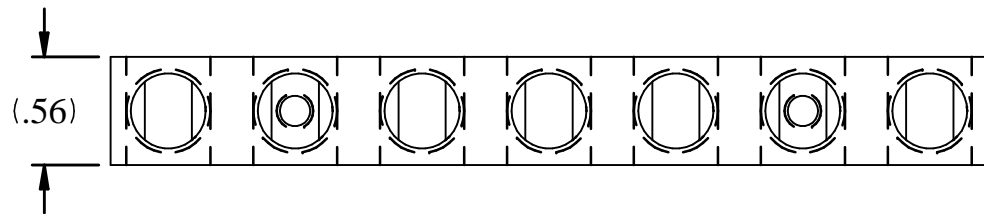


PART No. CGK600

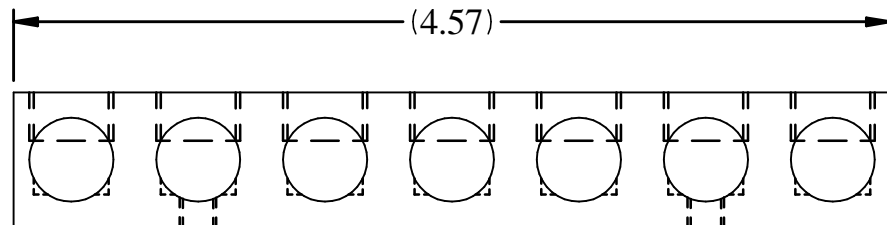
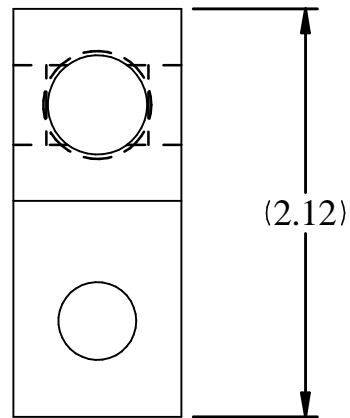
for more information visit
www.hammondmfg.com

Data subject to change without notice

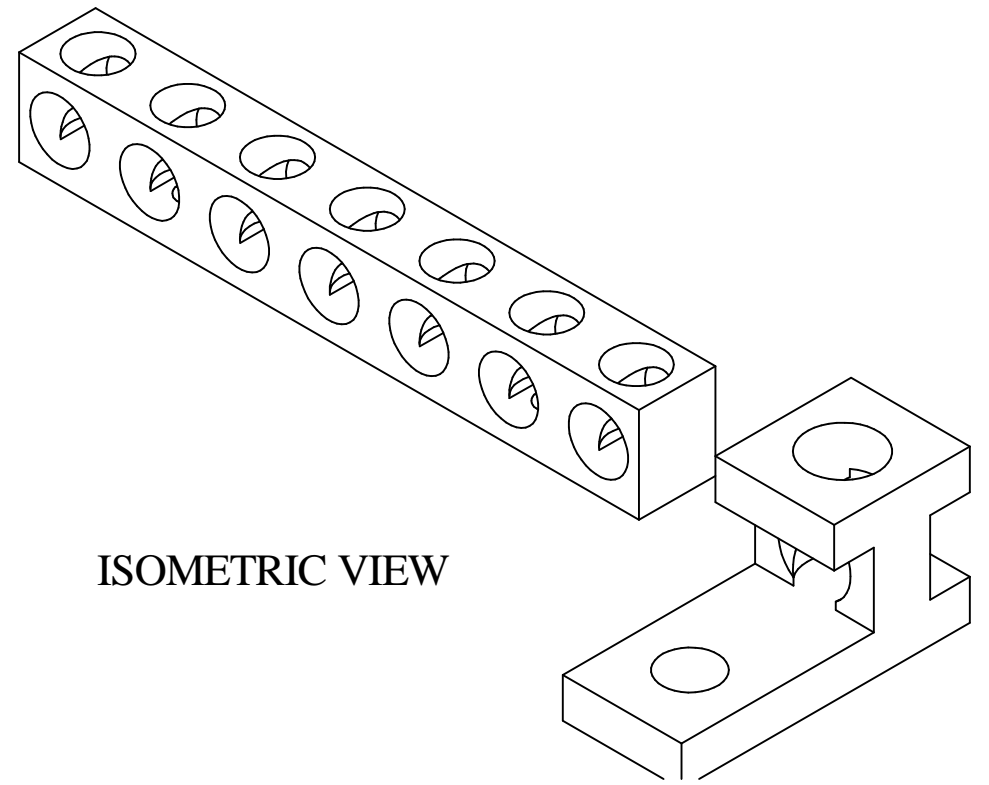
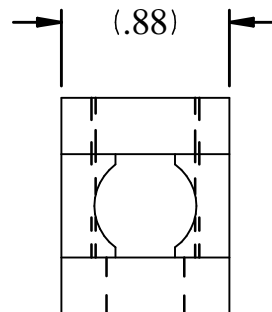
Isometric drawing Not to Scale



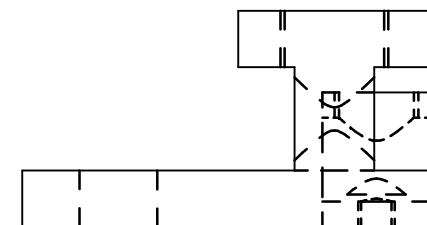
TOP VIEW



FRONT VIEW



ISOMETRIC VIEW



SIDE VIEW