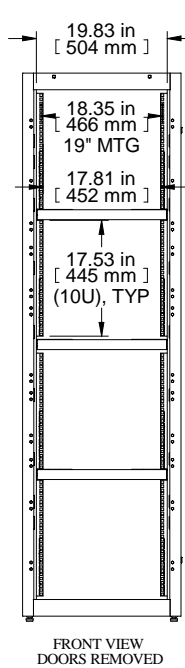
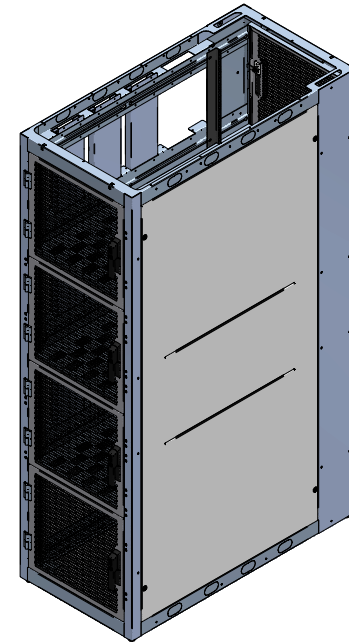
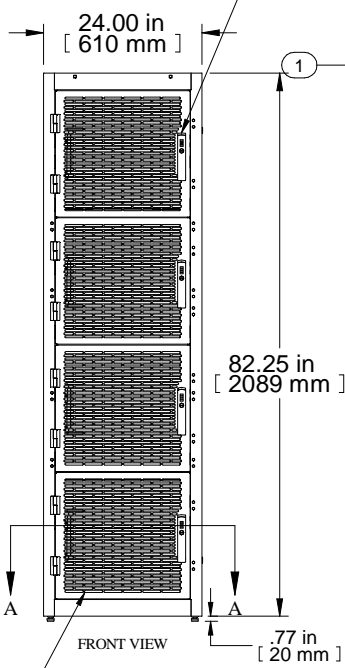


TOP VIEW
CONTAINMENT PROVISIONS



FRONT VIEW
DOORS REMOVED



FRONT VIEW

.77 in [20 mm]

82.25 in [2089 mm]

24.00 in [610 mm]

COMBINATION
LOCK HANDLE
TYP

19.83 in [504 mm]

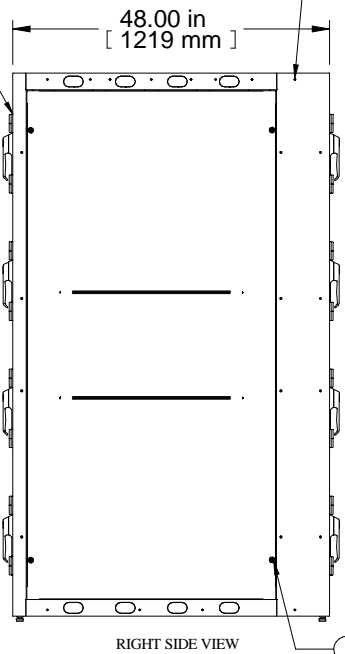
18.35 in [466 mm]
19" MTG

17.81 in [452 mm]

17.53 in [445 mm]
(10U), TYP

82.25 in [2089 mm]

.77 in [20 mm]



RIGHT SIDE VIEW

LOCKABLE
SIDE/BARRIER
PANEL

12

CONTAINMENT
PROVISIONS

CONTAINMENT
PROVISIONS

CONTAINMENT
PROVISIONS

7 8

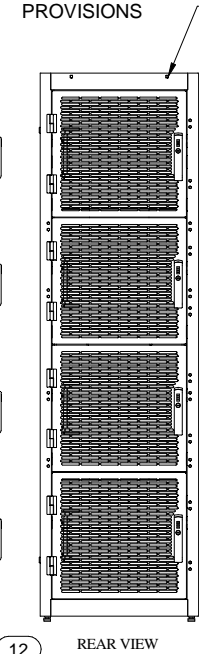
22.75 in [578 mm]

44.25 in [1124 mm]

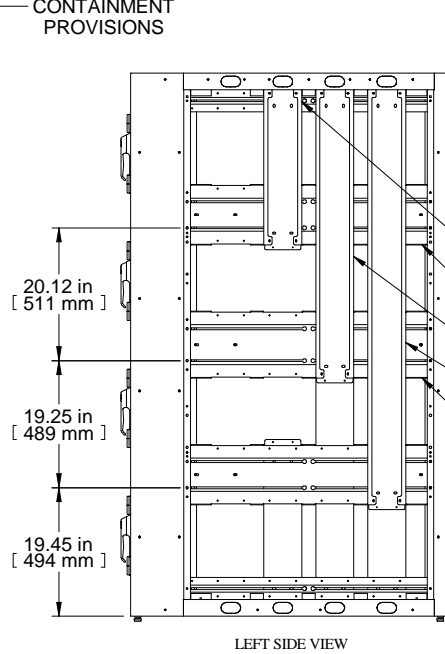
CONTAINMENT
PROVISIONS

CONTAINMENT
PROVISIONS

CONTAINMENT
PROVISIONS



REAR VIEW



LEFT SIDE VIEW

Item Number	Title	Quantity
1	COLO FRAME	1
3	HORIZ. MOUNTING CHANNEL	2
4	HORIZ. MOUNTING CHANNEL	4
5	COLO - 4B PNL RAIL SQ. HOLE	8
6	COLO - 4B PNL RAIL SQ. HOLE	8
7	COLO - FIXED DIVIDER SHELF	3
8	COLO - SHELF CUTOUT COVER PLATE	6
9	CL - 4 BAY CM FOR 2ND BAY (23)	2
10	CL - 4 BAY CM FOR 3RD BAY (43)	2
11	CL - 4 BAY CM FOR 4TH BAY (62)	2
12	CL - SIDE PANEL (44U X 42/48)	1
13	COLO - 4 BAY FLUSH VENTED DOOR	8

PART NUMBERS
CLC4B48 PAINTED BLACK TEXTURED

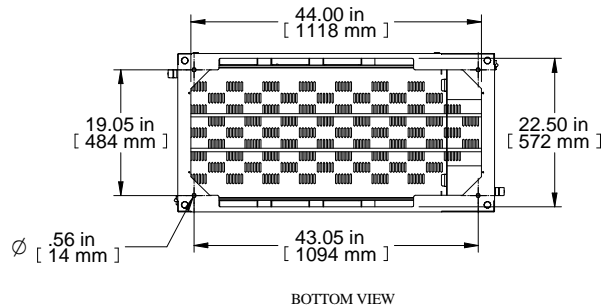
NOTES
4 Bay Cabinet Assembly

See Hammond Website for Additional Accessories

Français

Pour tous les détails sur nos produits,
svp veuillez consulter notre site www.hammondmfg.com

Data subject to change without notice. Isometric drawing not to scale.
Les données sont sujettes à changement sans préavis.



BOTTOM VIEW



www.hammondmfg.com

PART NO.

CLC4B48