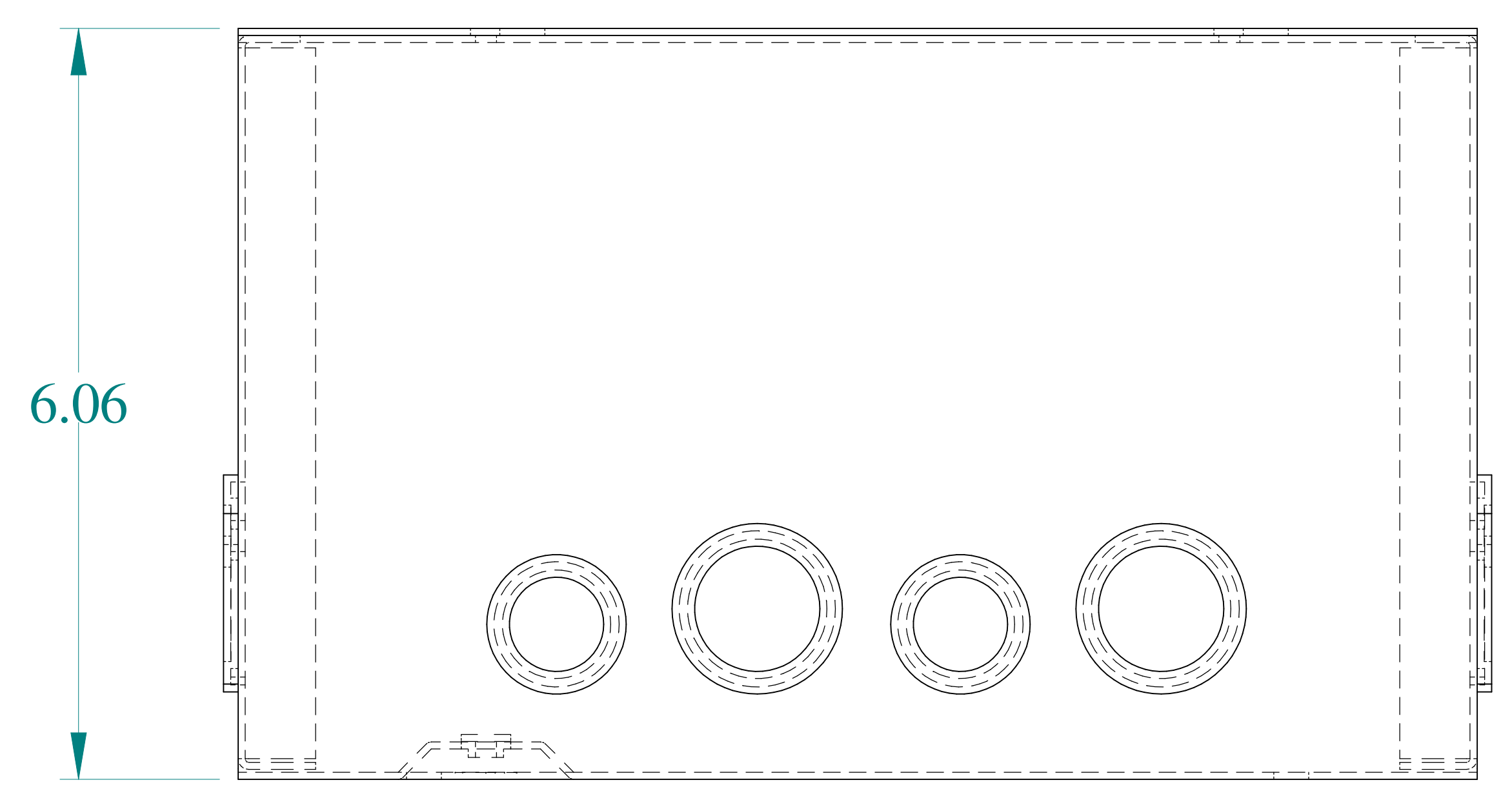
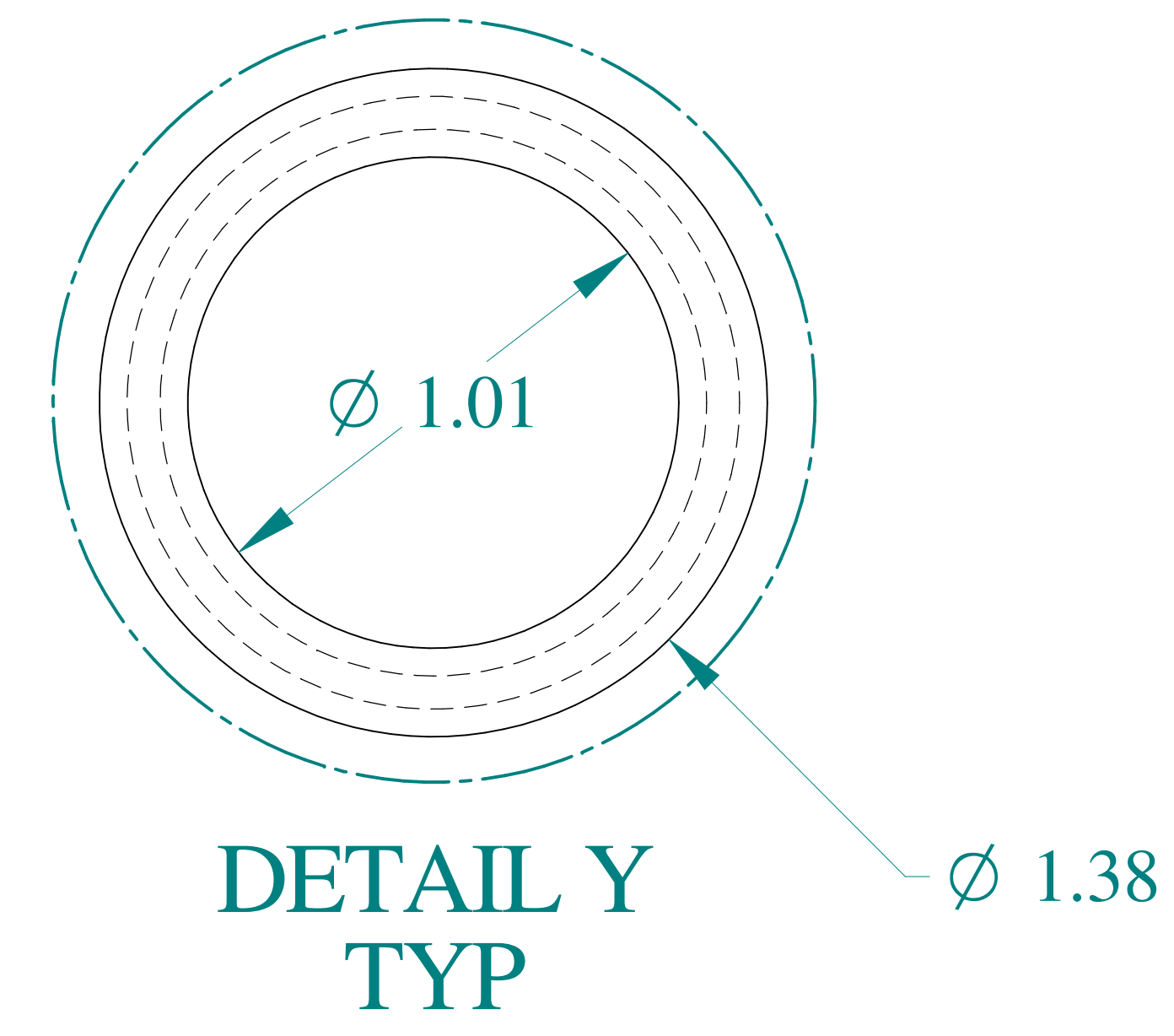
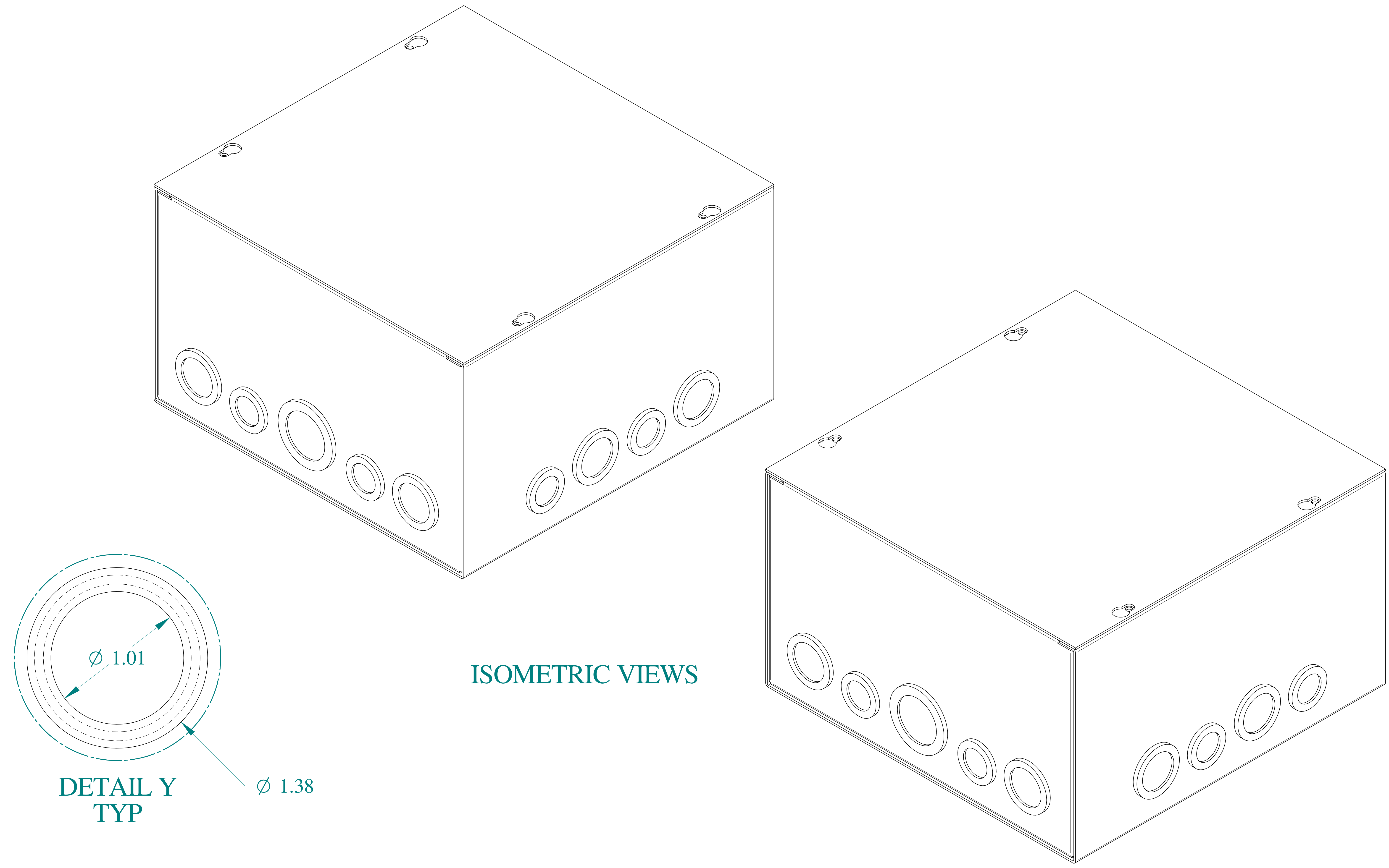
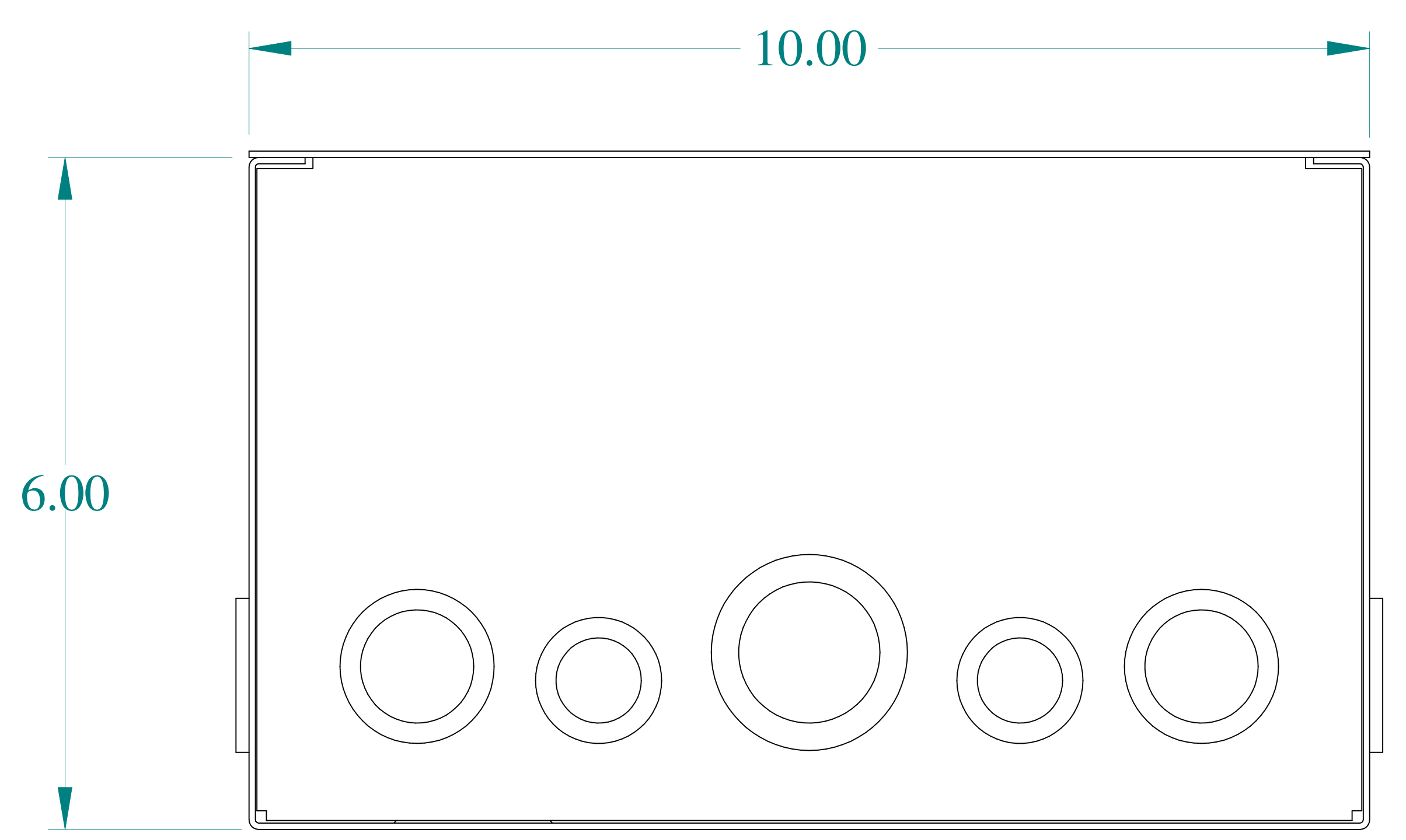


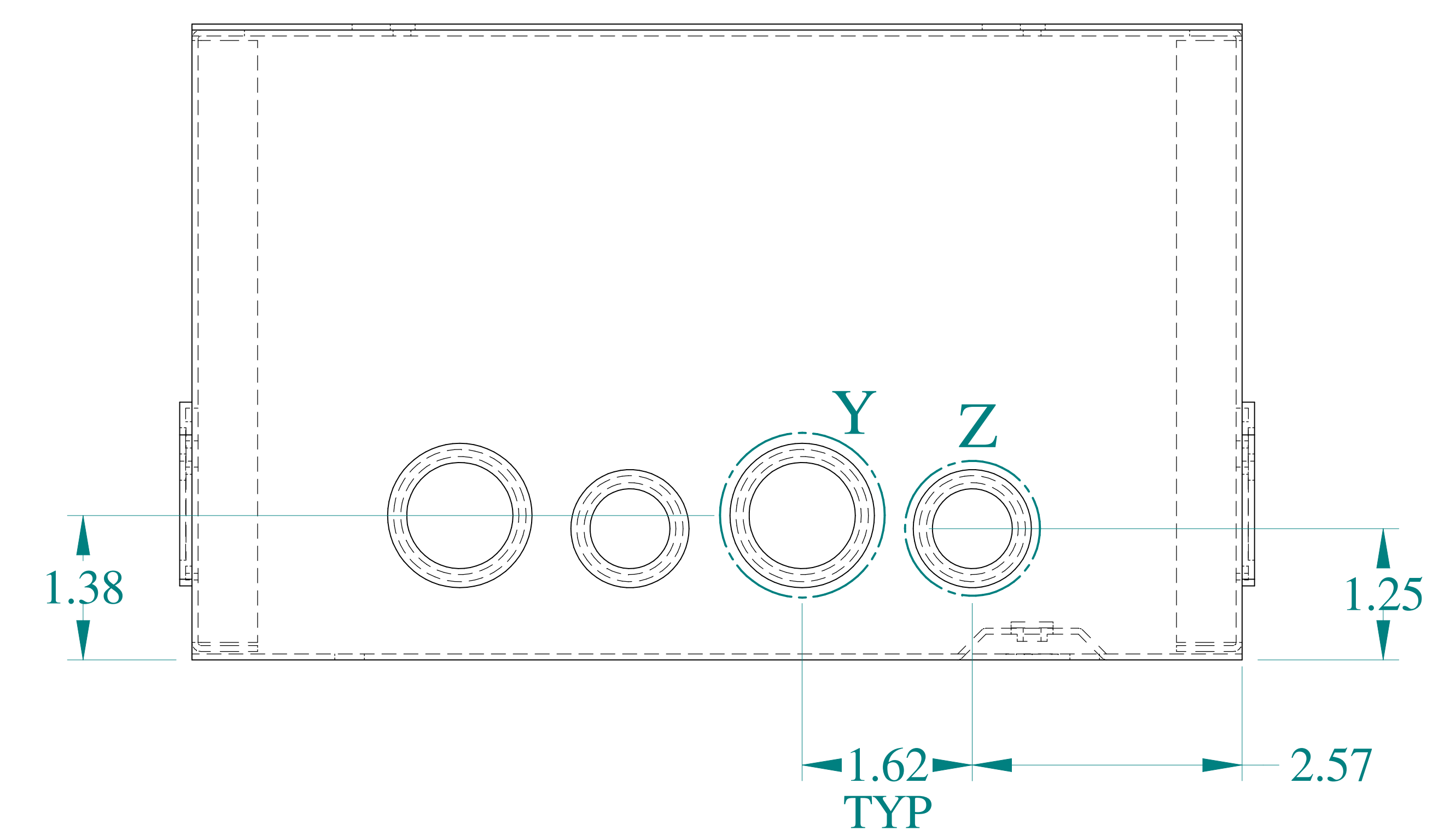
TOP VIEW



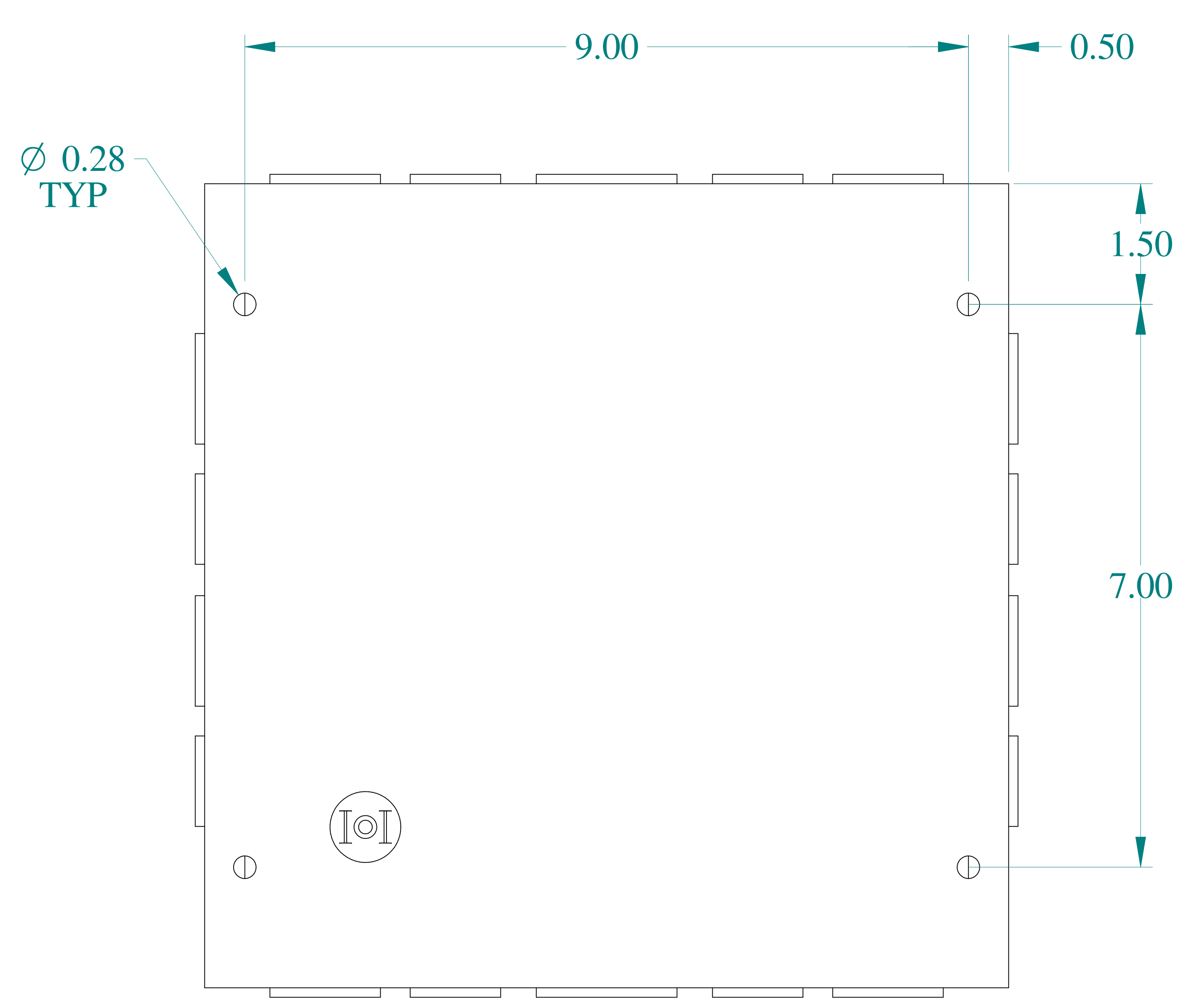
SIDE VIEW



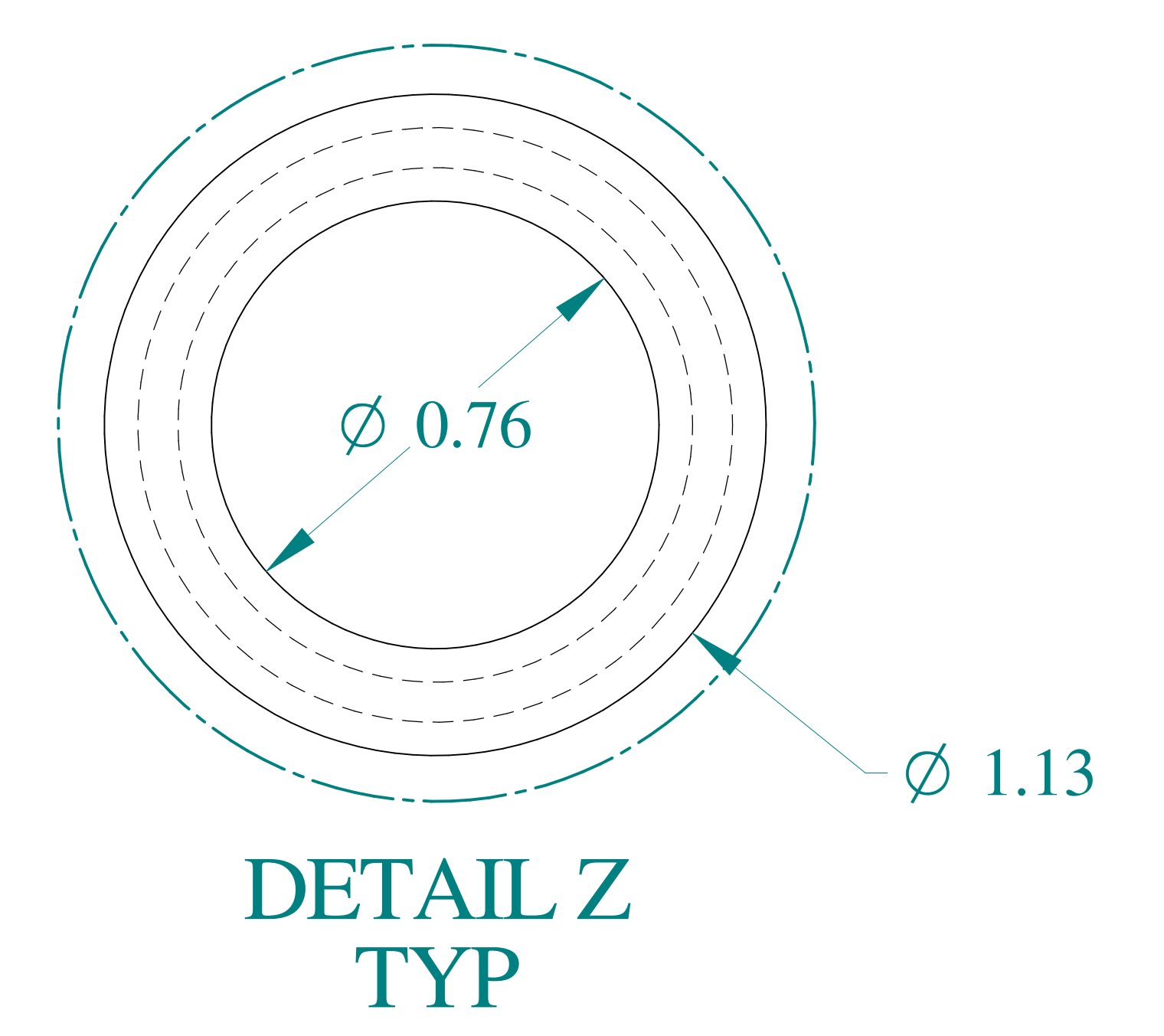
FRONT VIEW



SIDE VIEW



BOTTOM VIEW



**HAMMOND
 MANUFACTURING**
 www.hammondmfg.com

Data subject to change without notice.

Part #: CSKO10106 Date: Mar. 24, 2019

Link: www.hamfmfg.com/CSKO10106