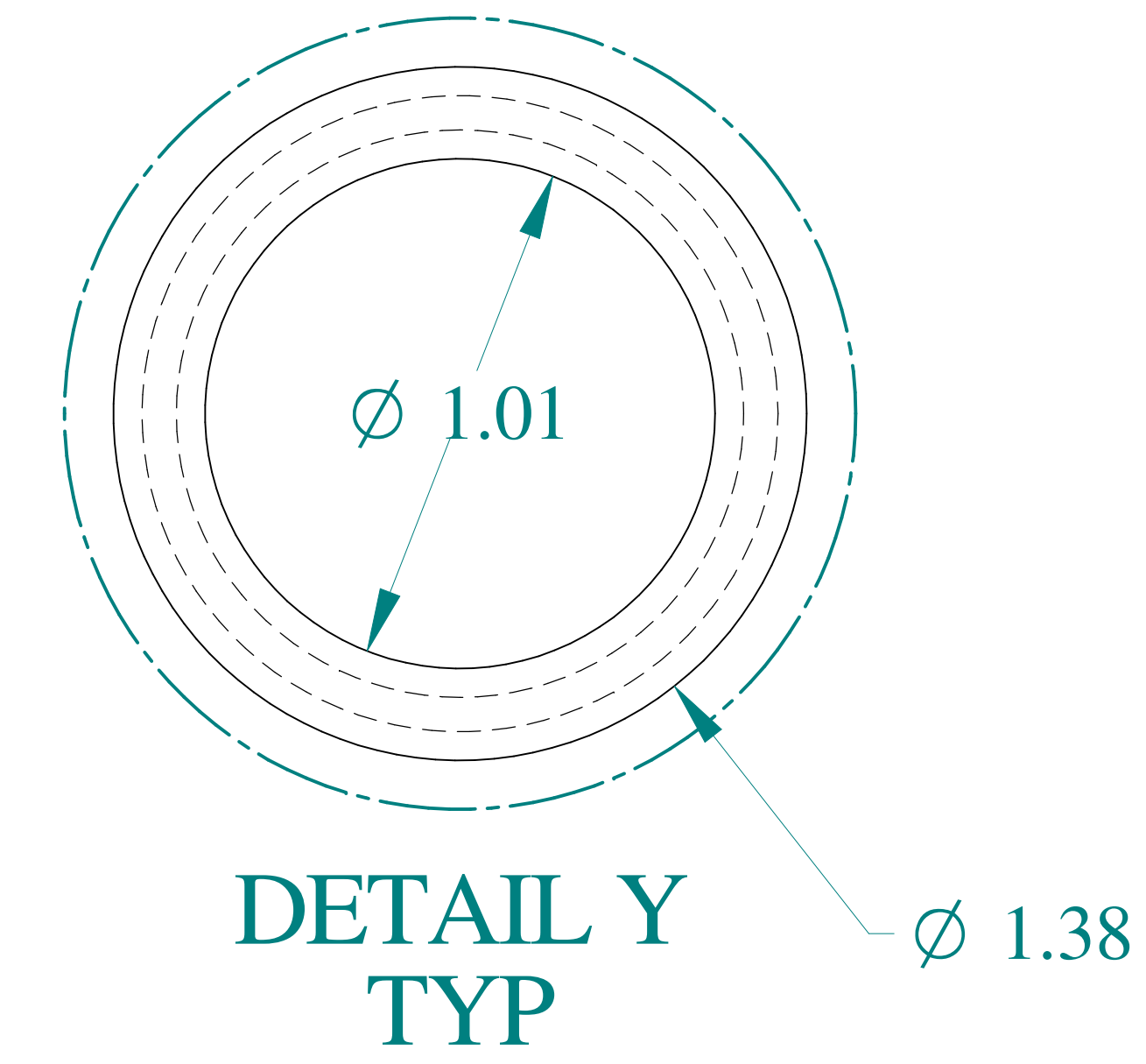
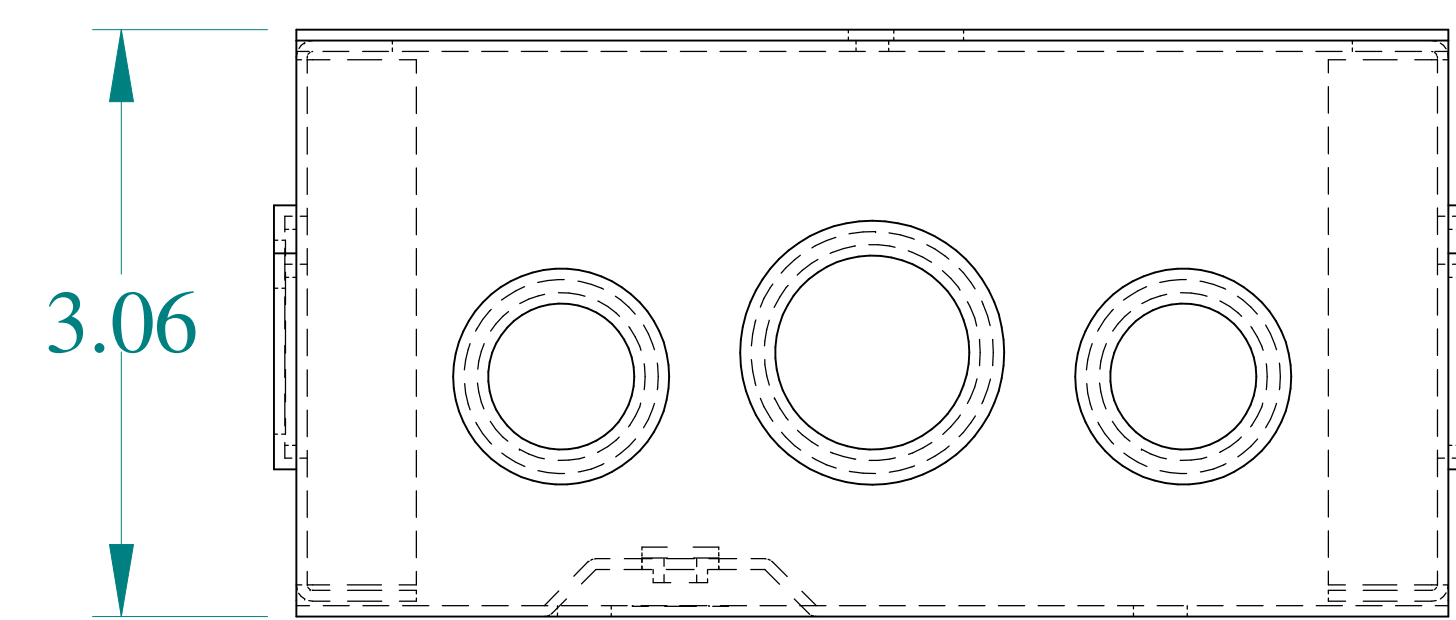
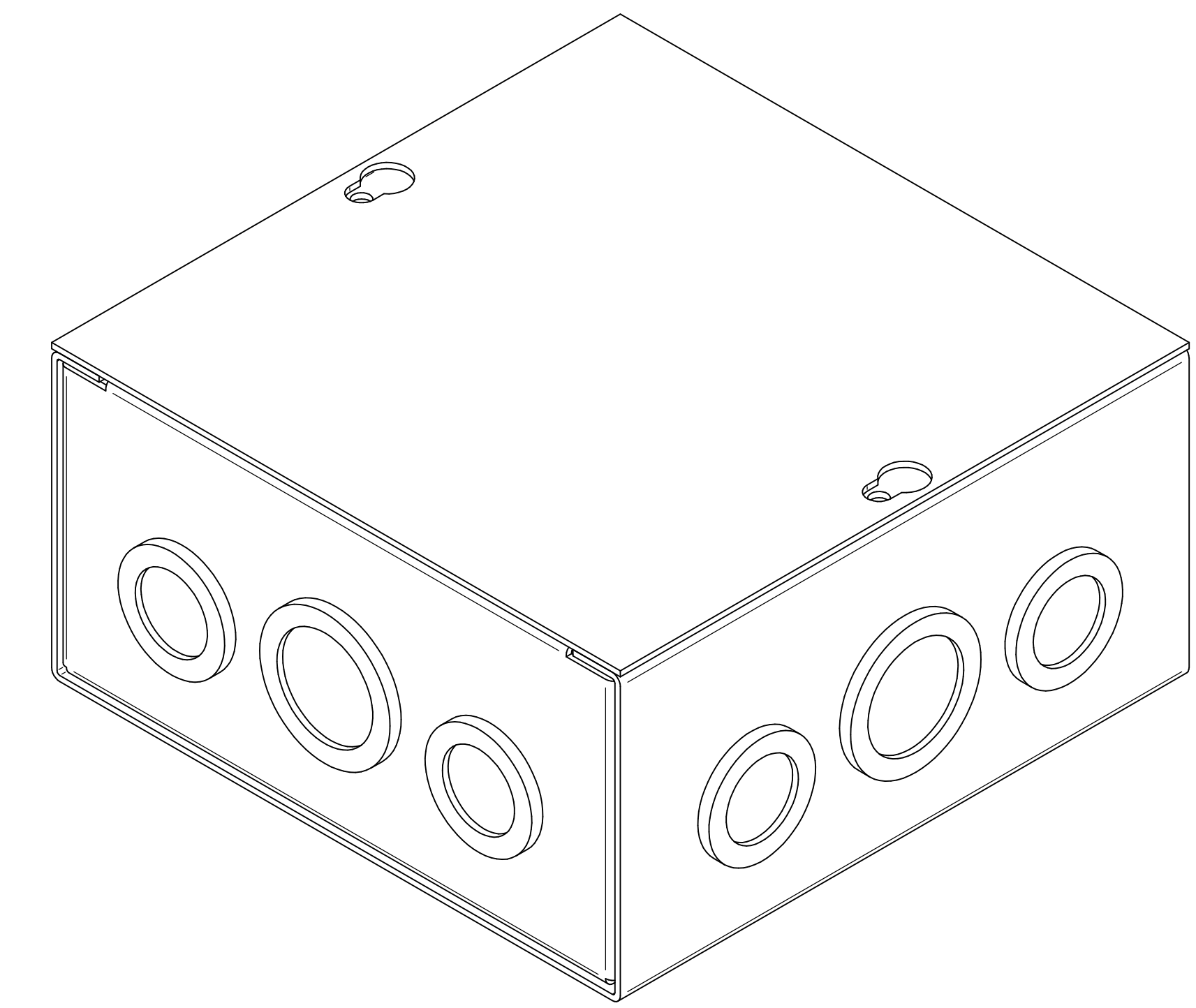
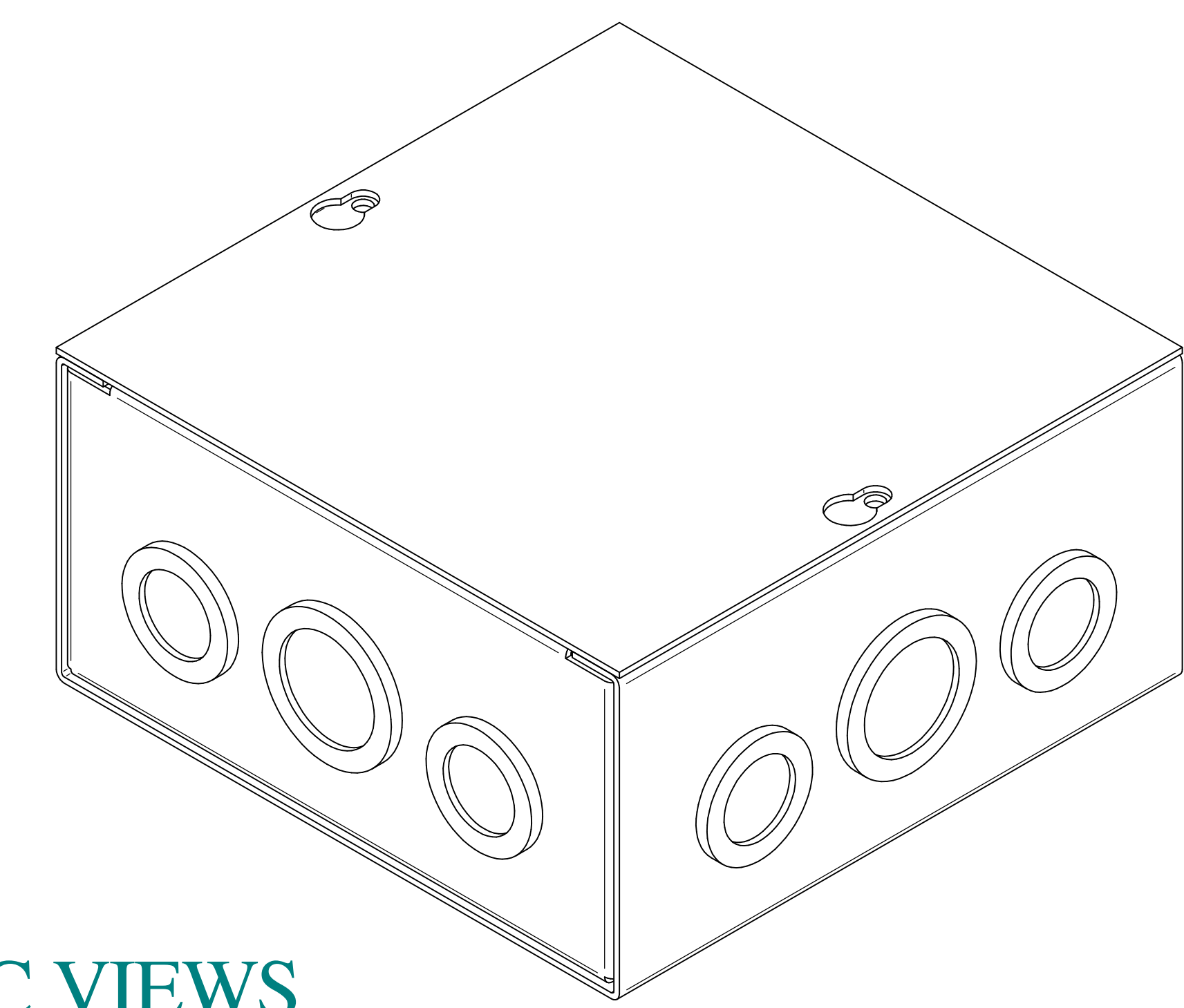


TOP VIEW

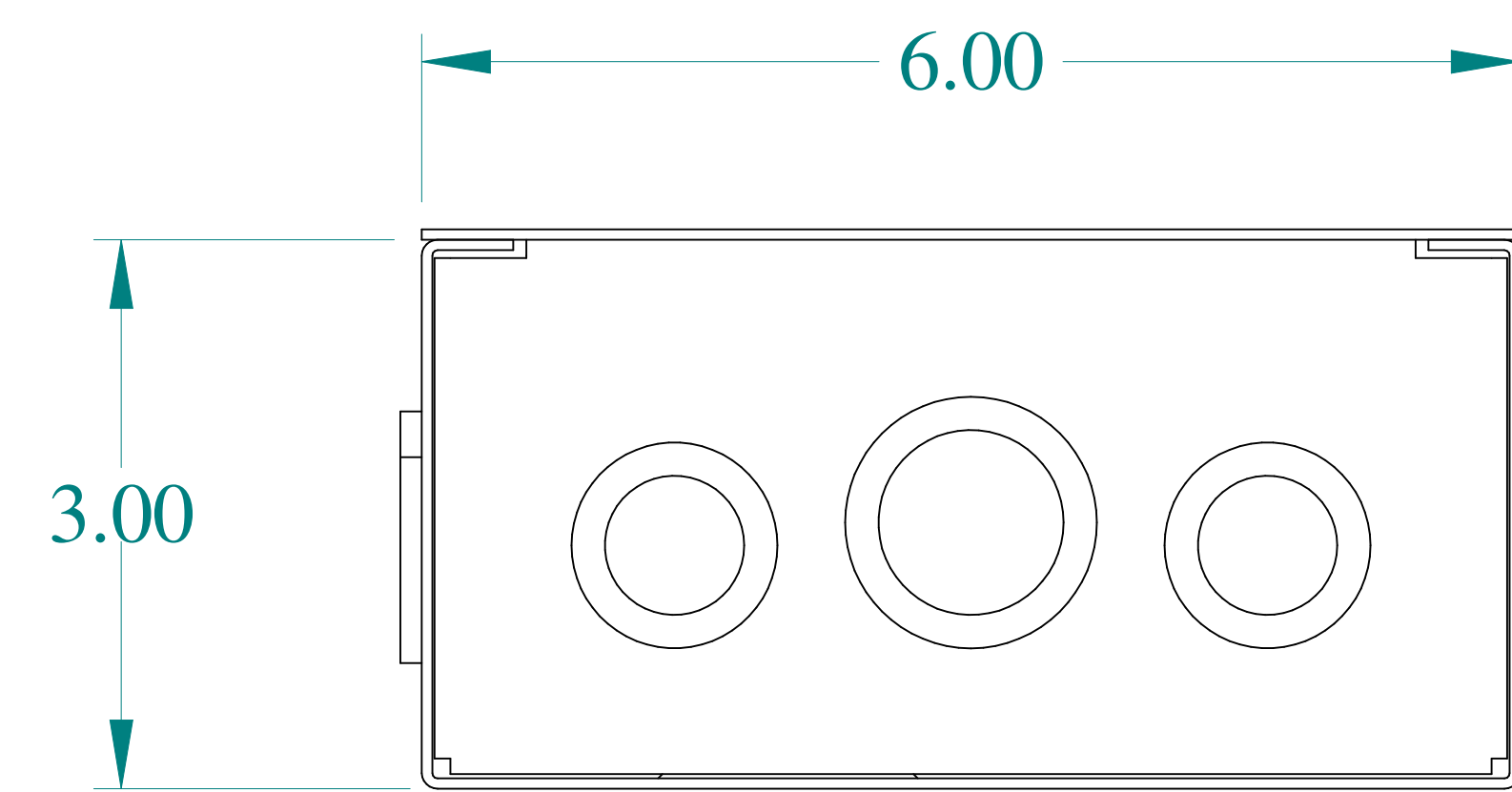


DETAIL Y
TYP

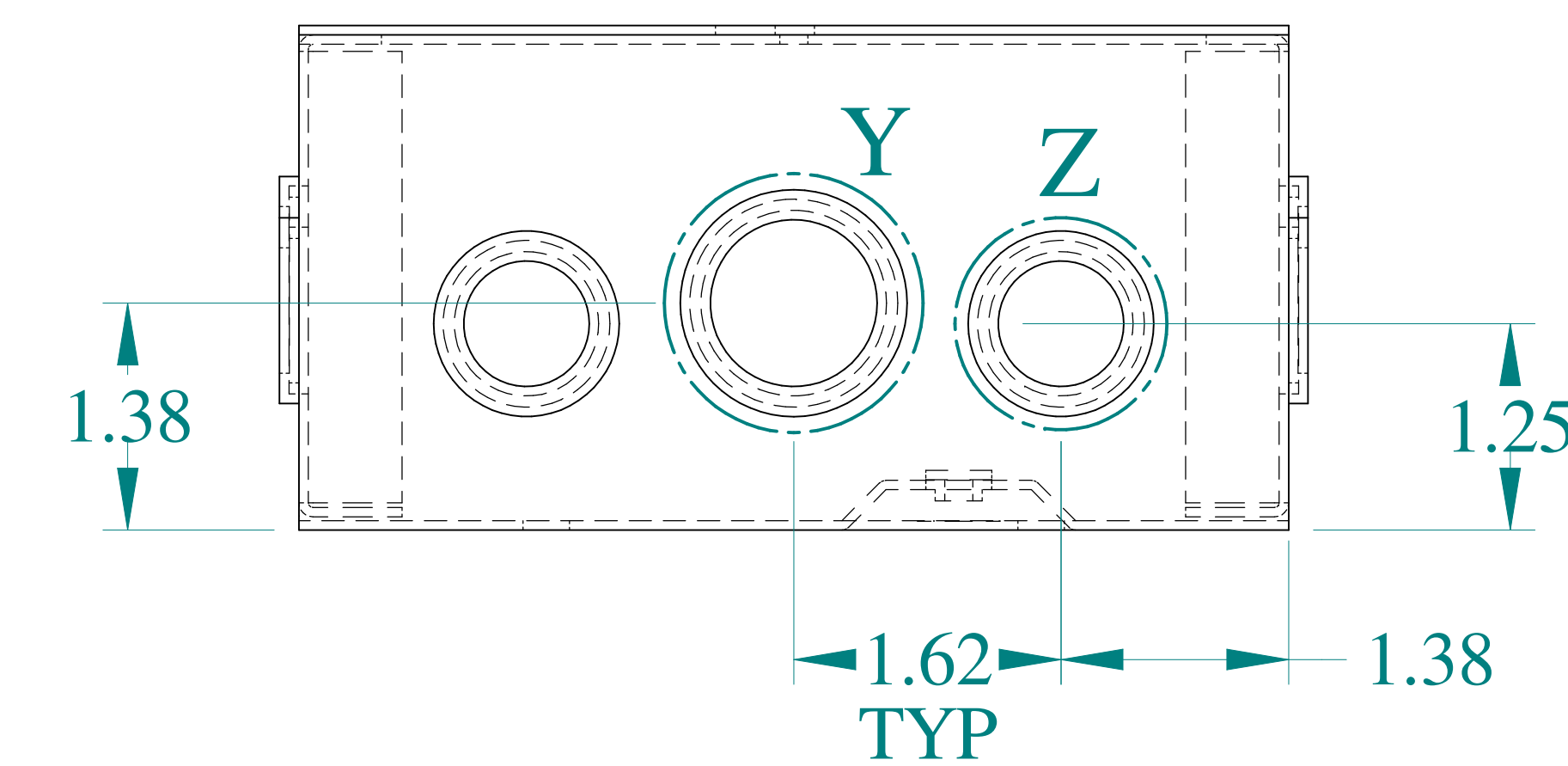
ISOMETRIC VIEWS



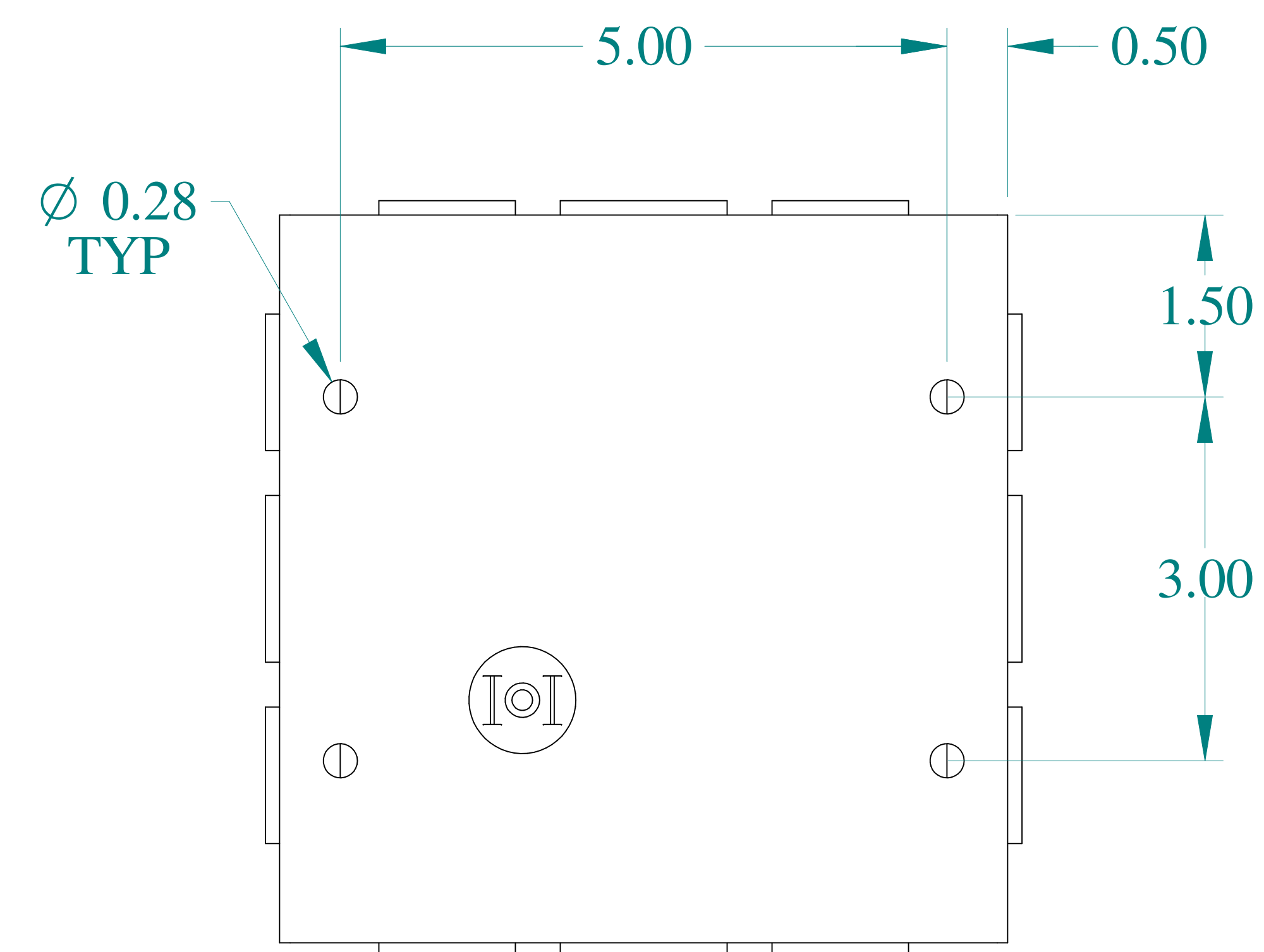
SIDE VIEW



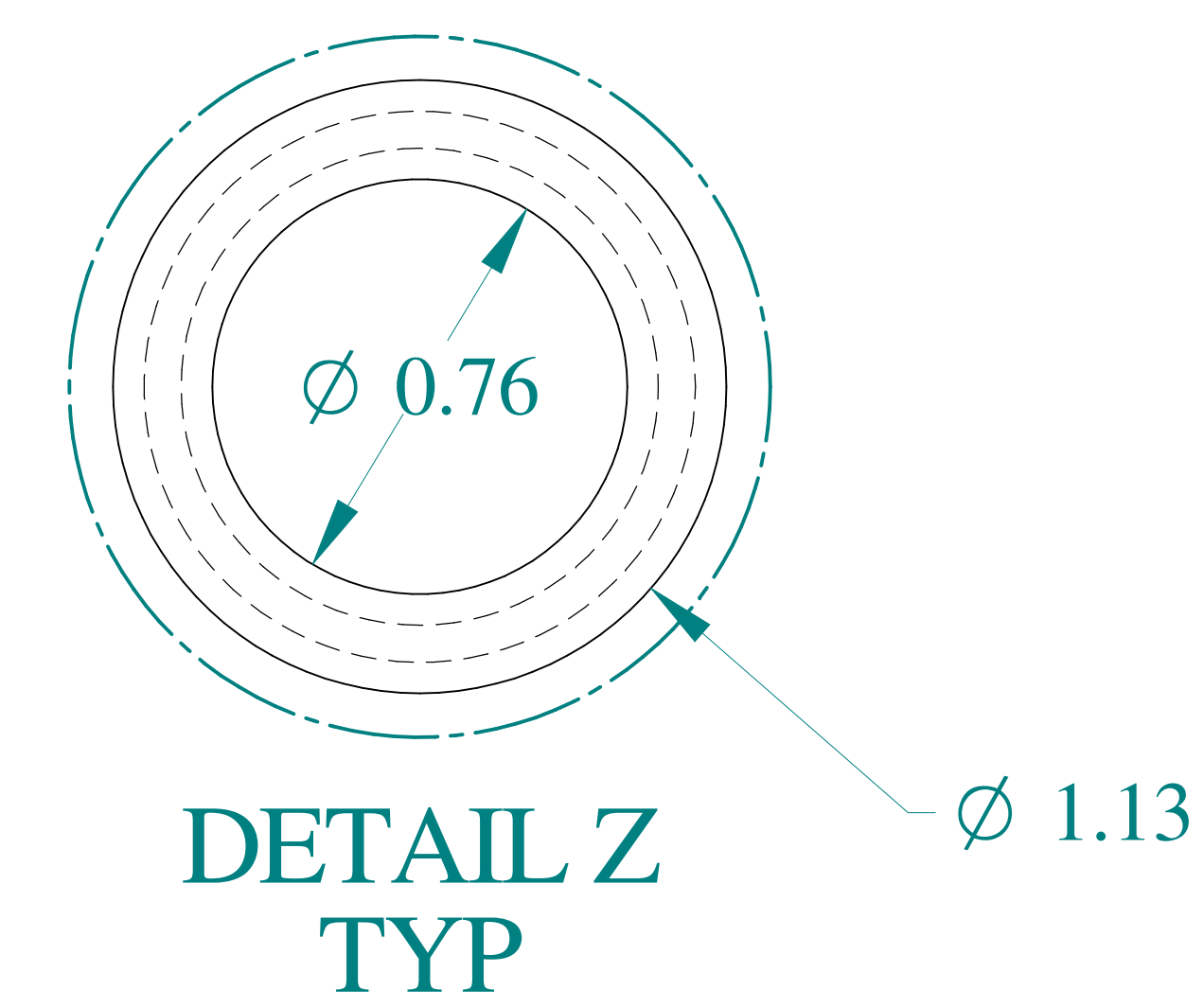
FRONT VIEW



SIDE VIEW



BOTTOM VIEW



DETAIL Z
TYP

HAMMOND
MANUFACTURING®

www.hammondmfg.com

Data subject to change without notice.

Part # : CSKO663

Date : Mar. 24, 2019

Link: www.hamfmg.com/CSKO663