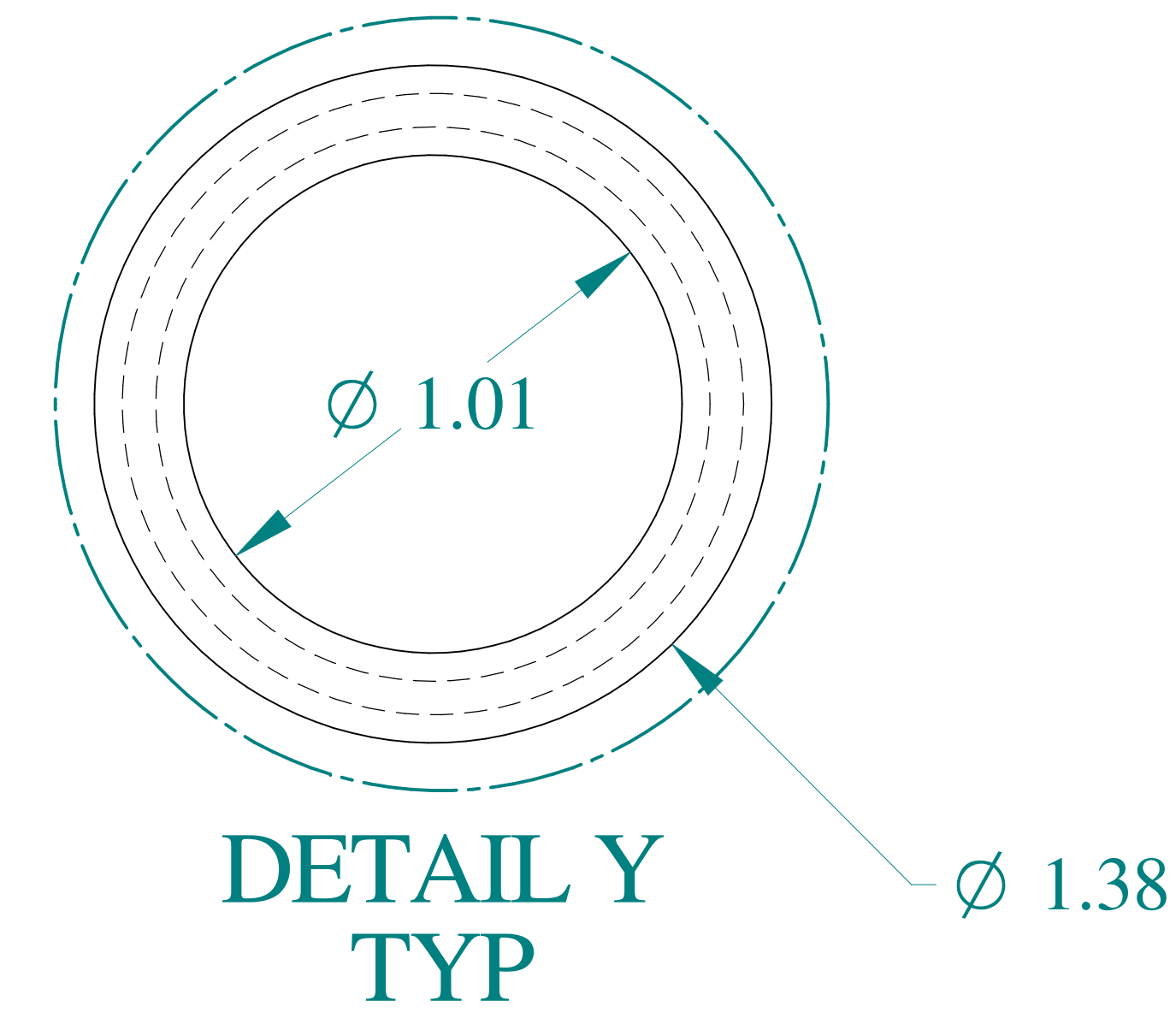
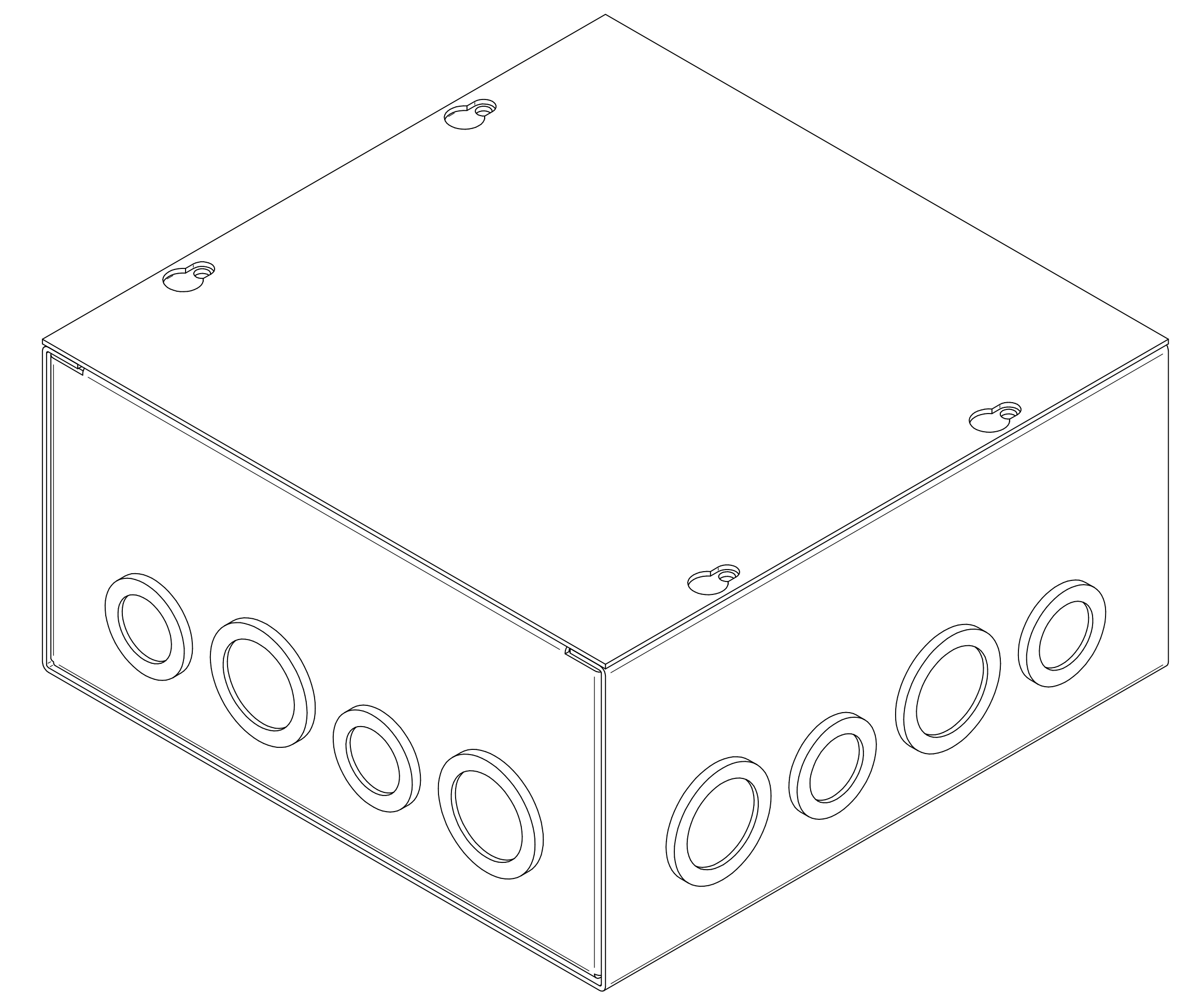


TOP VIEW

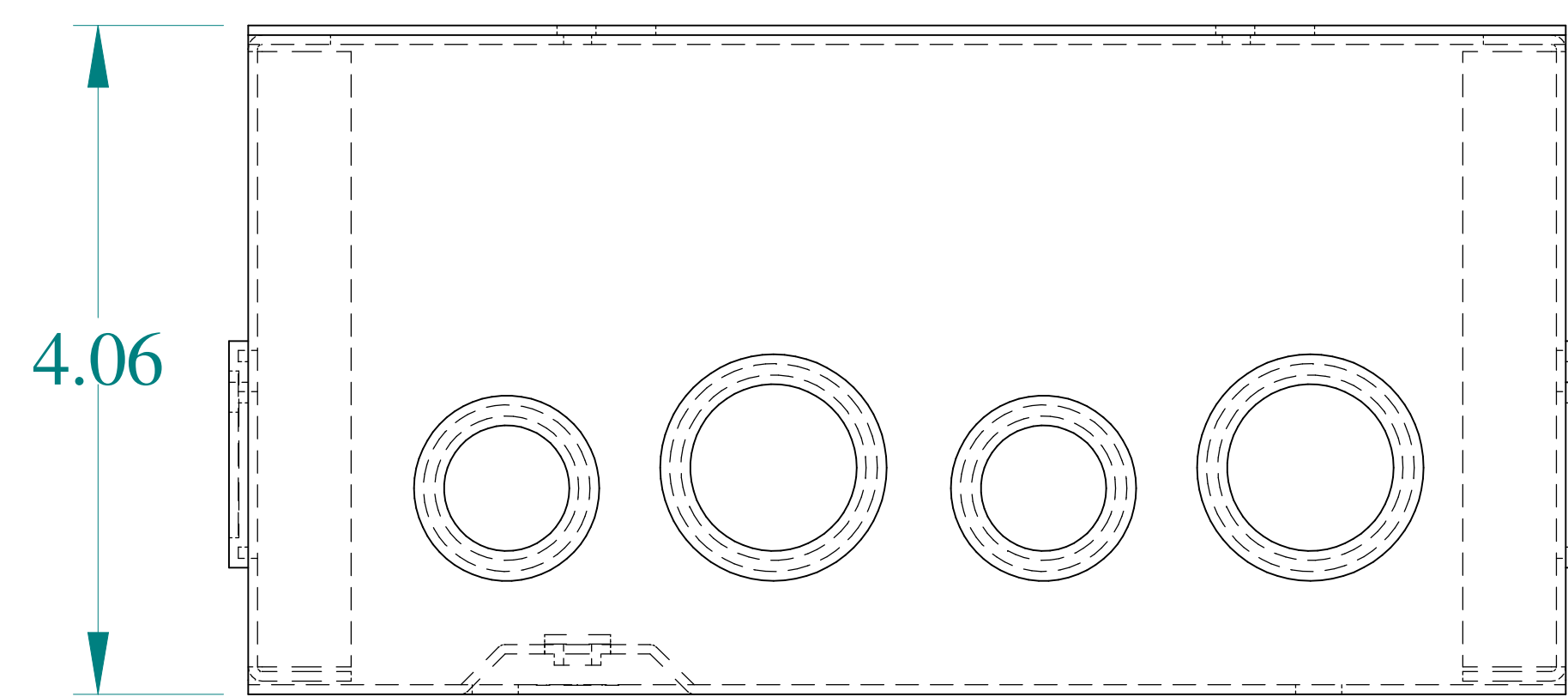


Ø 1.38

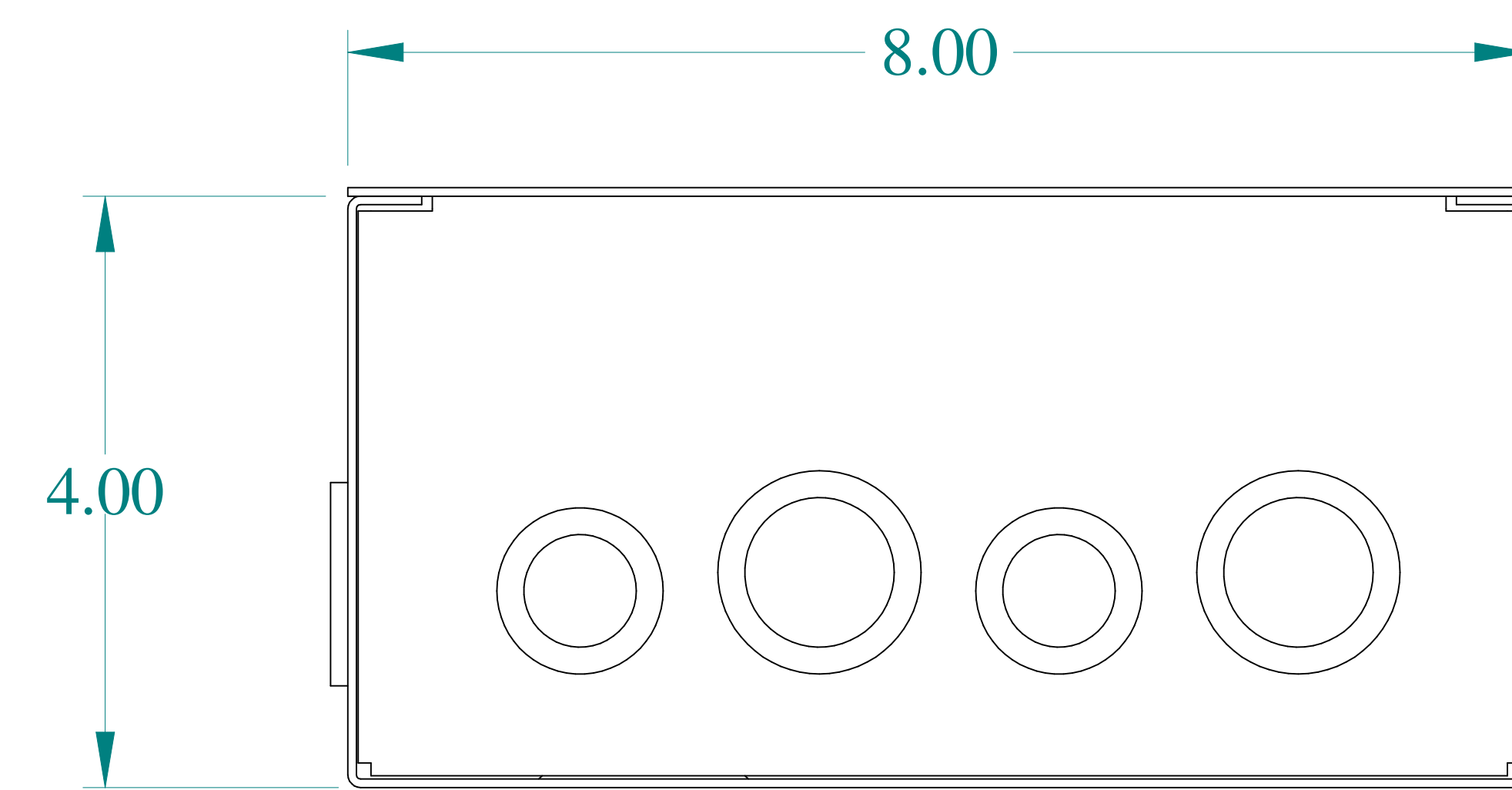
DETAIL Y  
TYP



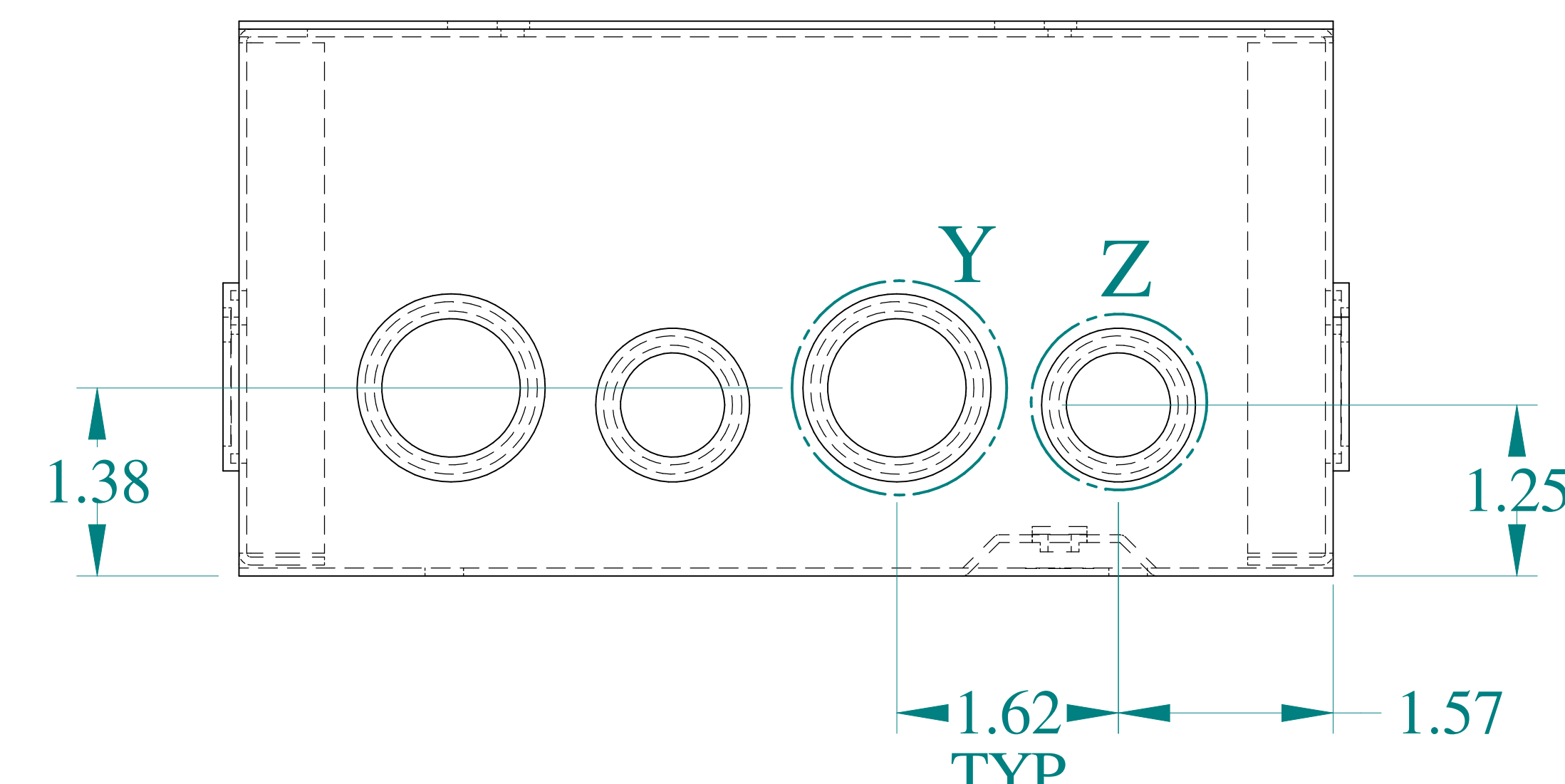
ISOMETRIC VIEWS



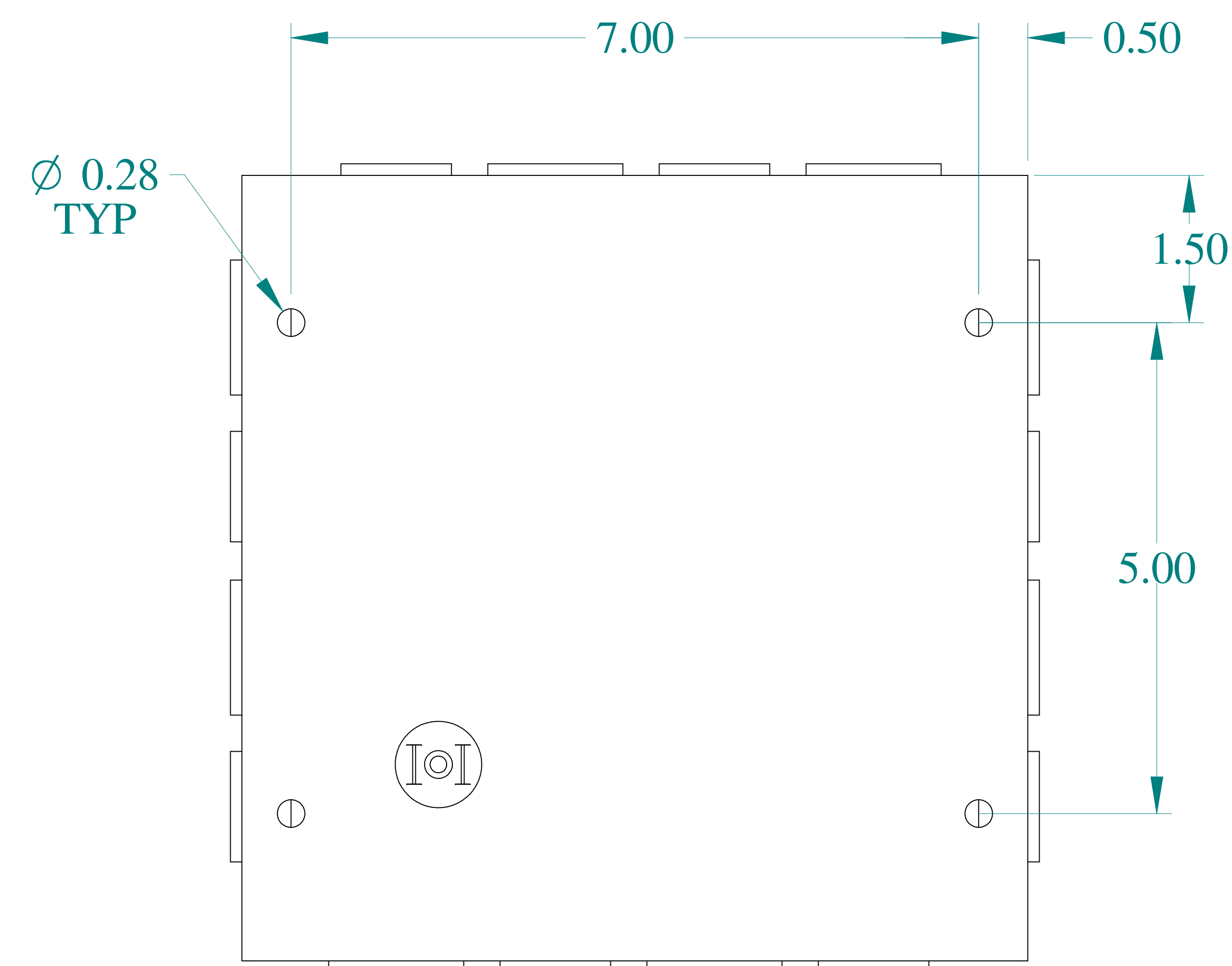
SIDE VIEW



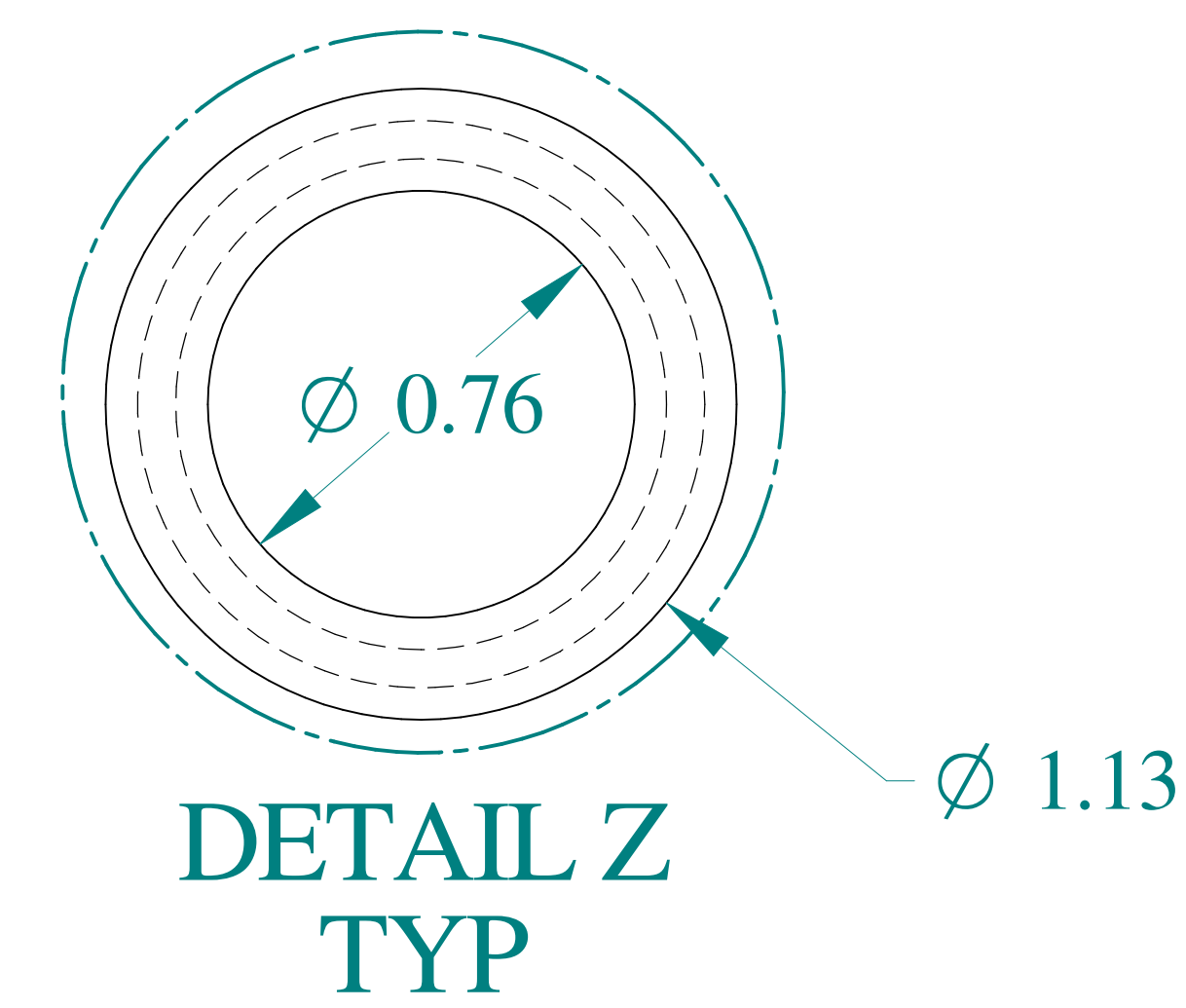
FRONT VIEW



SIDE VIEW

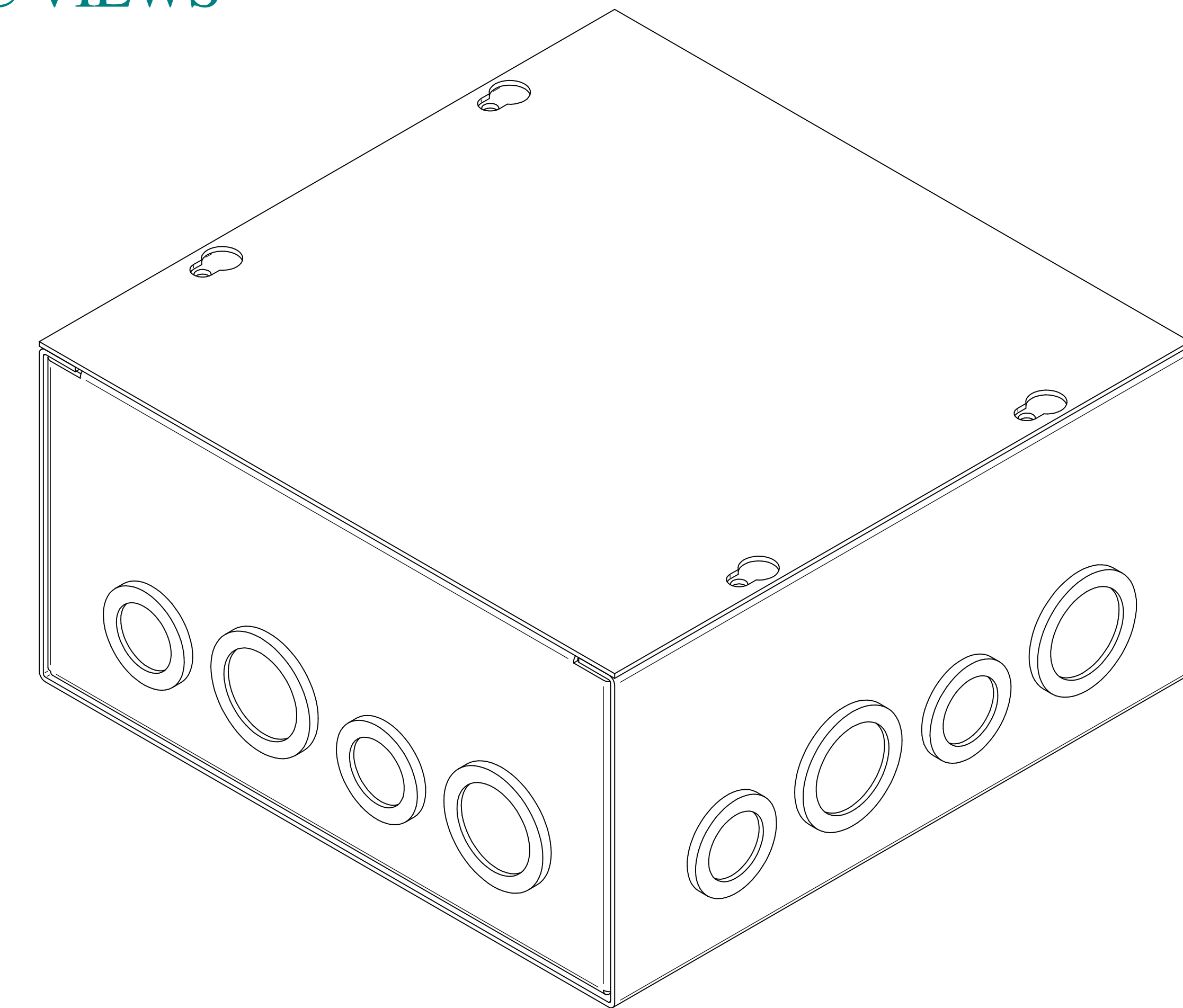


BOTTOM VIEW



Ø 1.13

DETAIL Z  
TYP



**HAMMOND  
MANUFACTURING®**

www.hammondmfg.com

Data subject to change without notice.

Part # : CSKOG884

Date : Mar. 24, 2019

Link: [www.hammg.com/CSKOG884](http://www.hammg.com/CSKOG884)