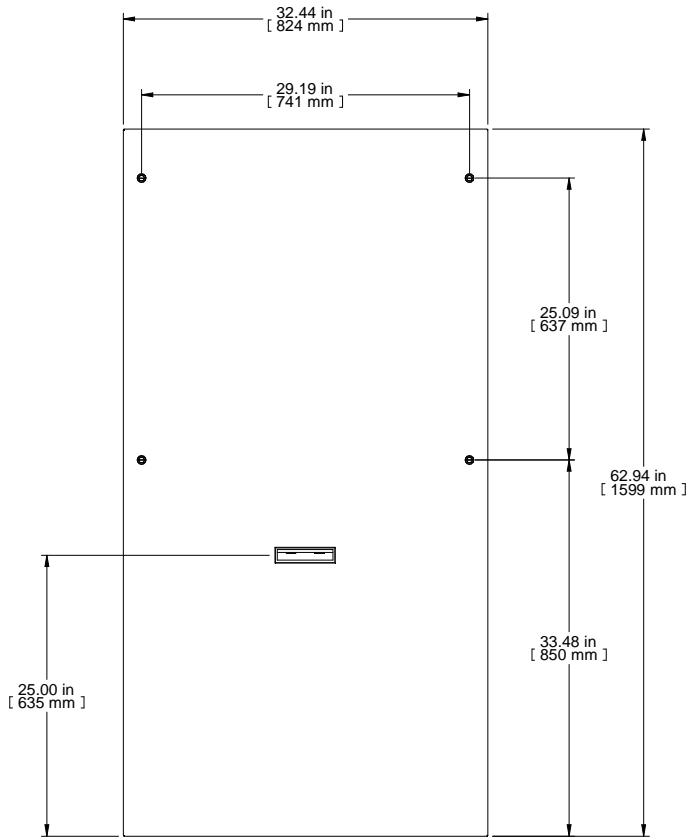
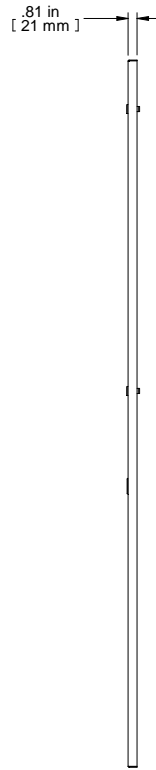




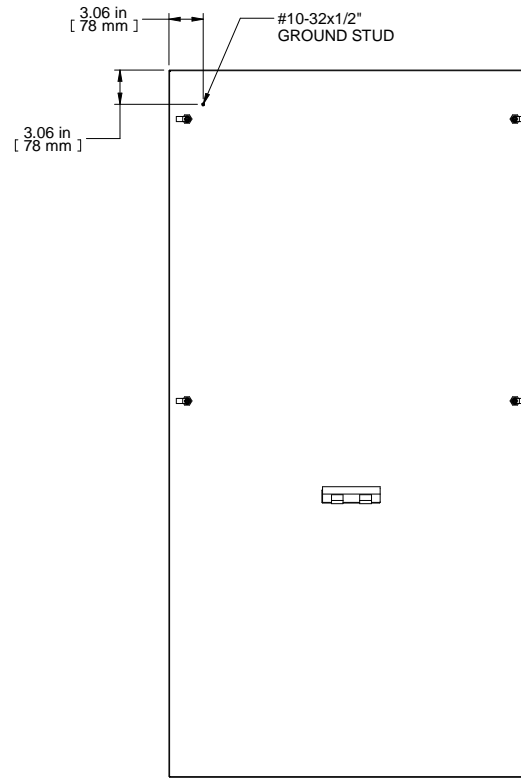
TOP VIEW



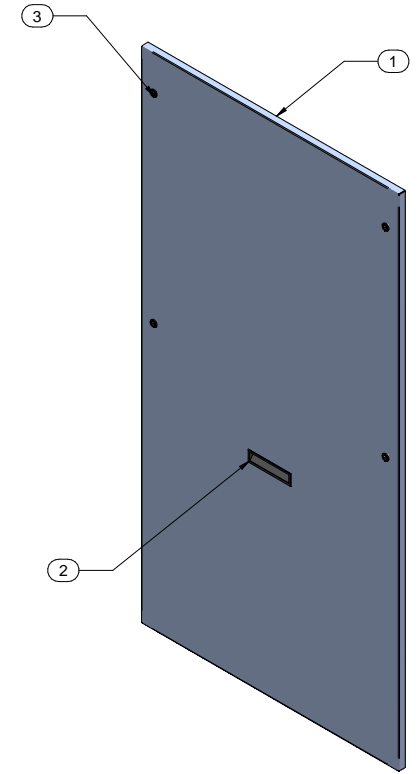
FRONT VIEW



R.S. VIEW



REAR VIEW



ISOMETRIC

Item Number	Title	Quantity
1	SIDE PANEL	1
2	BLACK PLASTIC HANDLE	1
3	SLOTTED 1/4 TURN LATCH	4

PART NUMBERS

CSP6336BK1	PAINTED BLACK TEXTURED
CSP6336LG1	PAINTED LIGHT GRAY TEXTURED

NOTES

Side Panel for C2 Series, sold in Pairs
 Quarter Turn Latches and Handle Included
 See Hammond Website for More Information

Français

Pour tous les détails sur nos produits,
 svp veuillez consulter notre site www.hammondmfg.com
 Data subject to change without notice. Isometric drawing not to scale.
 Les données sont sujettes à changement sans préavis.



PART NO.

CSP6336