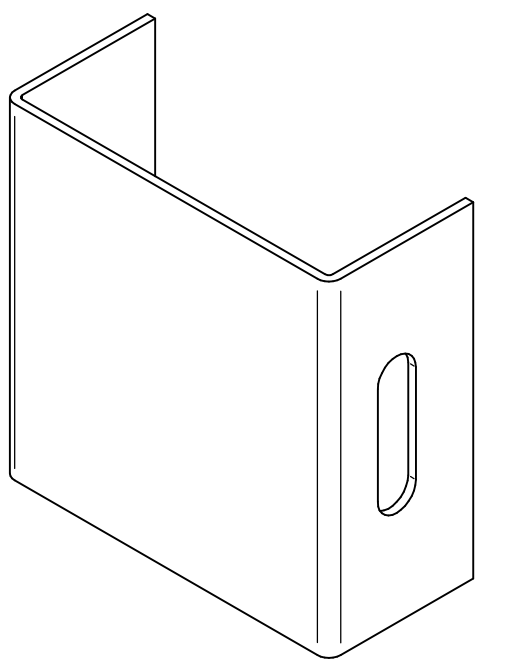
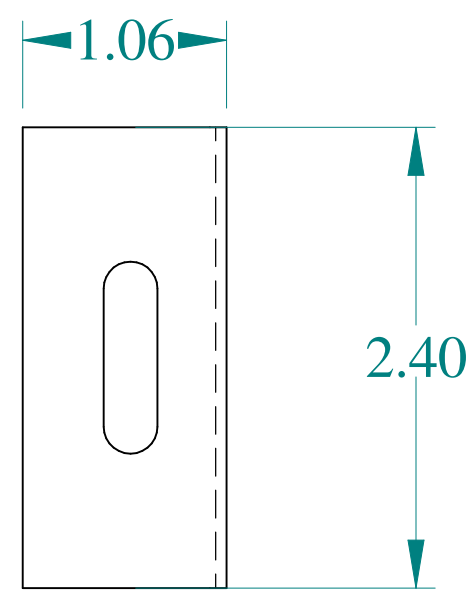
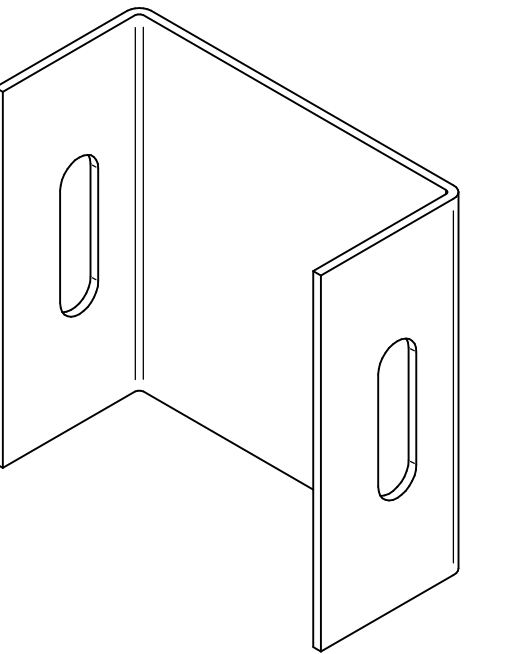


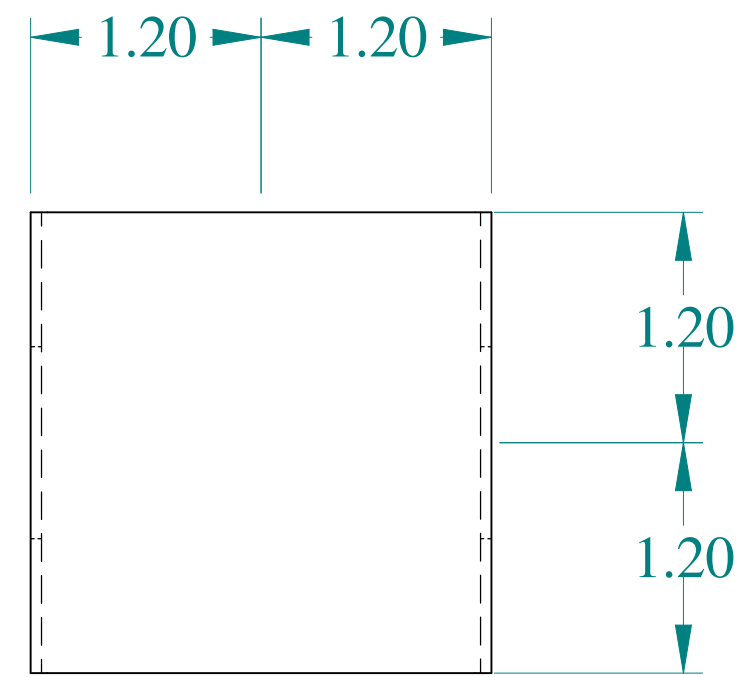
TOP VIEW



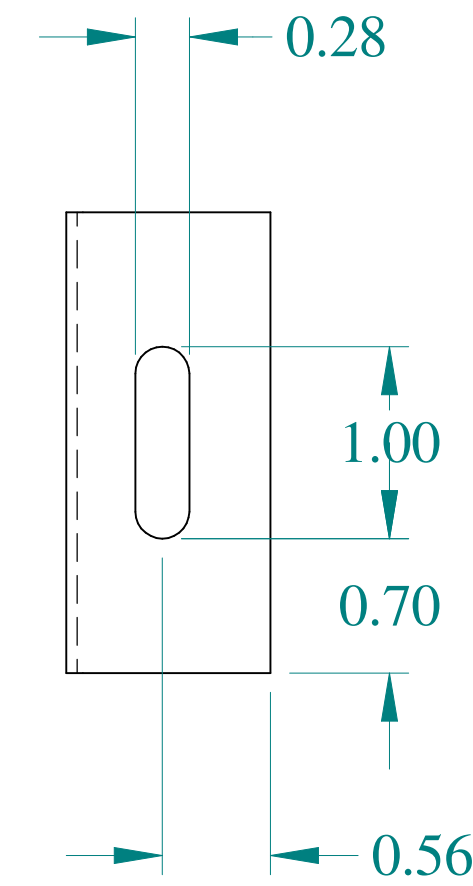
ISOMETRIC VIEWS



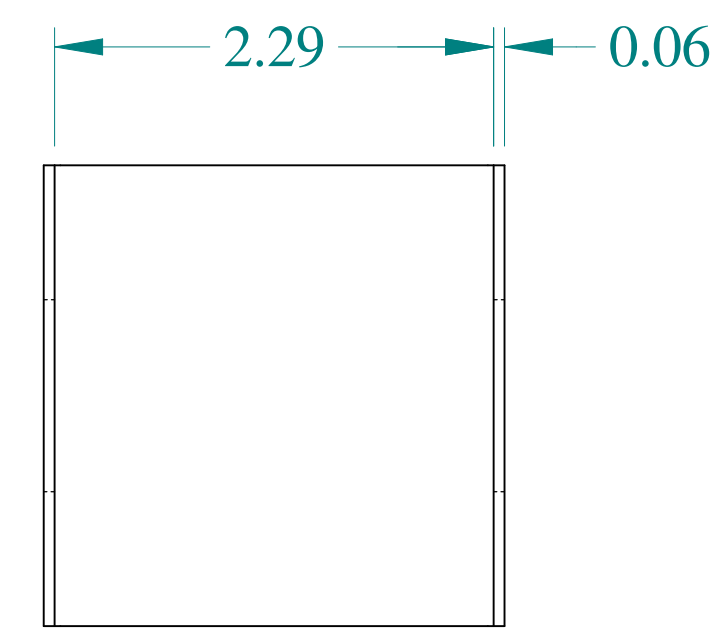
SIDE VIEW



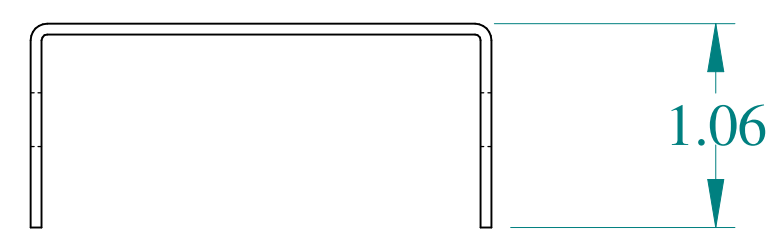
FRONT VIEW



SIDE VIEW



BACK VIEW



BOTTOM VIEW



Data subject to change without notice.

Part # : CWCP2GNK Date : Jan. 27, 2020

Link: www.hammmfg.com/CWCP2GNK