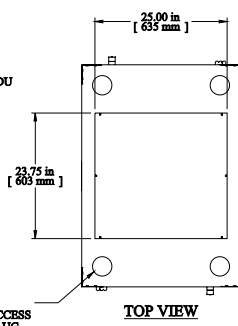
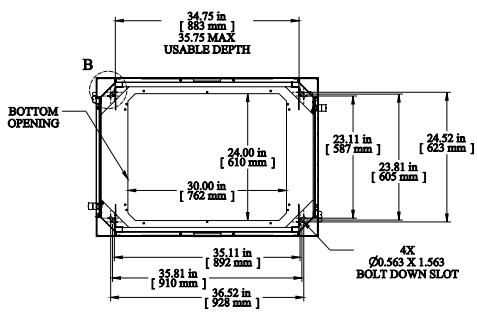


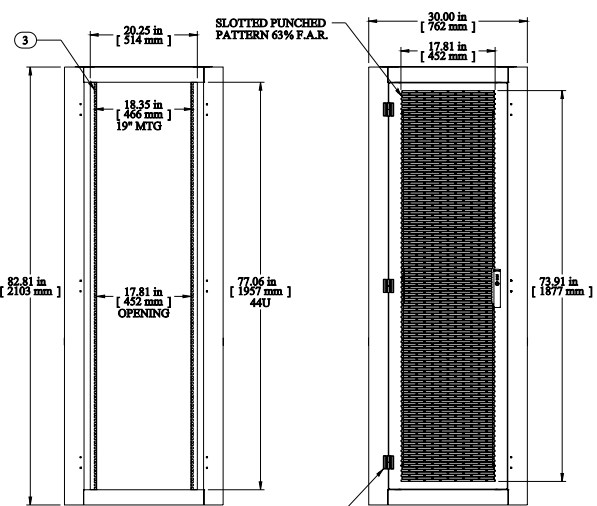
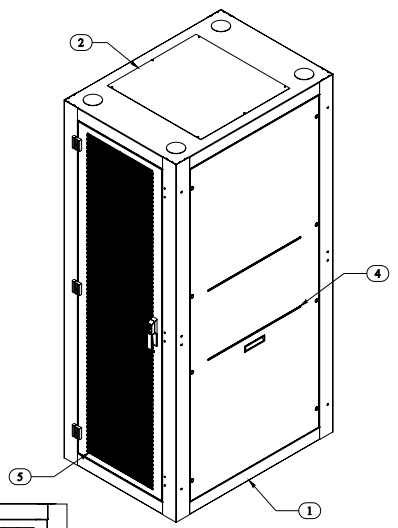
DETAIL B
2.5:1
5X
TAPPED 1/4-20
HOLES ON CORNER
SUPPORT FOR VCT OR PDU
MTG CLIPS, TYP



TOP VIEW

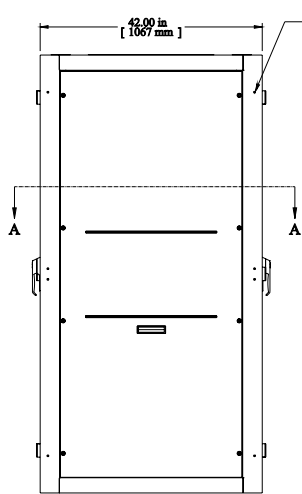


SECTION A-A

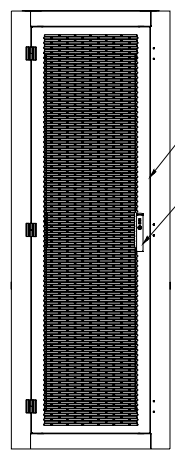


FRONT VIEW
DOORS REMOVED

FRONT VIEW



SIDE VIEW



REAR VIEW

| Item Number | Title | Quantity |
|-------------|-----------------------------------|----------|
| 1 | Z4 - FRAME ASSEMBLY | 1 |
| 2 | C2 - SOLID TOP PANEL | 1 |
| 3 | C4 - SOL. HOLE PANEL RAILS (PAIR) | 2 |
| 4 | Z4 - SOLID SIDE PANEL (SINGLE) | 2 |
| 5 | Z4 - FLUSH VENTED DOOR | 2 |

Data subject to change without notice. Isometric drawing not to scale.

www.hammondmfg.com

PART NO. Z4A307742BK