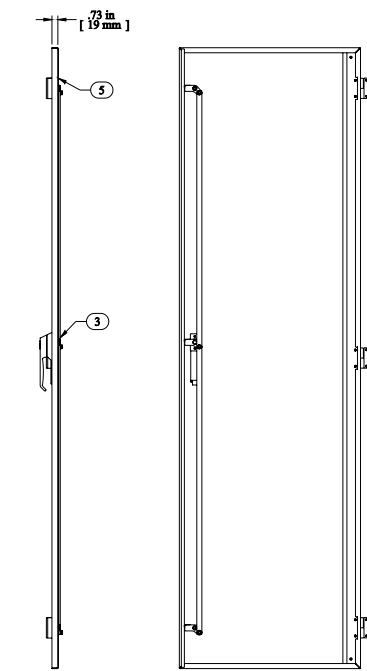
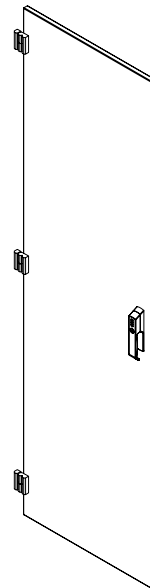


FRONT VIEW



R.S. VIEW



Item Number	Title	Quantity
1	Z4 - SOLID DOOR FRAME	1
2	L-HANDLE COMBINATION W/ OVERRIDE	1
3	Z4 - 3 POINT LOCK ROD	1
4	HINGE - 180 LEFT OFF	3
5	GSKMORACH 1/8 X 3/8 X 76.5 LG	1



BOTTOM VIEW

Data subject to change without notice. Isometric drawing not to scale.

www.hammondmfg.com

PART NO QZ4SD3077BK