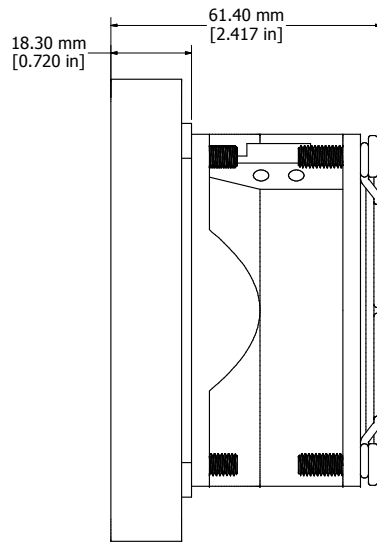
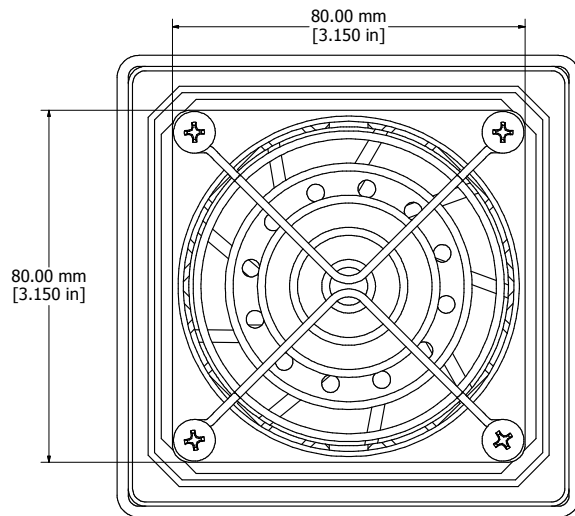


ASSEMBLY - VIEW FROM FRONT



ASSEMBLY - VIEW FROM SIDE



ASSEMBLY - VIEW FROM BACK

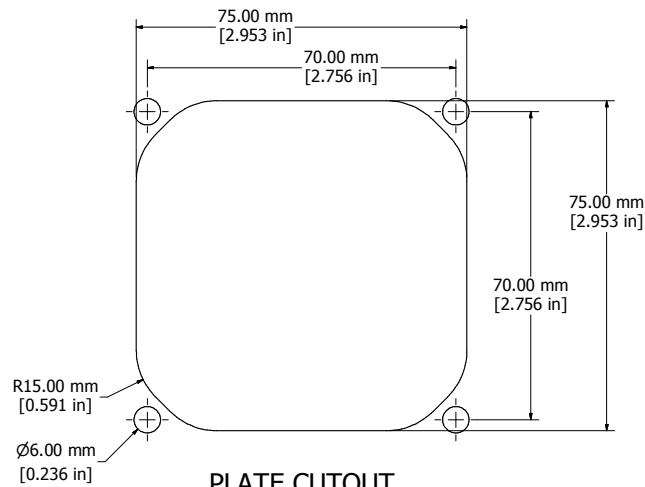
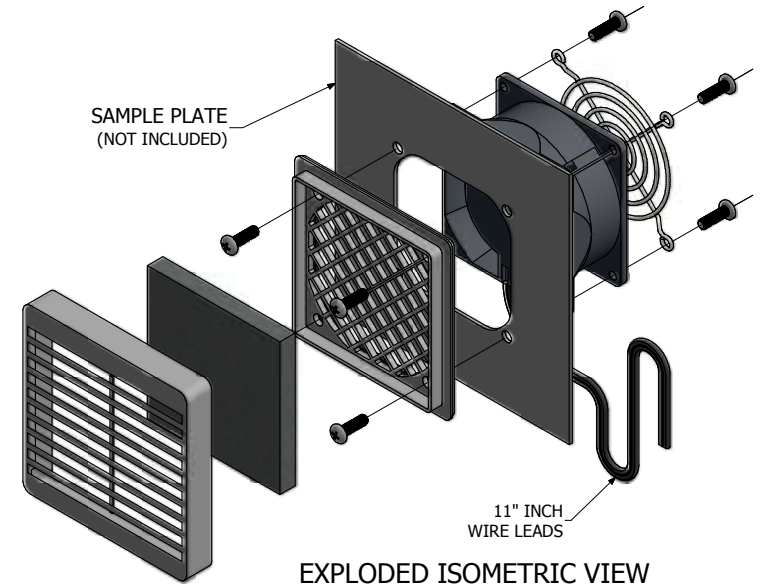


PLATE CUTOUT



EXPLODED ISOMETRIC VIEW

DNFF080**115	
Finish - Front Screen - ABS Plastic	
- Back Panel - ABS Plastic	
Rated - 115 VAC, 50/60 Hz, 0.09 Amps	
Free Flow Air Delivery - 32 CFM	
Colours	
DNFF080BK115 - Black	
DNFF080CG115 - Gray/Beige	
DNFF080GY115 - Gray	
DNFF080LG115 - Light Gray	
Hardware	
8 Screws - Panhead Self-tapping 10-32 x 1/2"	
4 Speed Nuts	
Accessories	
PFF1000 - Standard Filter Media (Pkg of 5)	
PLFF1000 - Pleated Filter Media (Pkg of 5)	

