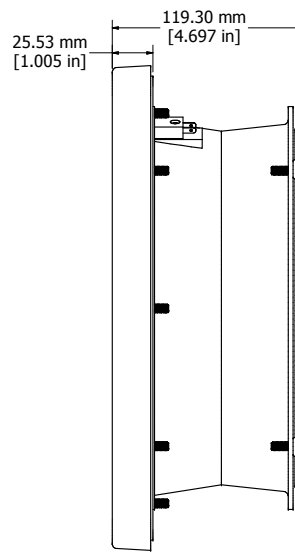
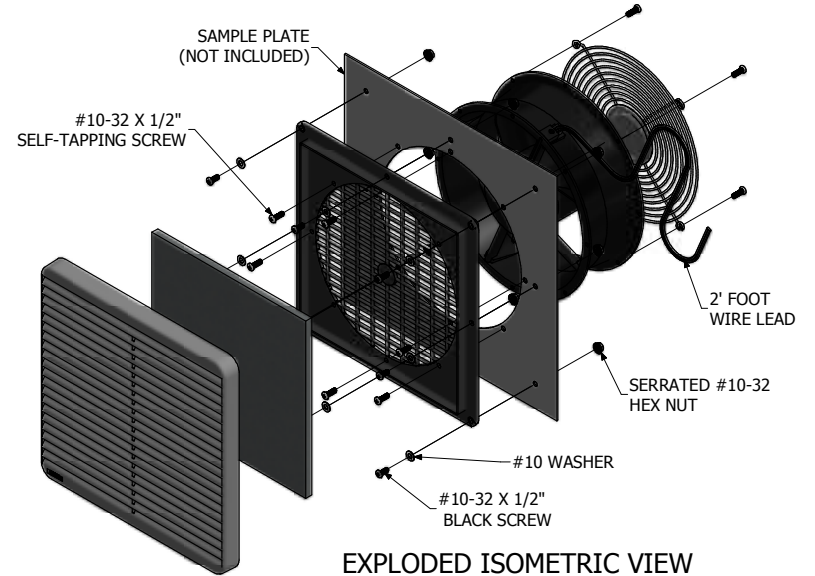


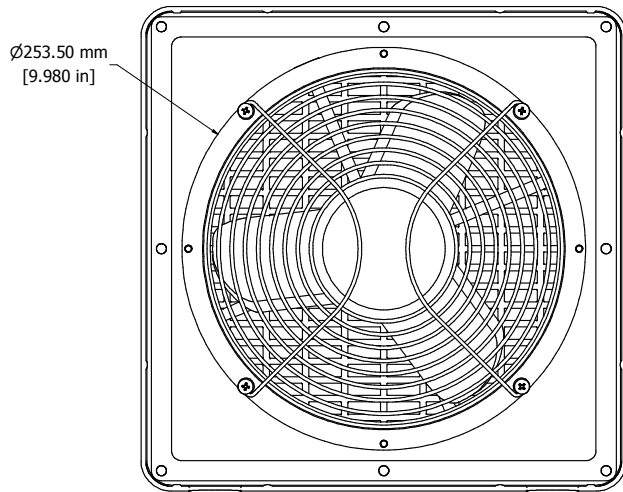
ASSEMBLY - VIEW FROM FRONT



ASSEMBLY - VIEW FROM SIDE



EXPLODED ISOMETRIC VIEW



ASSEMBLY - VIEW FROM BACK

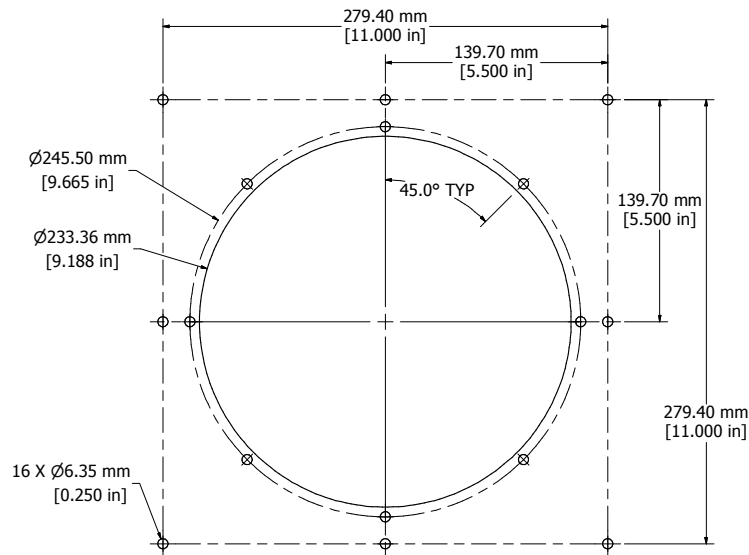


PLATE CUTOUT

DNFF254**115
Finish - Front Screen - ABS Plastic
- Back Panel - ABS Plastic
Rated - 115 VAC, 50/60 Hz, 0.29 Amps
Free Flow Air Delivery - 550 CFM
Colours
DNFF254BK115 - Black
DNFF254CG115 - Gray/Beige
DNFF254GY115 - Gray
DNFF254LG115 - Light Gray
Hardware
12 Screws - Panhead Self-tapping 10-32 x 1/2"
8 Screws - Black Panhead #10-32 x 1/2"
8 Washers - #10 Flat Washer
8 Nuts - #10-32 Serrated Nut
Accessories
PFF6000 - Standard Filter Media (Pkg of 5)
PLFF6000 - Pleated Filter Media (Pkg of 5)

