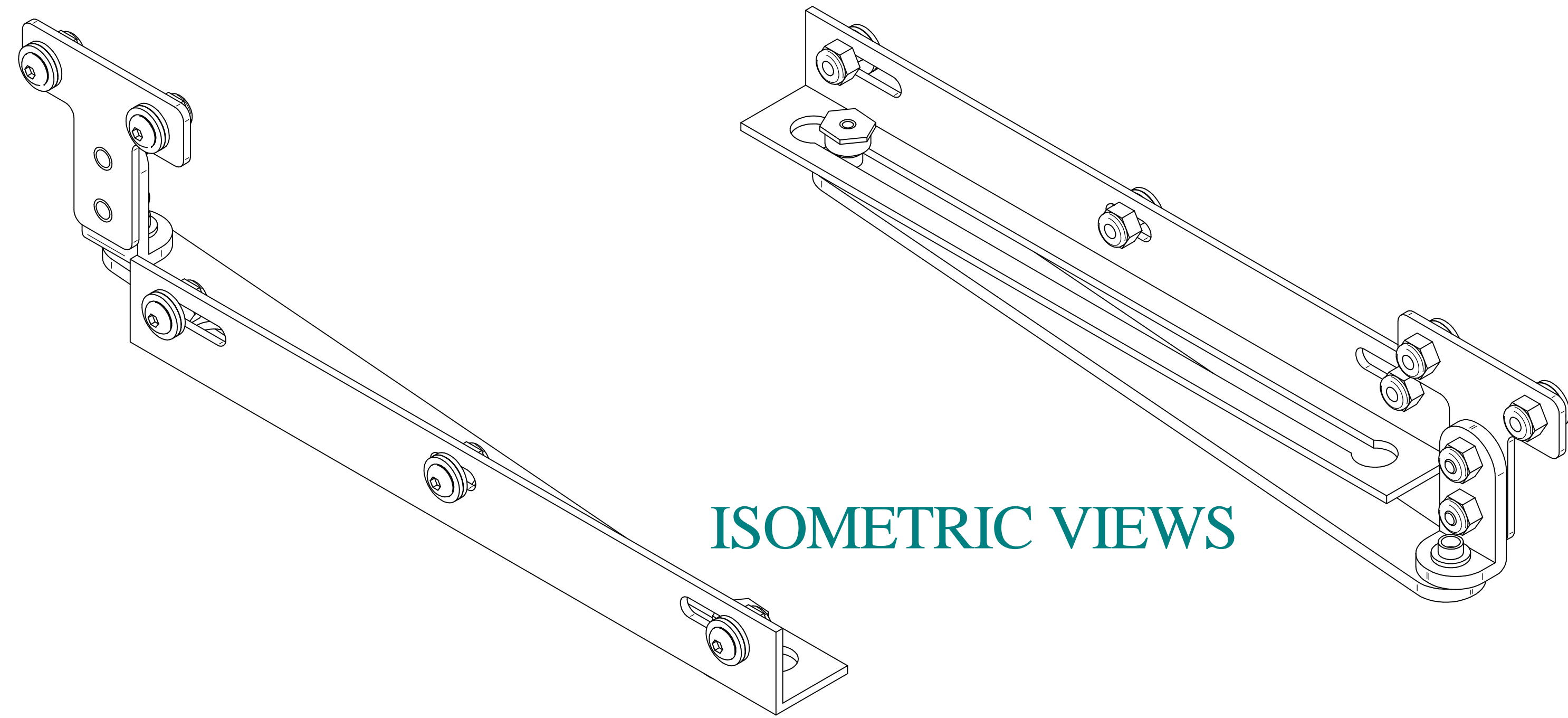
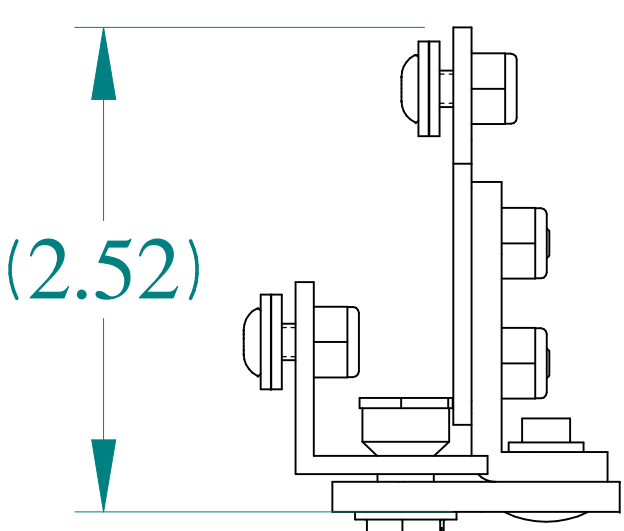


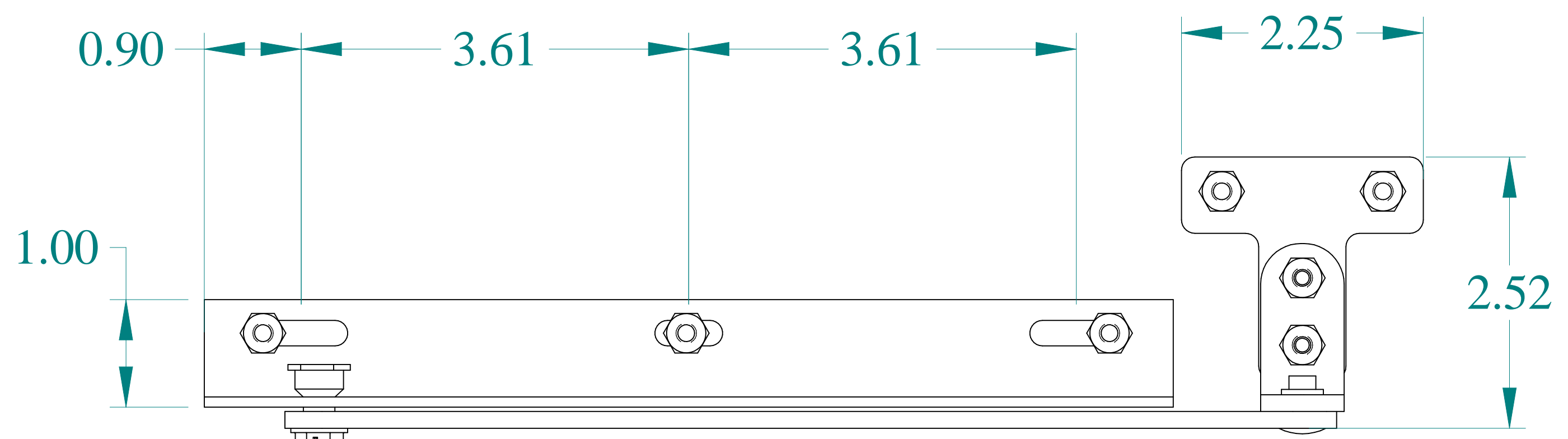
TOP VIEW



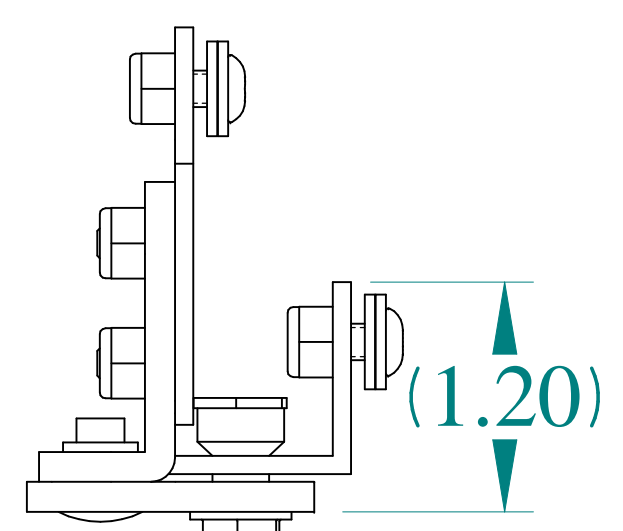
ISOMETRIC VIEWS



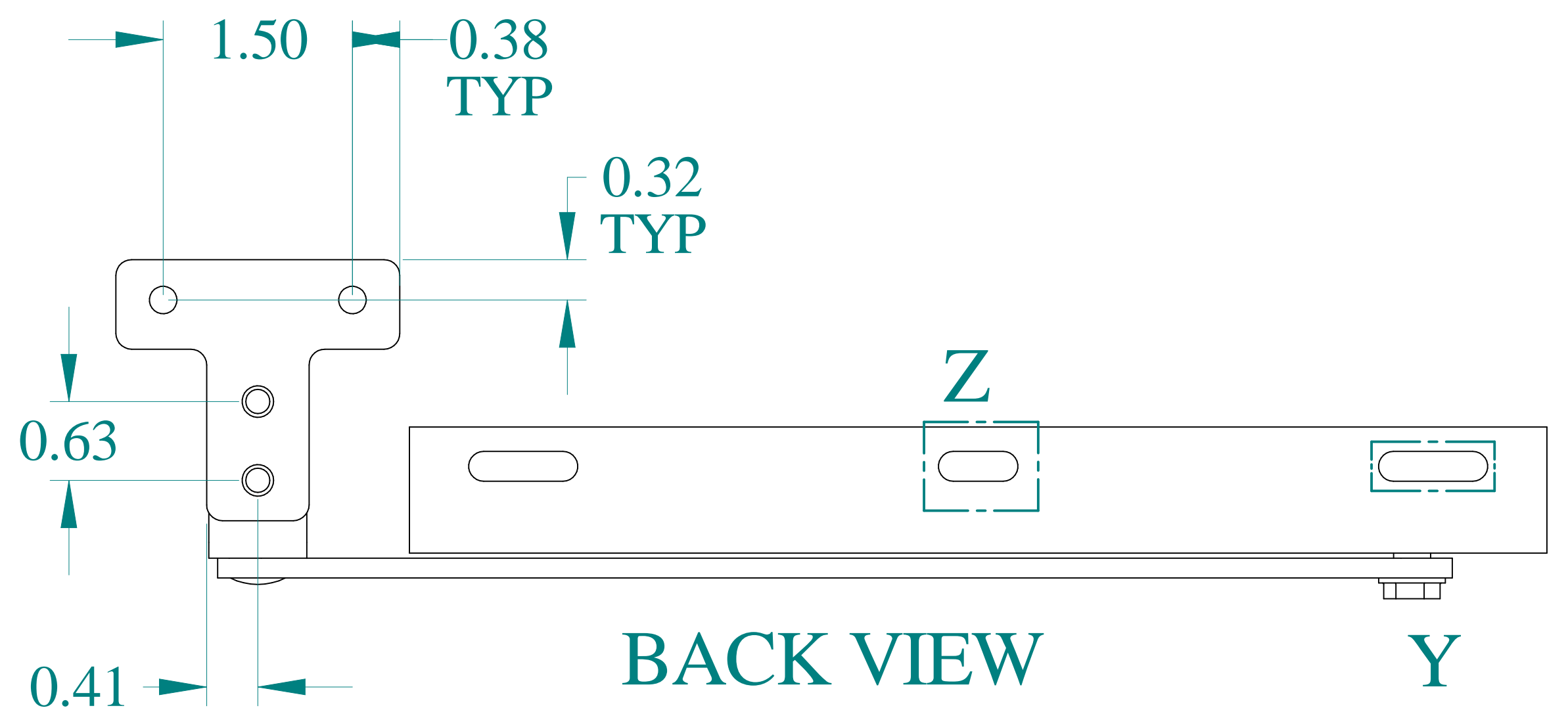
SIDE VIEW



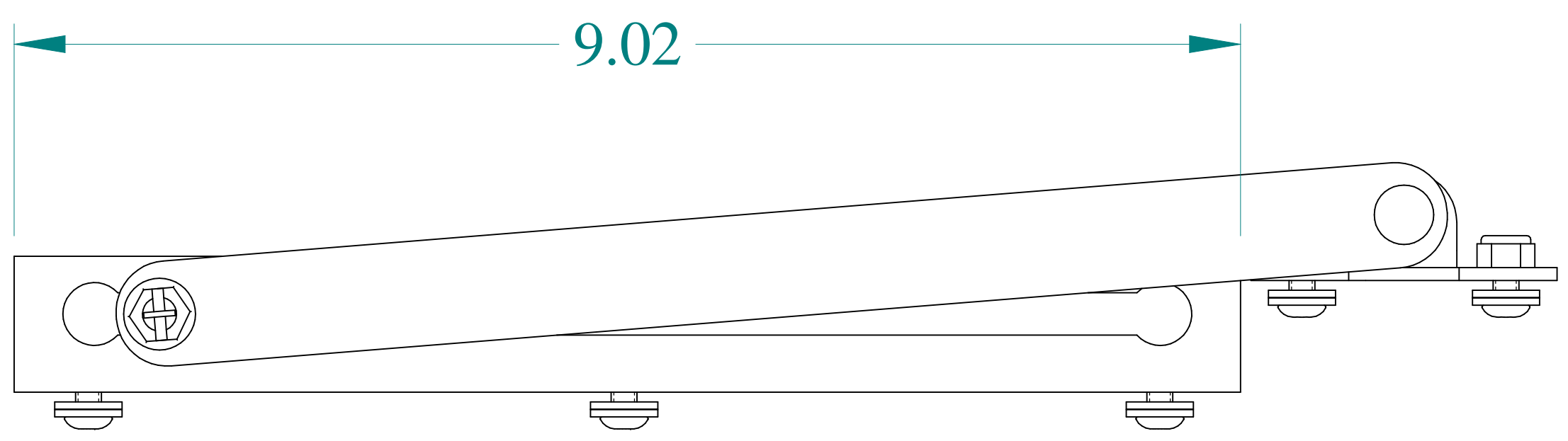
FRONT VIEW



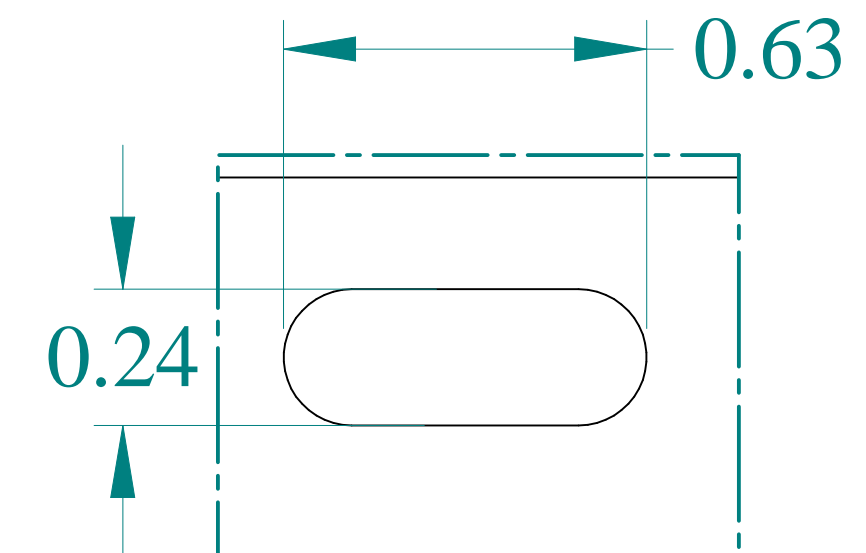
SIDE VIEW



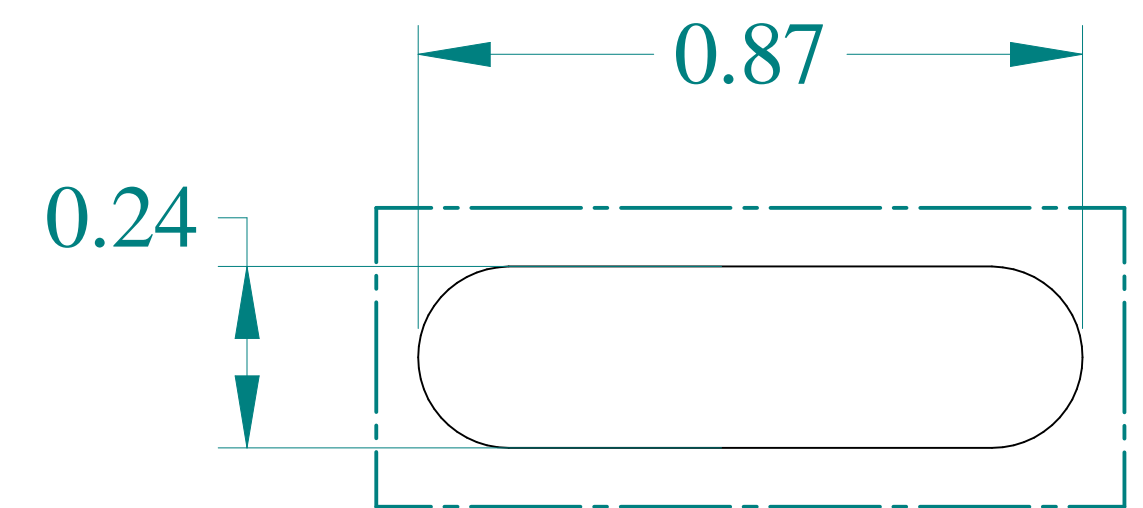
BACK VIEW



BOTTOM VIEW



DETAIL Z



DETAIL Y
TYP

HAMMOND
MANUFACTURING®

www.hammondmfg.com

Data subject to change without notice.

Part # : DSTOPK Date : May 27, 2020

Link: www.hamdf.com/DSTOPK