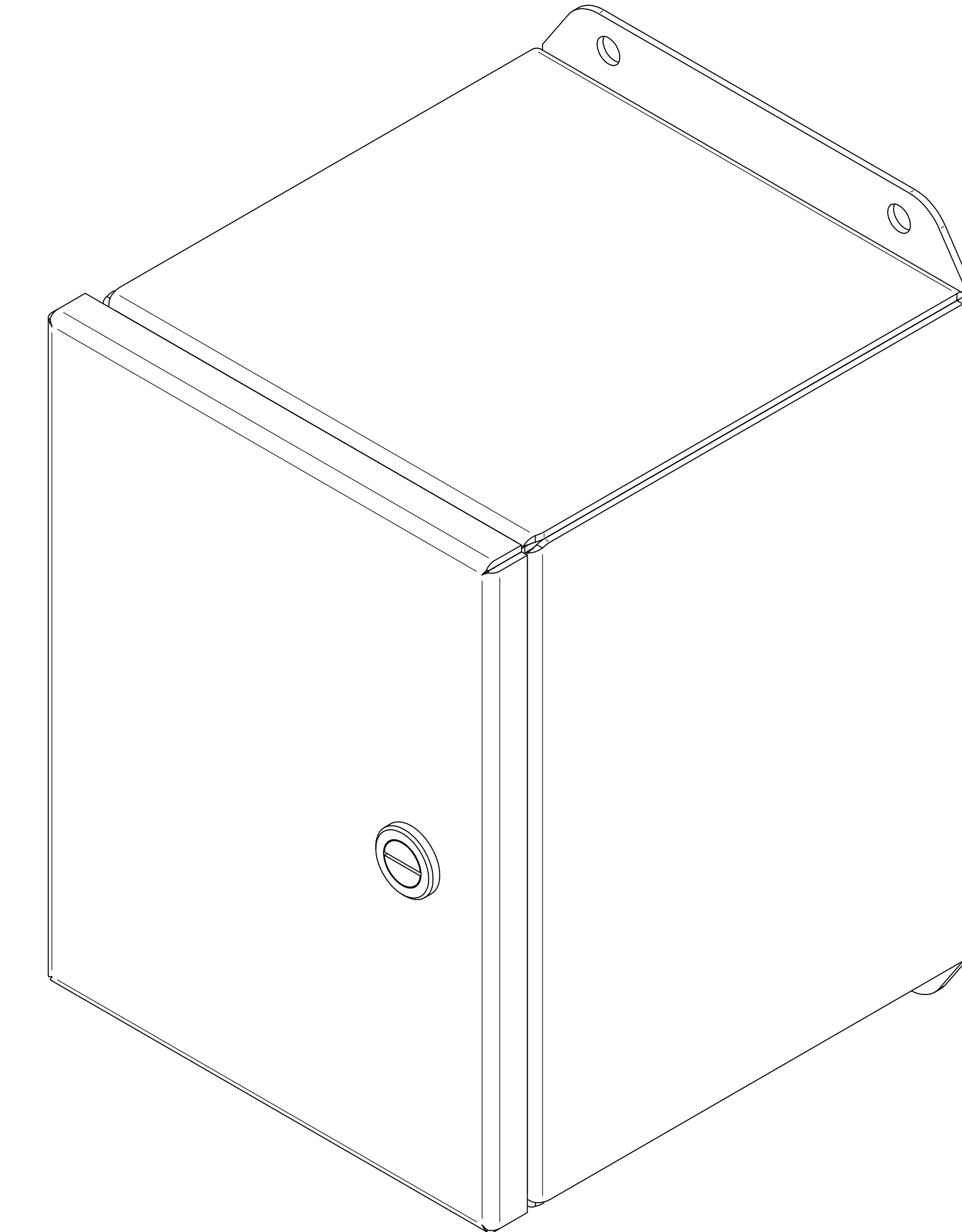
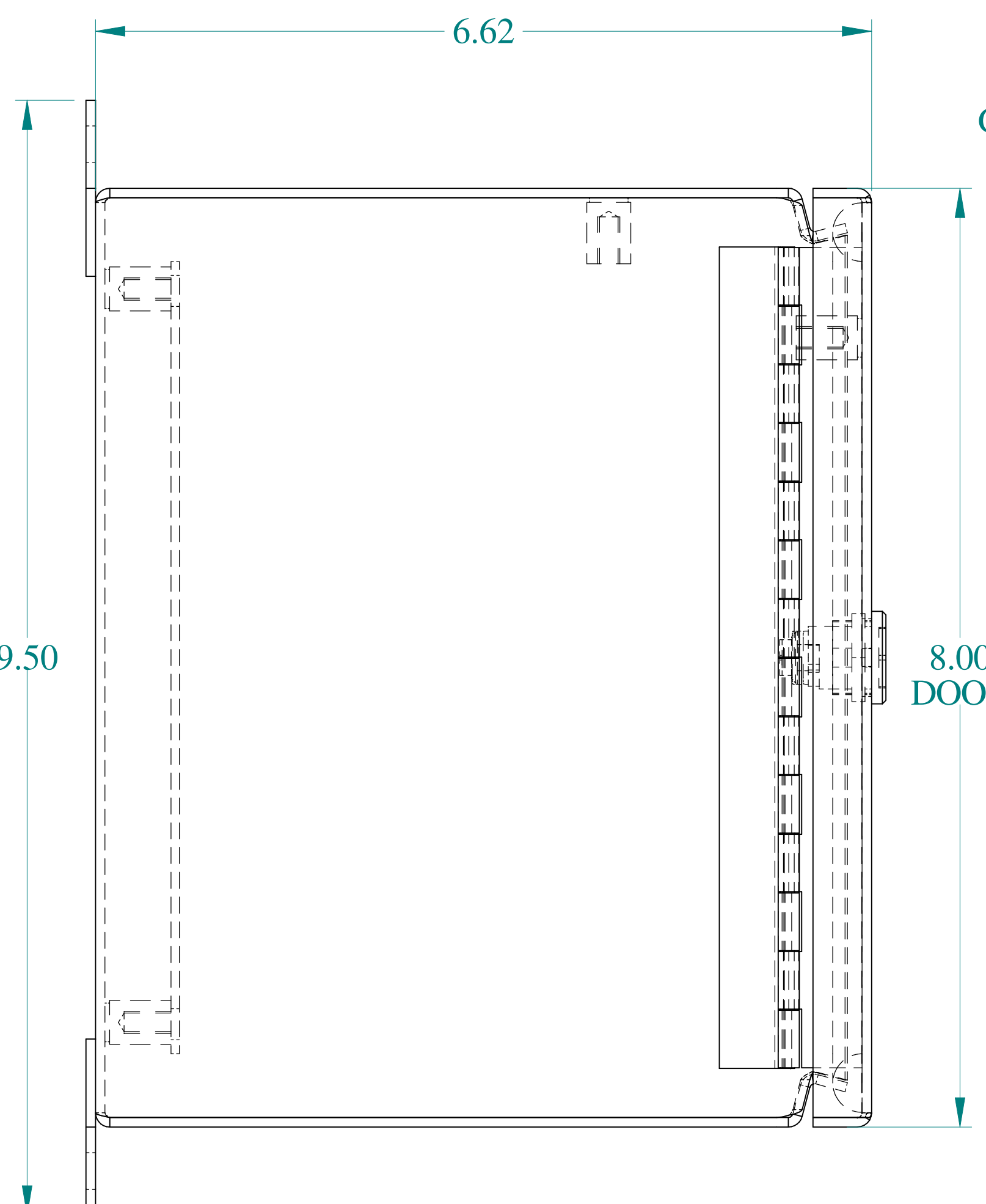
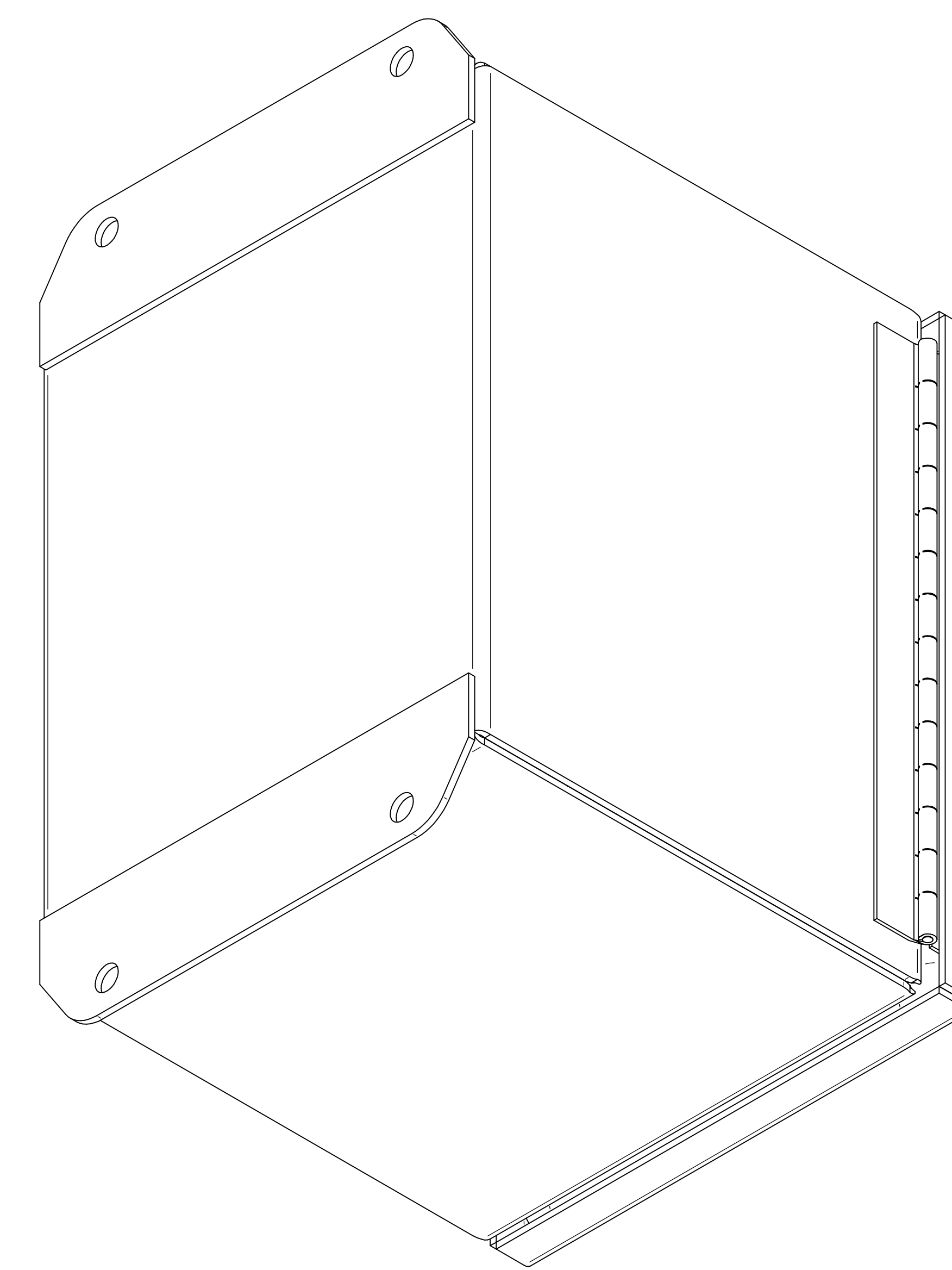


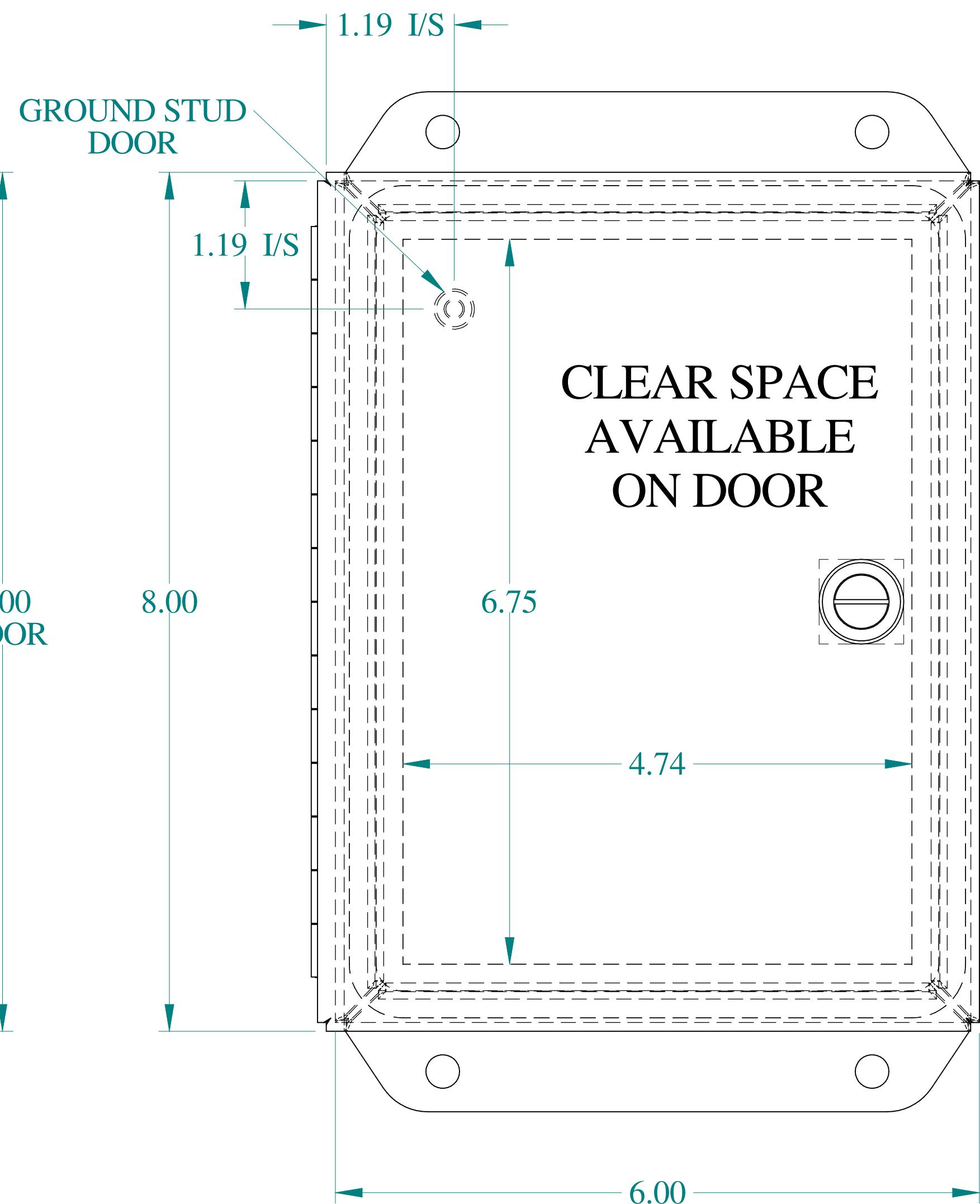
TOP VIEW



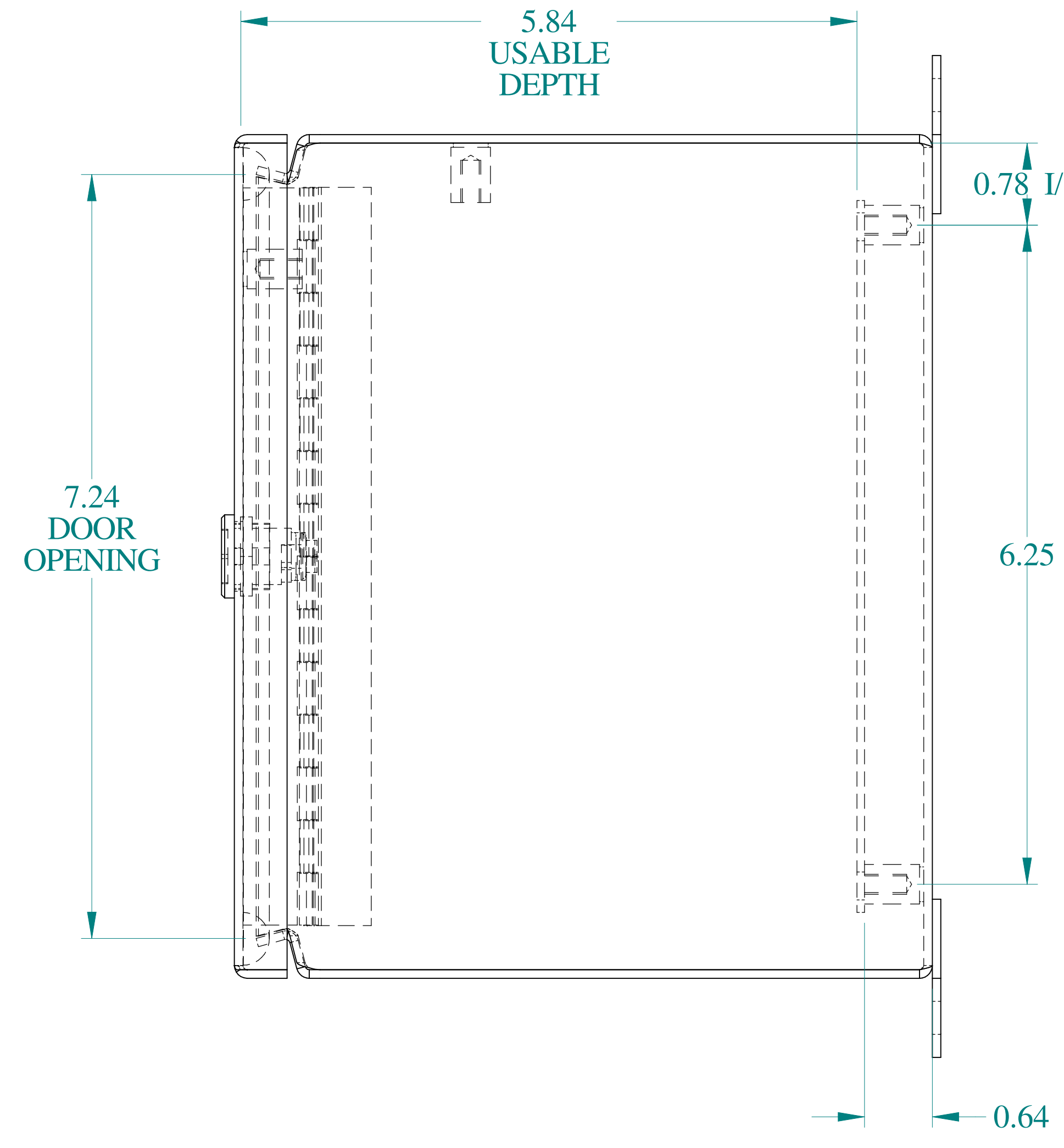
ISOMETRIC VIEWS



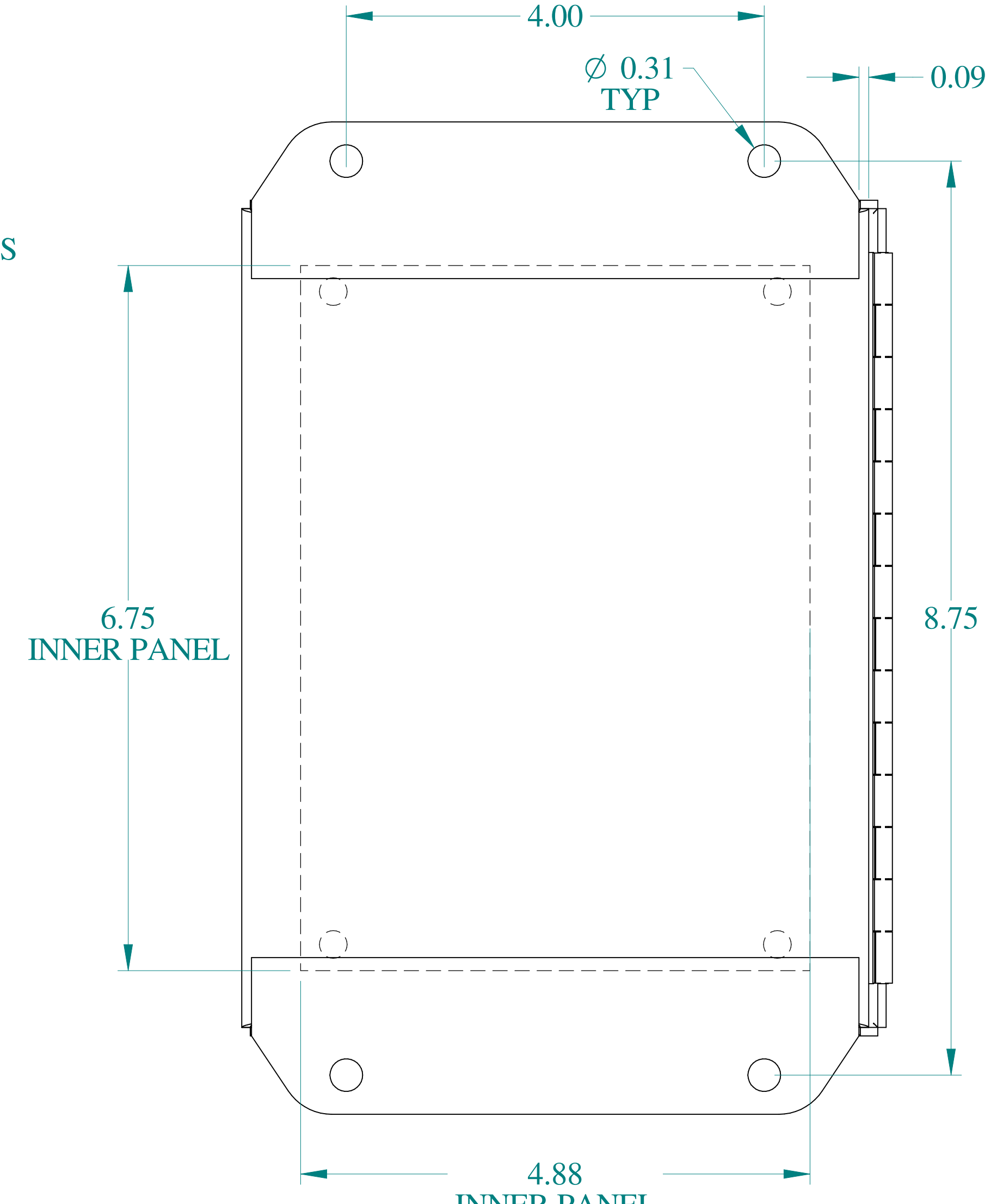
SIDE VIEW



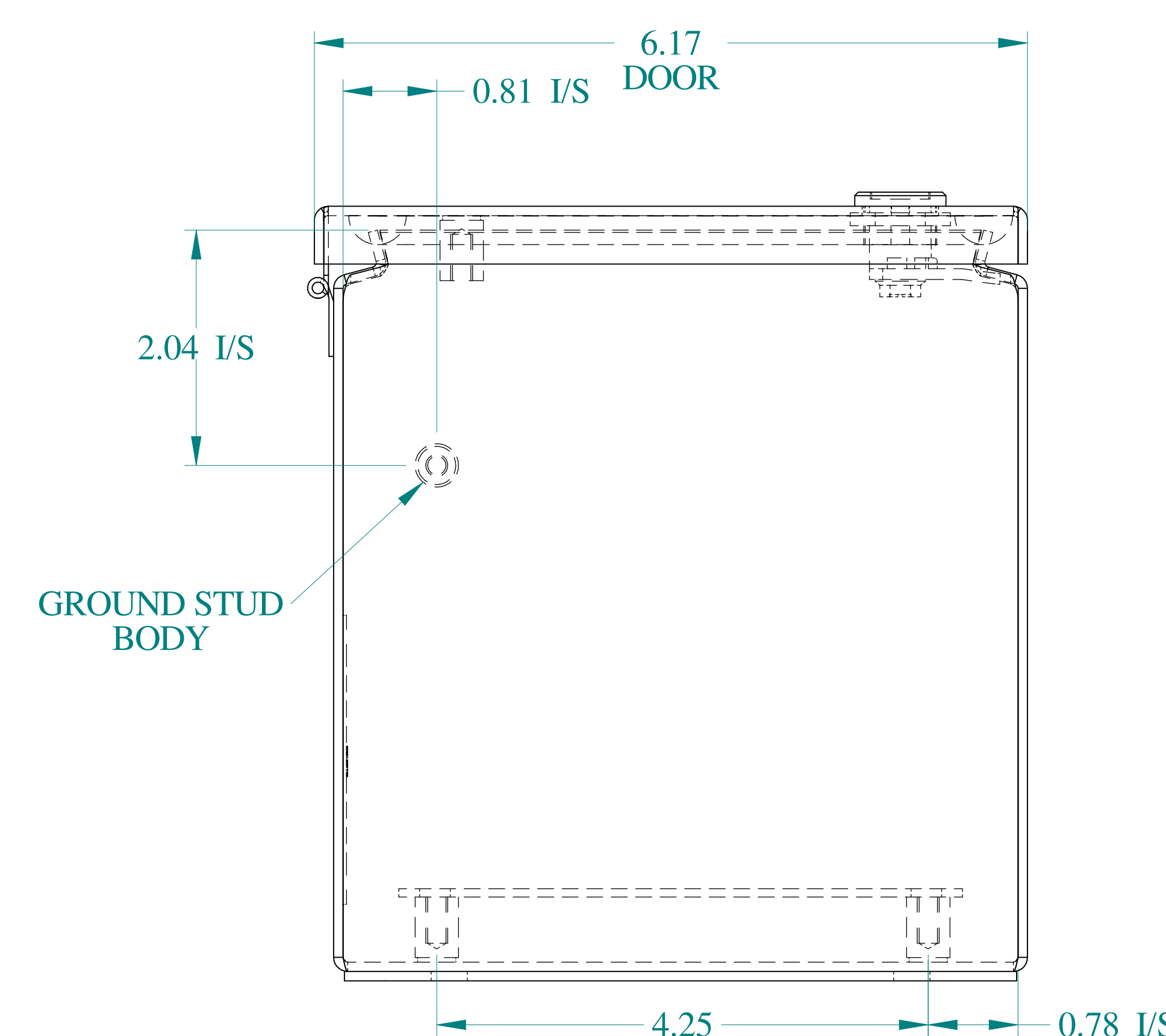
FRONT VIEW



SIDE VIEW



BACK VIEW



BOTTOM VIEW

**HAMMOND
MANUFACTURING®**

www.hammondmfg.com

Data subject to change without notice.

Part # : EJ866AL Date : Mar. 22, 2019

Link: www.hammg.com/EJ866AL