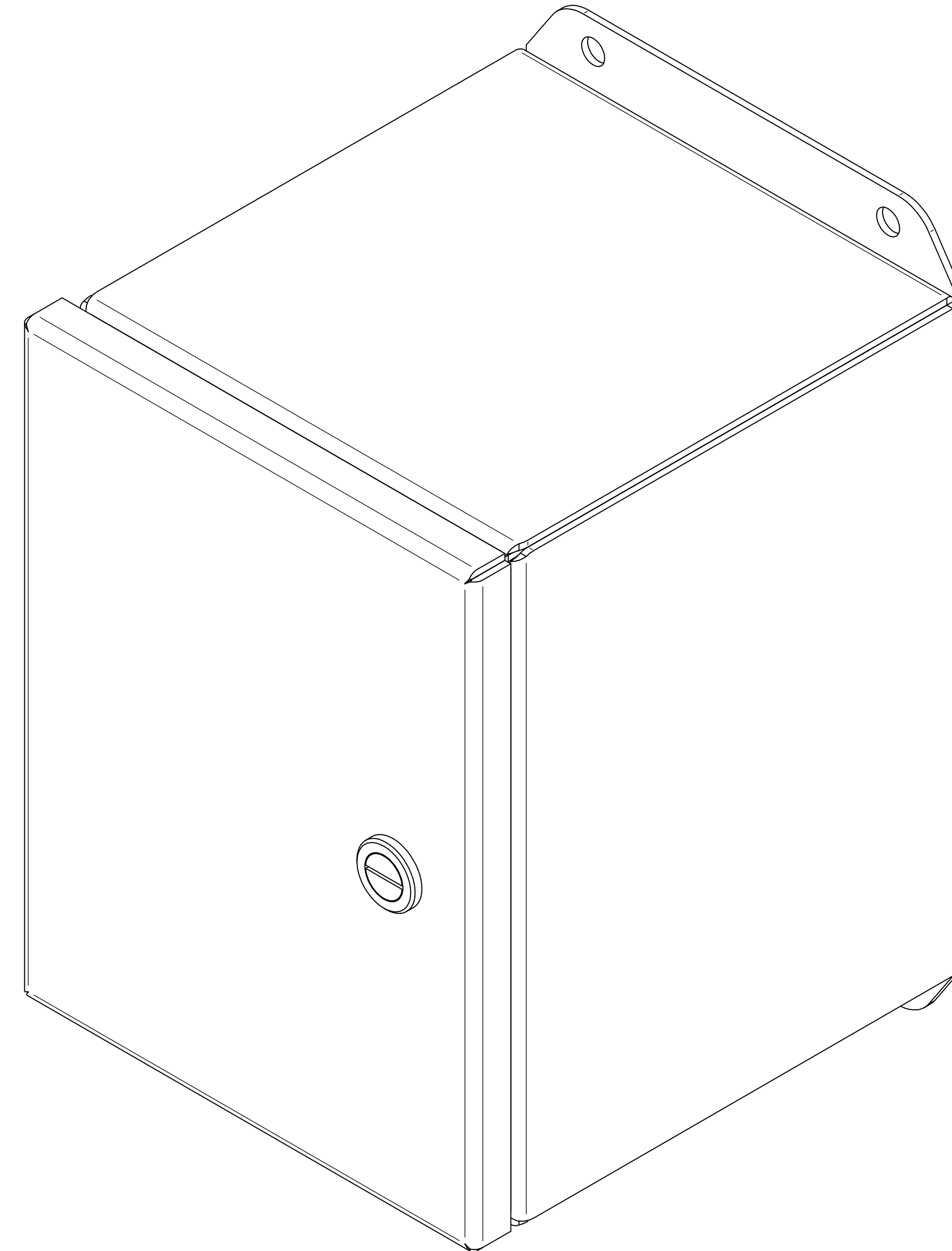
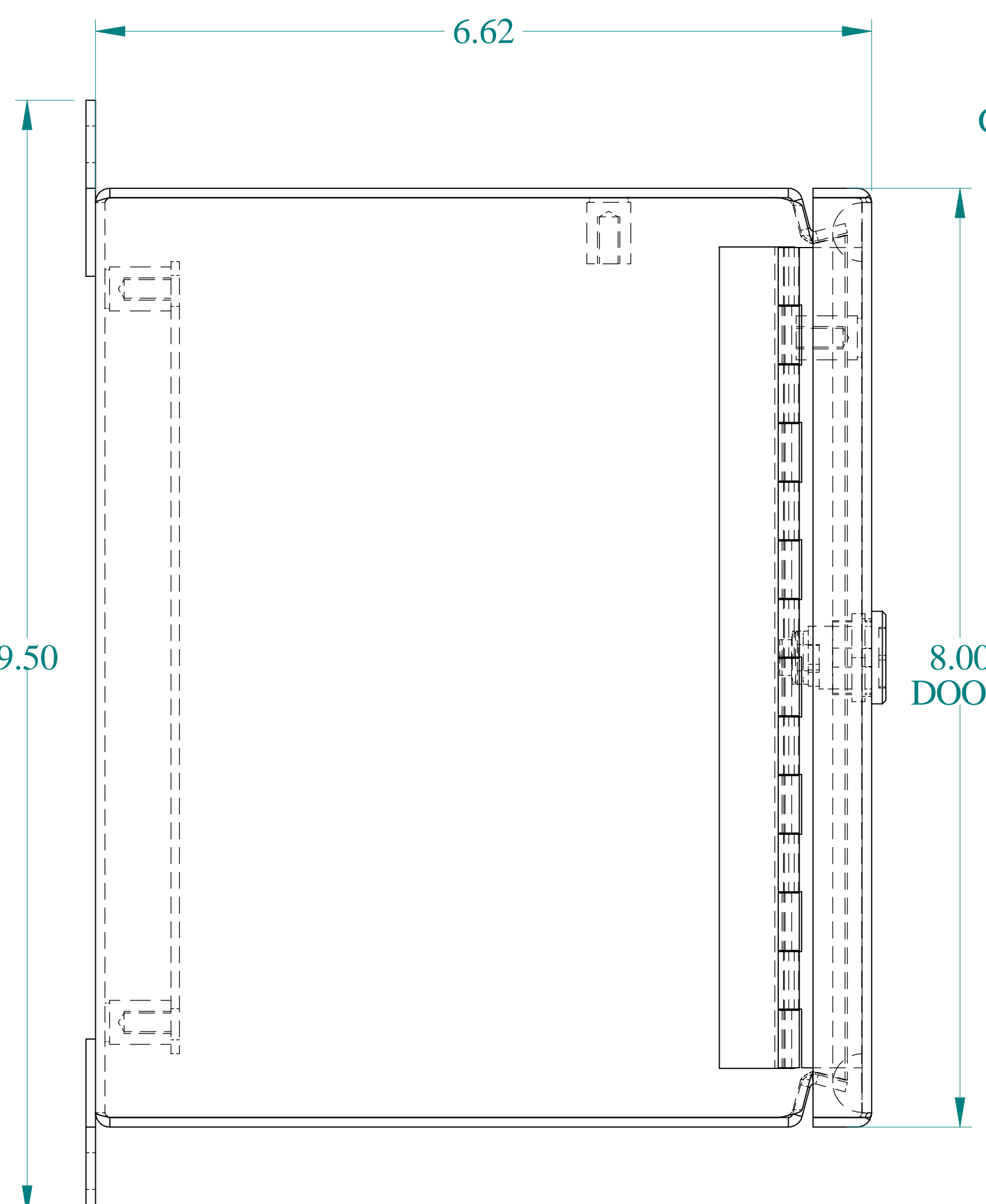


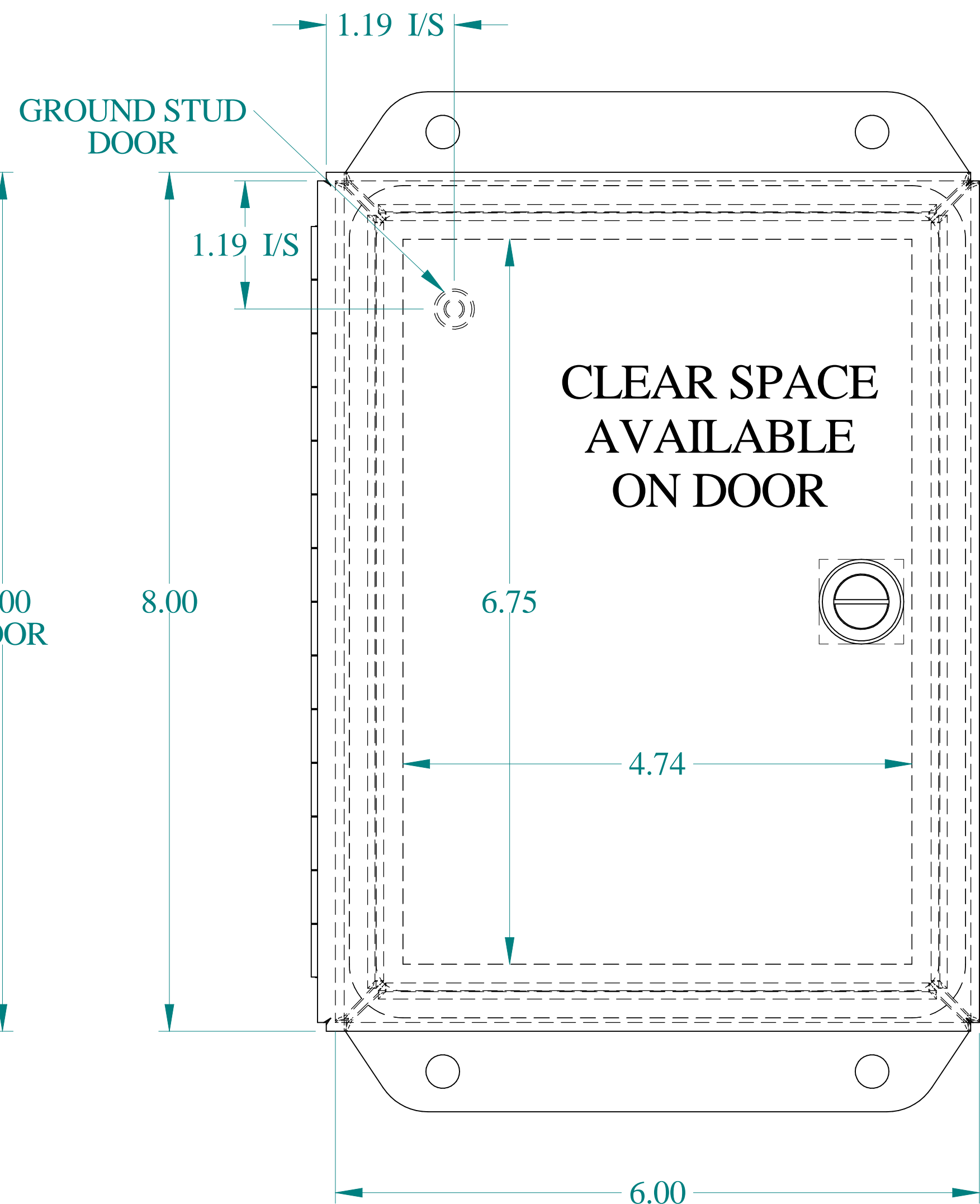
TOP VIEW



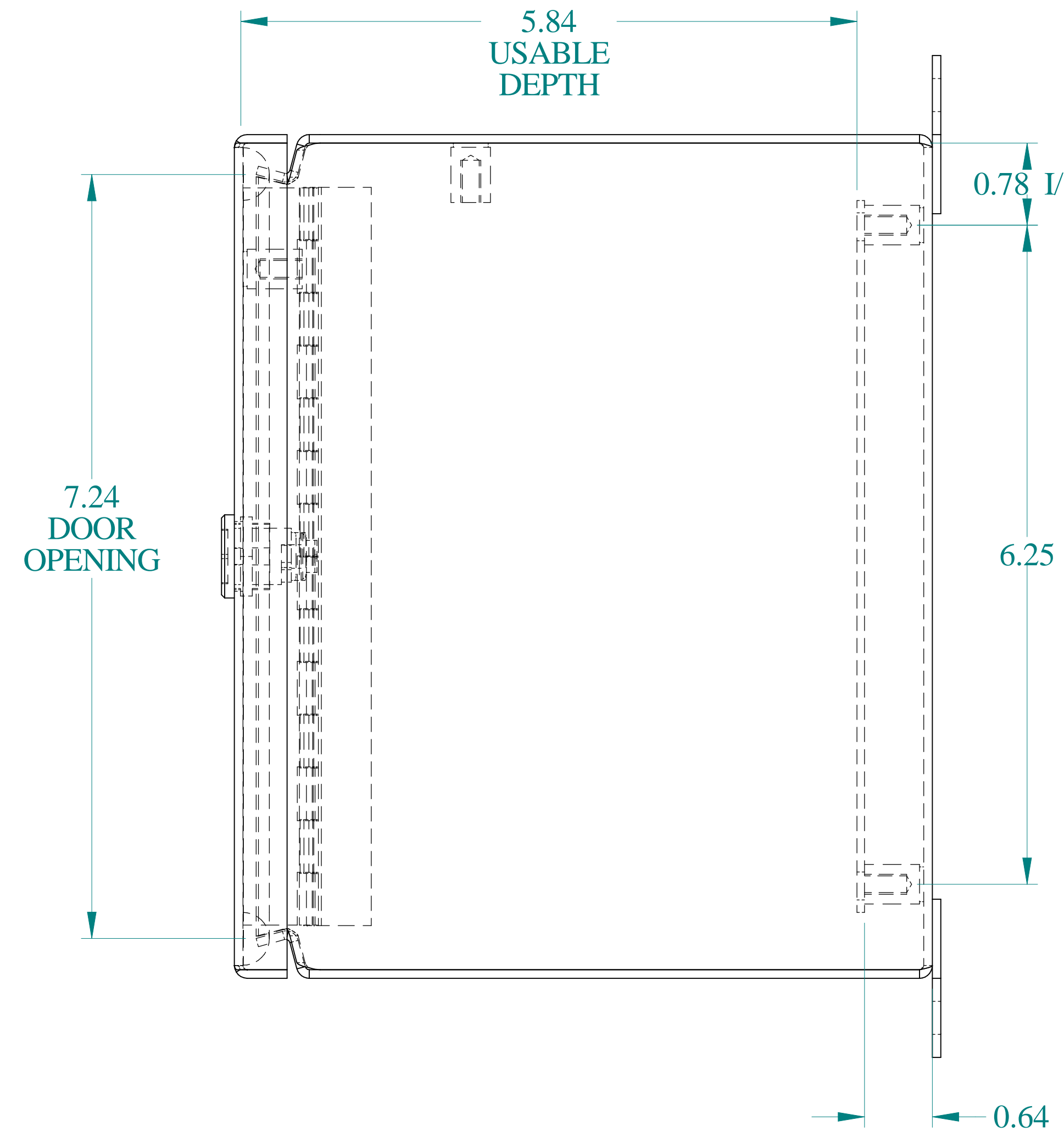
ISOMETRIC VIEWS



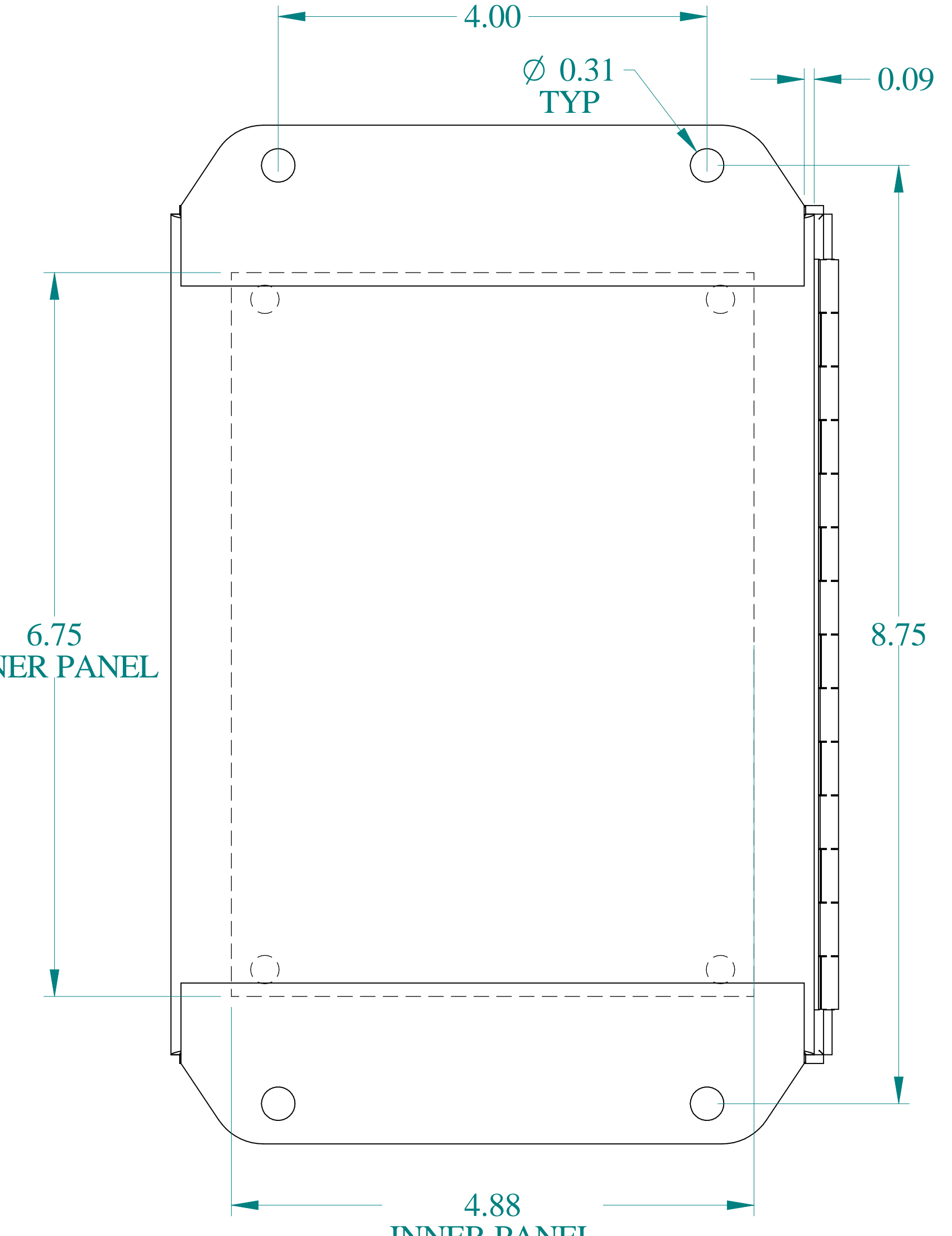
SIDE VIEW



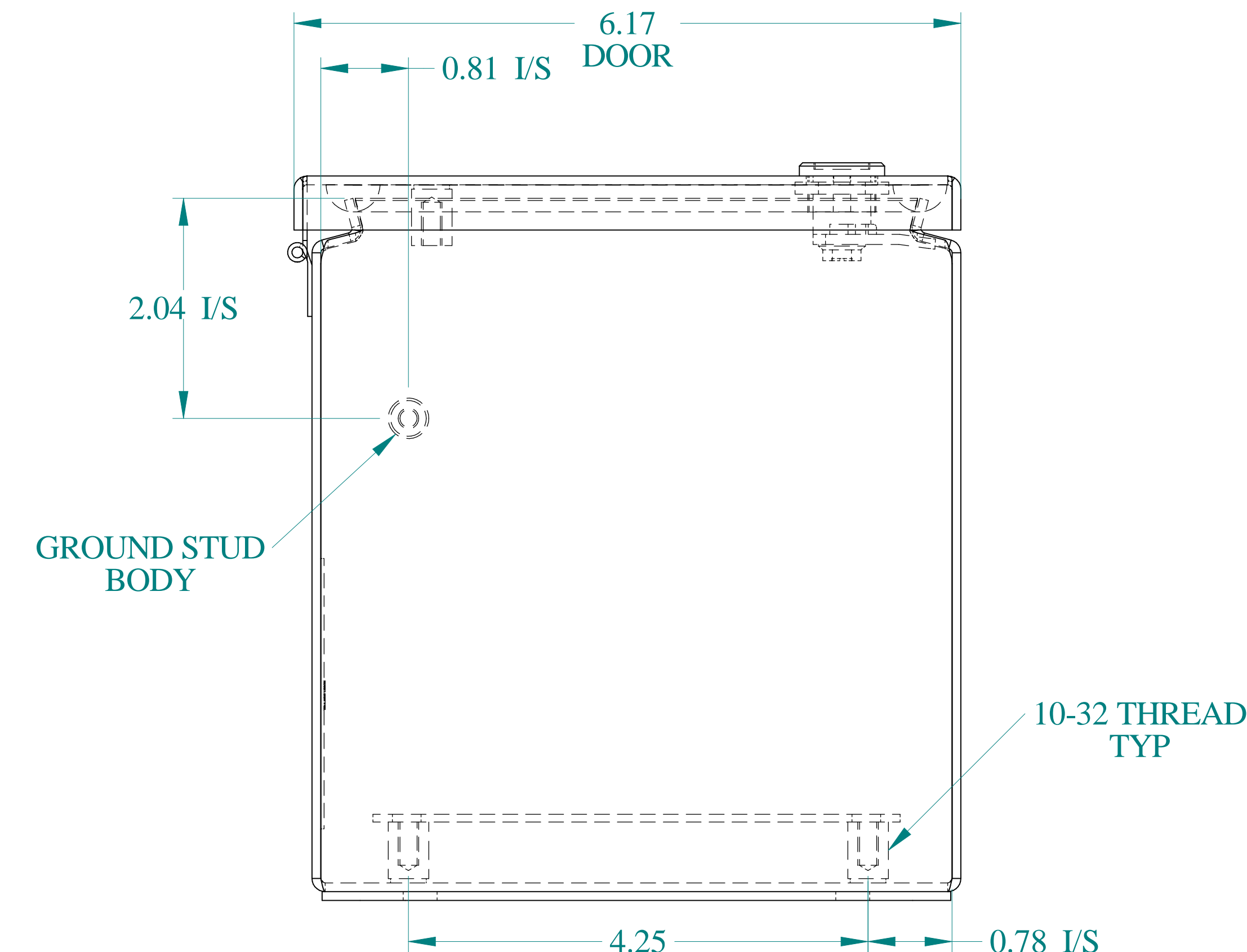
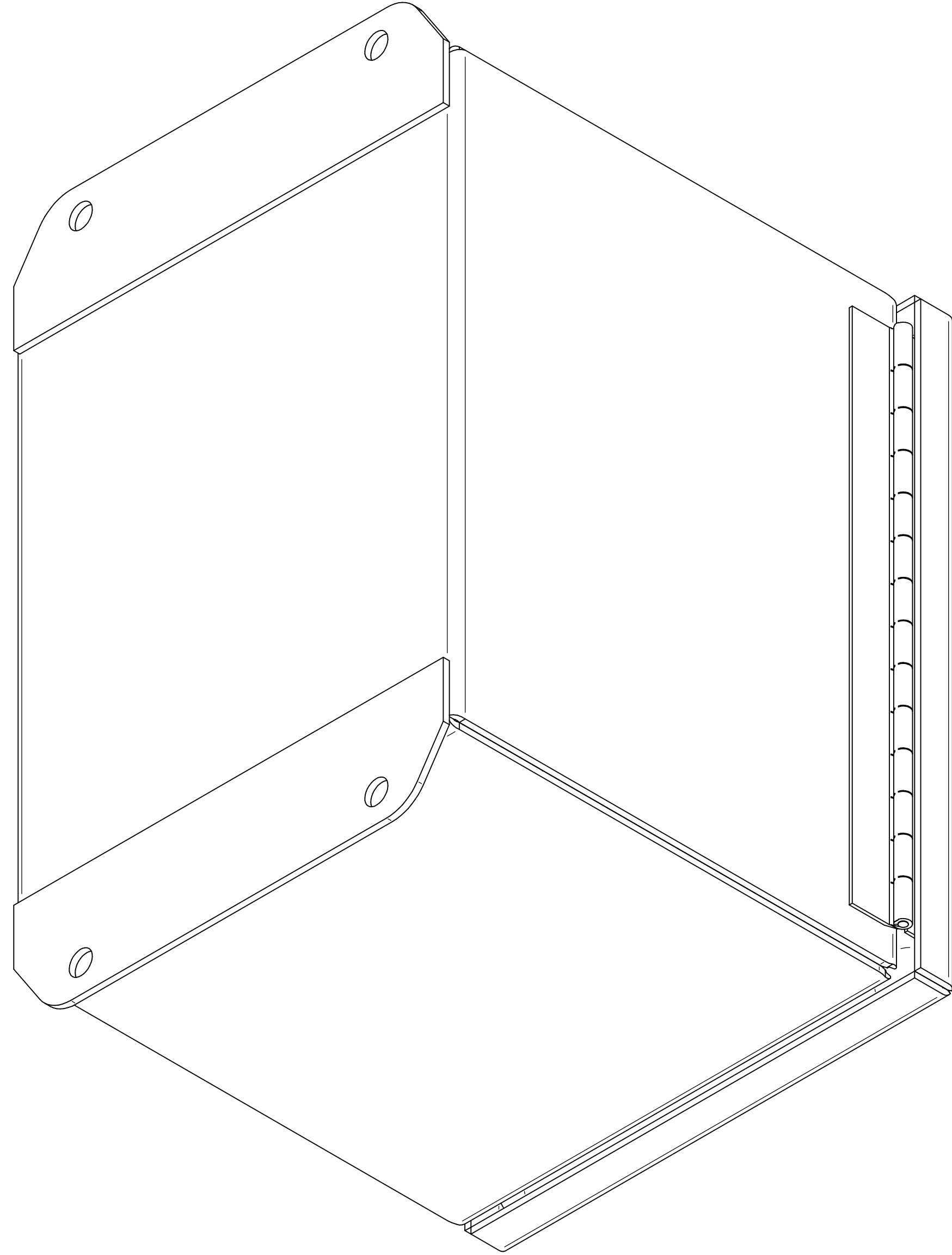
FRONT VIEW



SIDE VIEW



BACK VIEW



BOTTOM VIEW

HAMMOND MANUFACTURING®
www.hammondmfg.com

Data subject to change without notice.

Part #: EJ866AL Date: Oct. 18, 2023

Link: www.hammg.com/EJ866AL