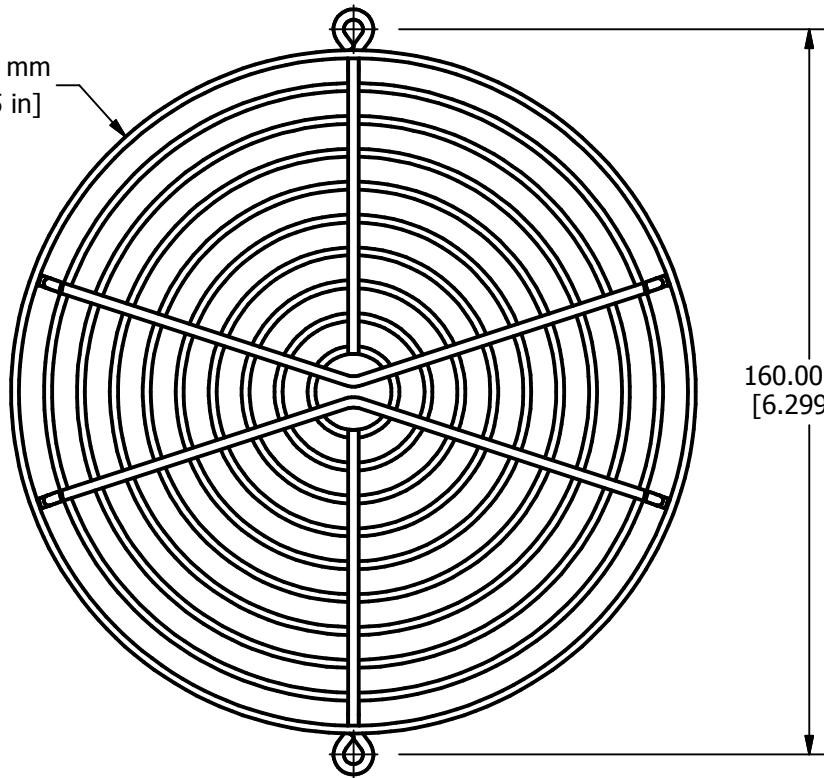


Ø150.75 mm  
[Ø5.935 in]

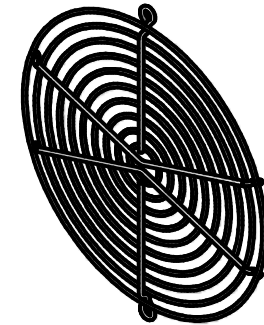


FRONT VIEW

6.35 mm  
[0.250 in]



SIDE VIEW



ISOMETRIC VIEW

Hardware

4 Screws - Panhead Self-tapping 10-32 x 1/2"



HAMMOND  
MANUFACTURING™

FAN150FG

[www.hammondmfg.com](http://www.hammondmfg.com)