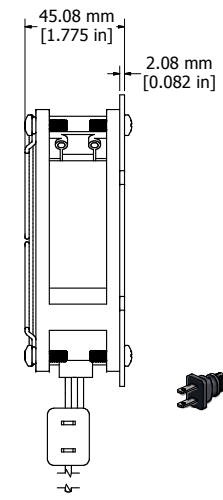
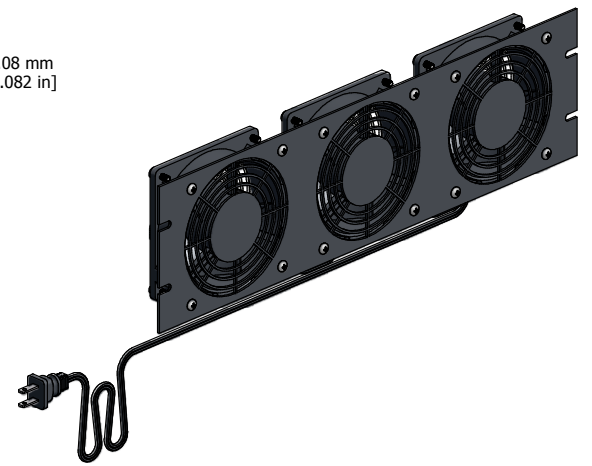


ASSEMBLY - VIEW FROM REAR

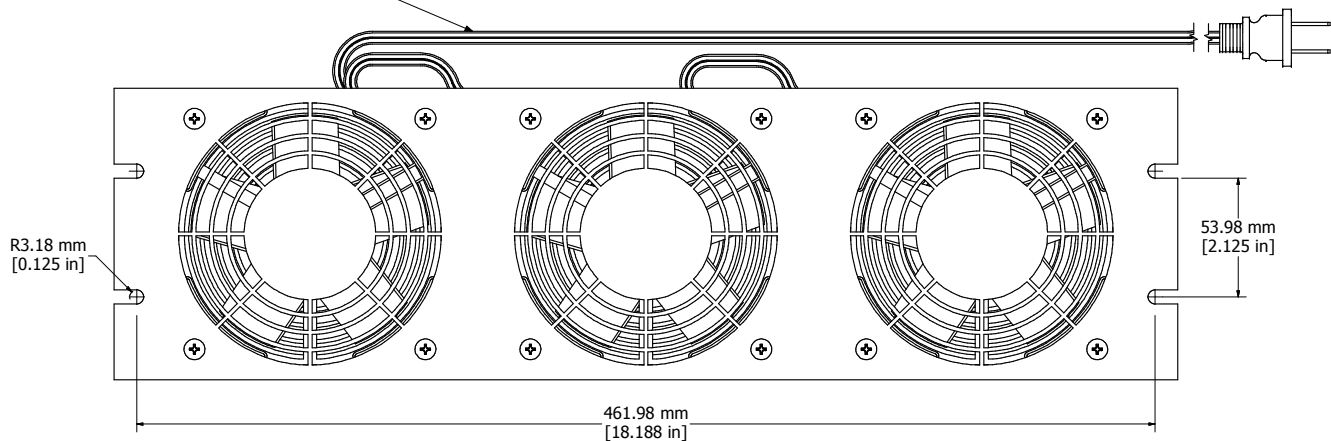


ASSEMBLY - VIEW FROM SIDE



ISOMETRIC VIEW

72" INCH POWER CORD



ASSEMBLY - VIEW FROM FRONT

<b>FP3F115</b>
Panel - Painted Black Steel
115 VAC, 50/60 Hz, 0.57 Amps, 300 CFM

**HAMMOND  
MANUFACTURING™**

**FP3F115**

www.hammondmfg.com