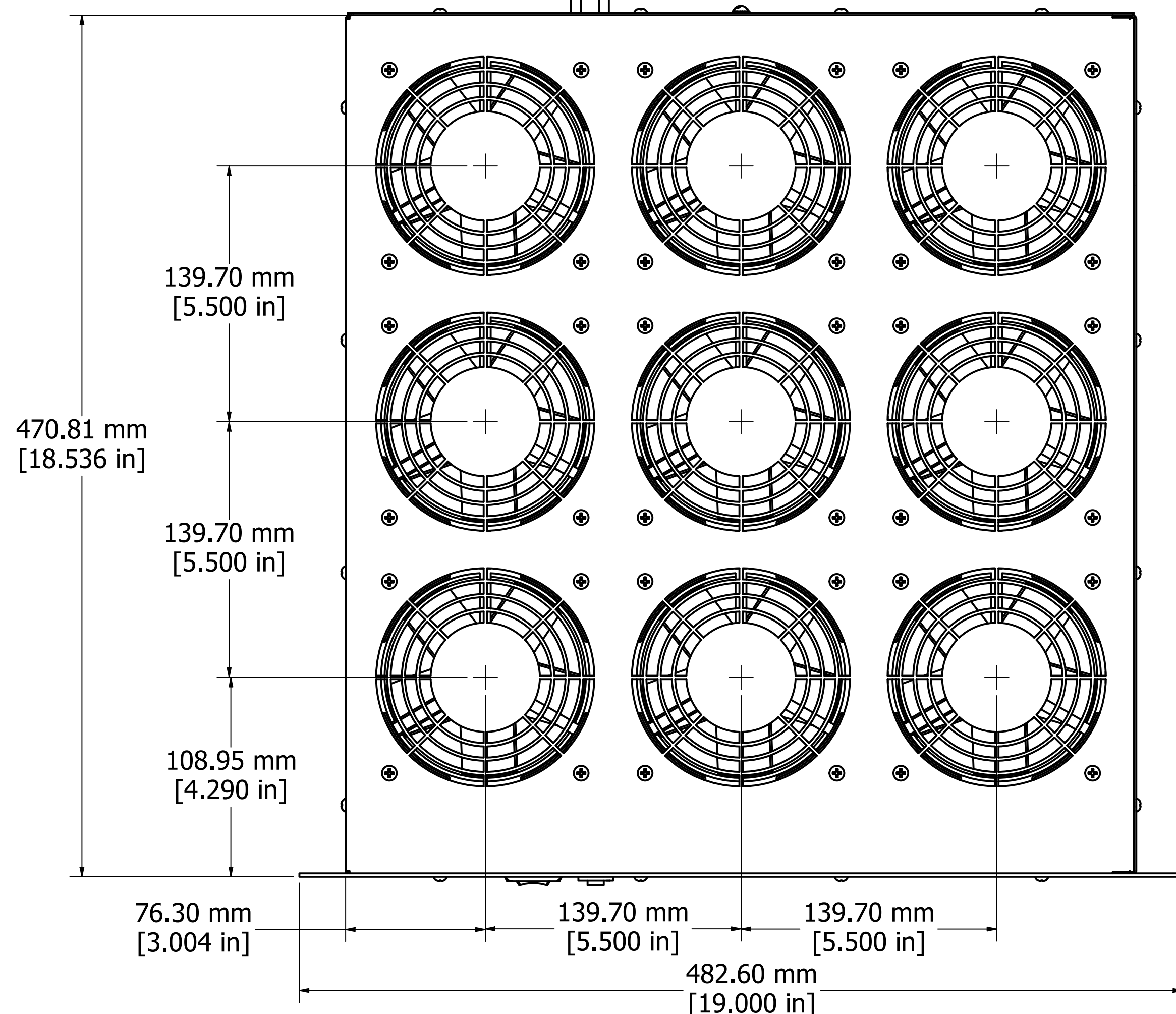


125V POWER CORD  
(NEMA 5-15P PLUG)

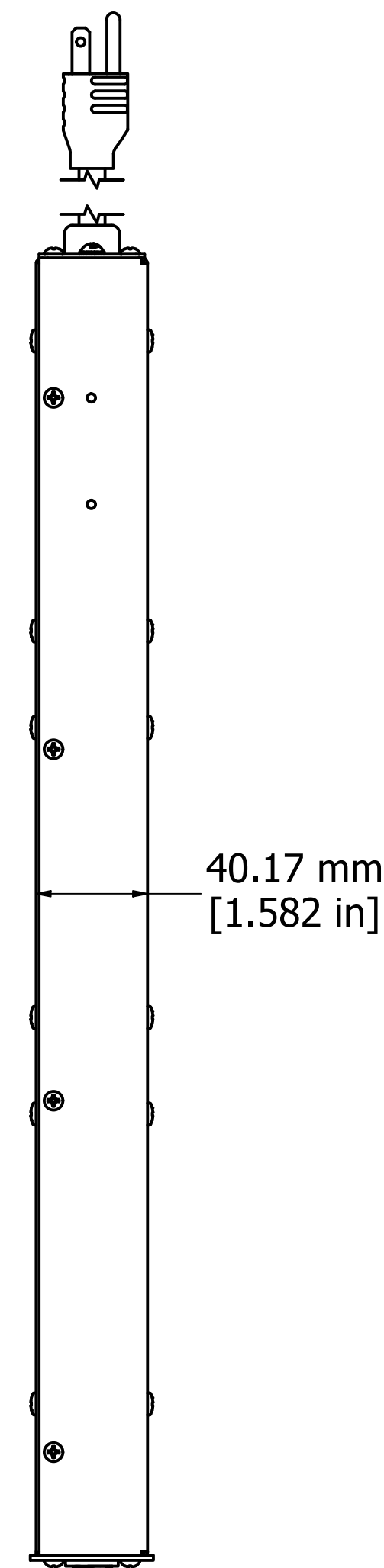
ASSEMBLY - VIEW FROM BACK



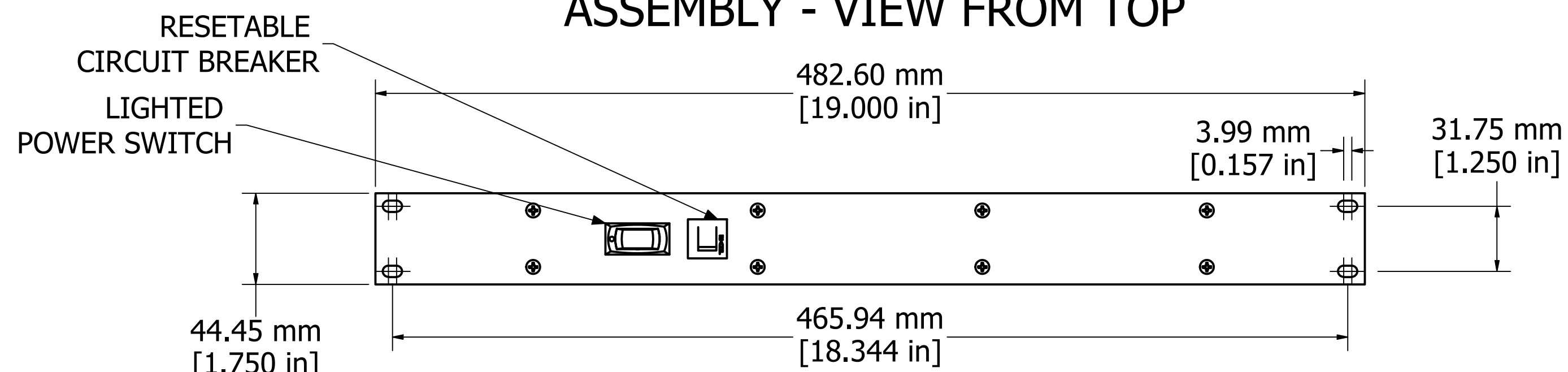
5' FOOT POWER CORD



ASSEMBLY - VIEW FROM TOP



ASSEMBLY - VIEW FROM SIDE



ASSEMBLY - VIEW FROM FRONT

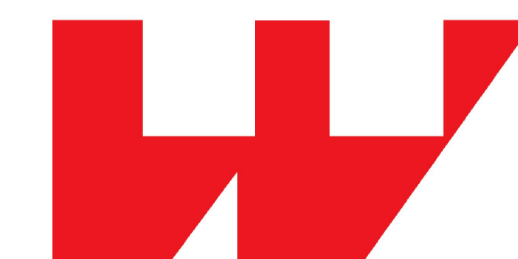


ASSEMBLY W/ EXTENSION BRACKETS

<b>FT900HA1BK</b>
Finish - Black Textured Powder Paint
Rated - 115 VAC, 60 Hz, 3 Amps
Free Flow Air Delivery - 900 CFM
Approvals - cURus Recognized UL507 and CSA C22.2 No.113
<b>ACCESSORIES INCLUDED</b>
Mounting Instructions
Rear Mount Brackets & Hardware
Extension Brackets & Hardware



**HAMMOND  
MANUFACTURING™**



**FT900HA1BK**

www.hammondmfg.com