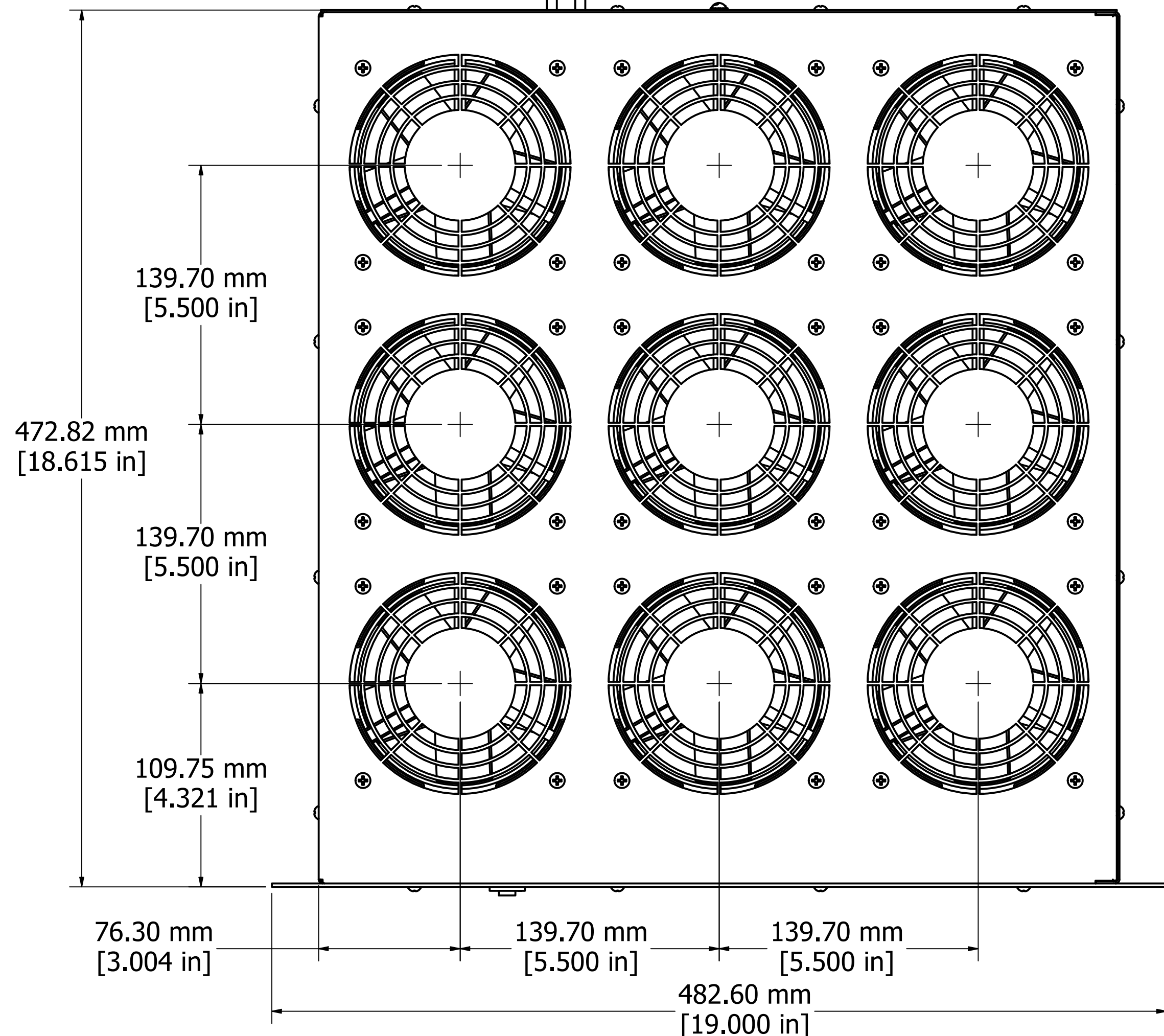
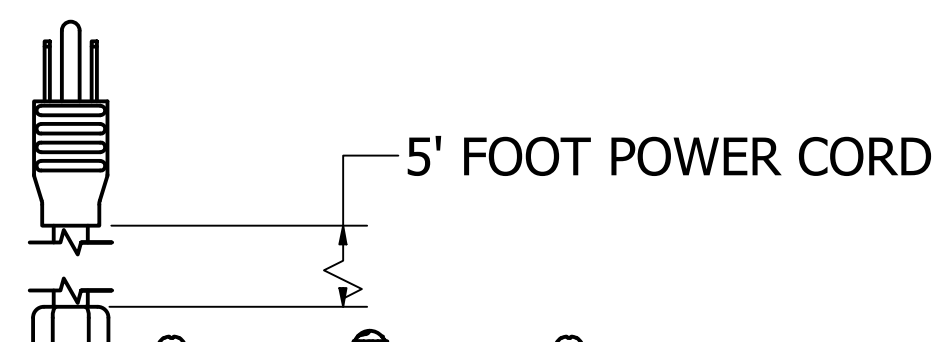
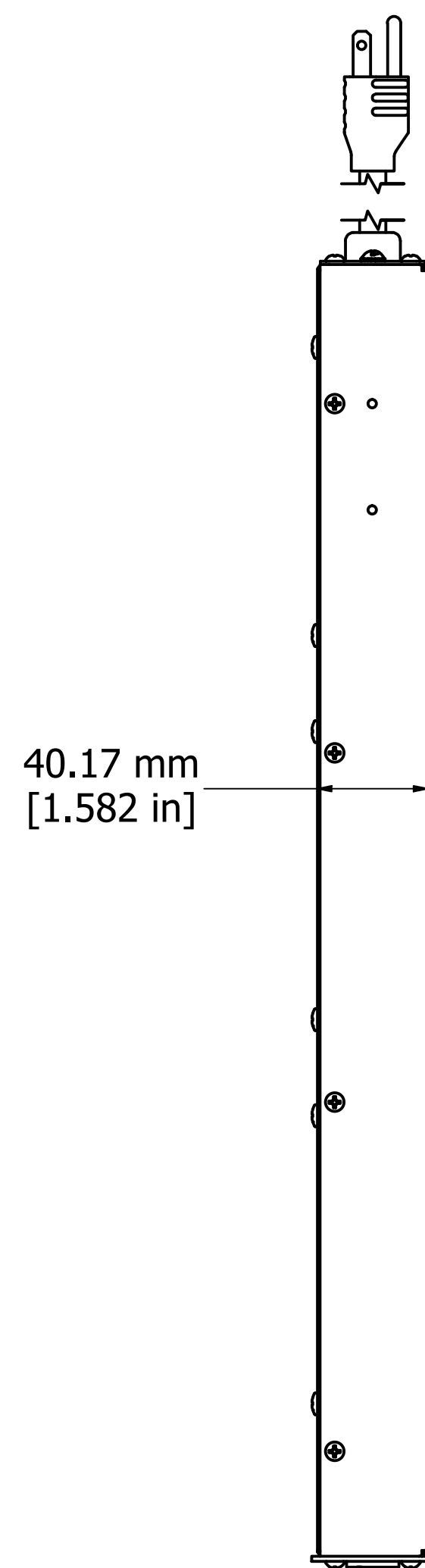


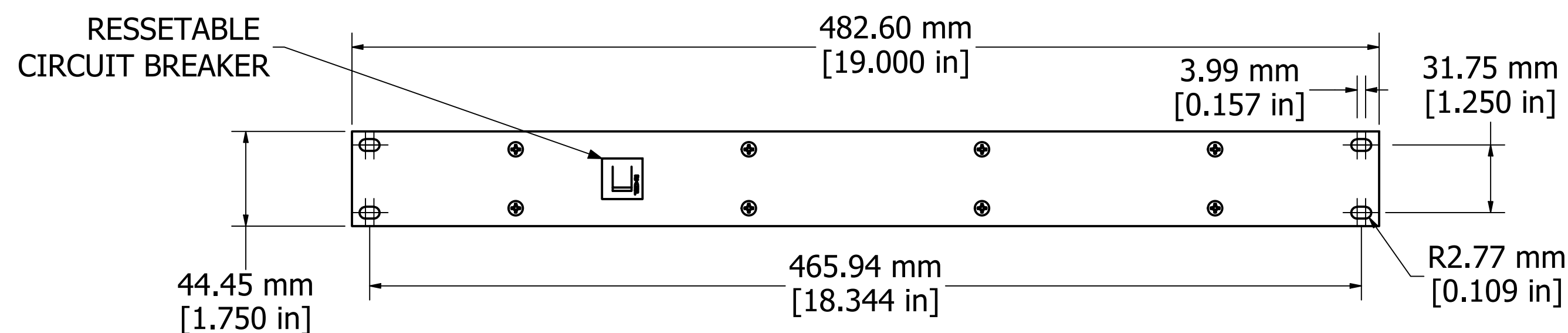
125V POWER CORD (NEMA 5-15P PLUG)
ASSEMBLY - VIEW FROM BACK



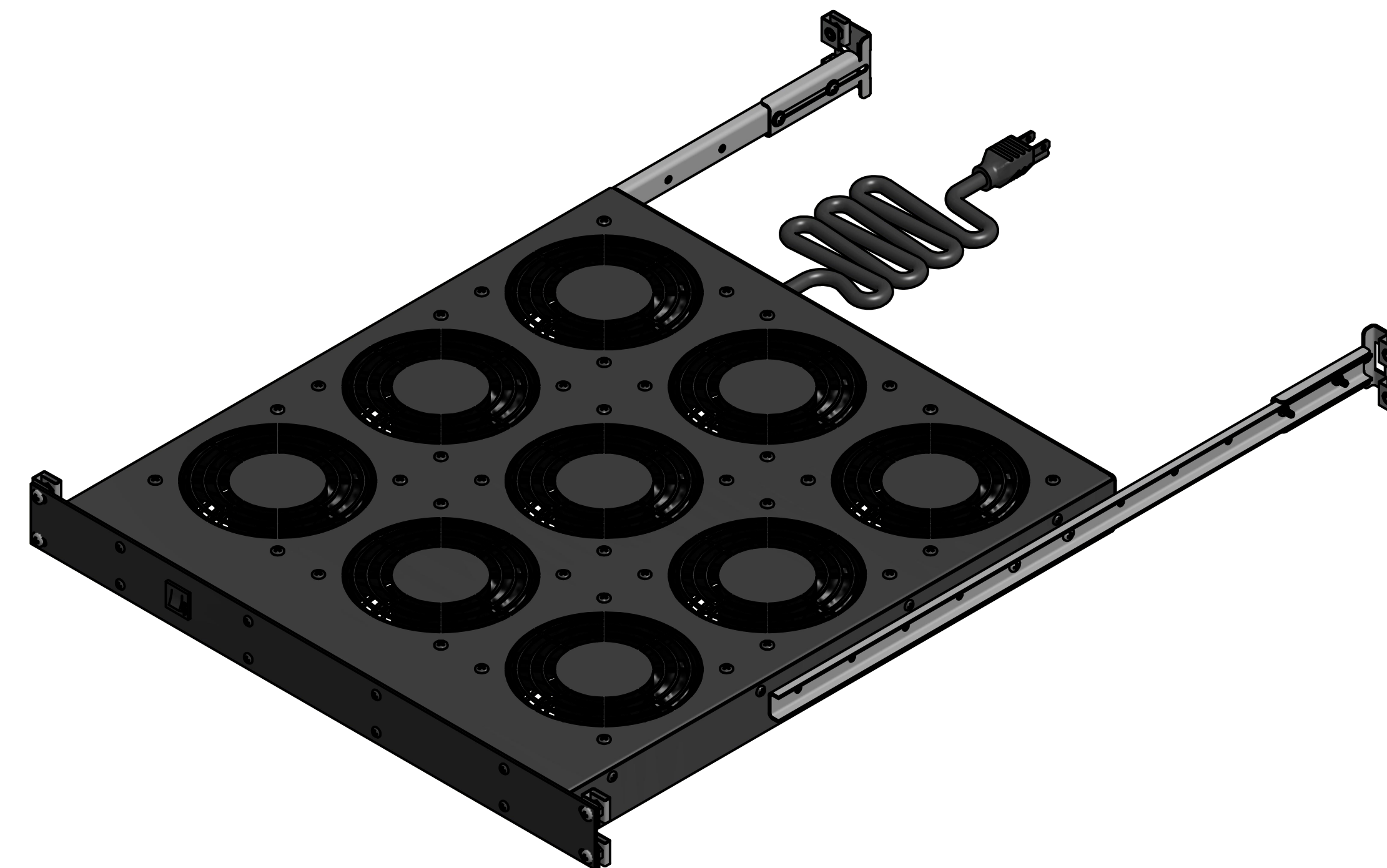
ASSEMBLY - VIEW FROM TOP



ASSEMBLY - VIEW FROM SIDE



ASSEMBLY - VIEW FROM FRONT

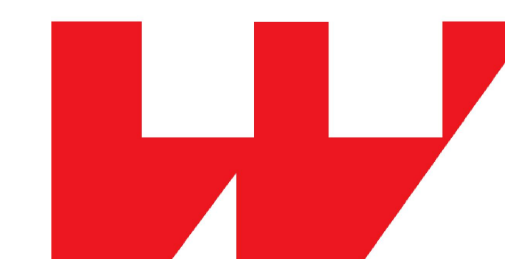


ASSEMBLY W/ EXTENSION BRACKETS

| |
|---|
| FT900TA1BK |
| Finish - Black Textured Powder Paint |
| Rated - 115 VAC, 60 Hz, 3 Amps |
| Free Flow Air Delivery - 900 CFM |
| Approvals - cURus Recognized UL507 and CSA C22.2 No.113 |
| ACCESSORIES INCLUDED |
| Mounting Instructions |
| Rear Mount Brackets & Hardware |
| Extension Brackets & Hardware |



**HAMMOND
 MANUFACTURING™**



FT900TA1BK

www.hammondmfg.com