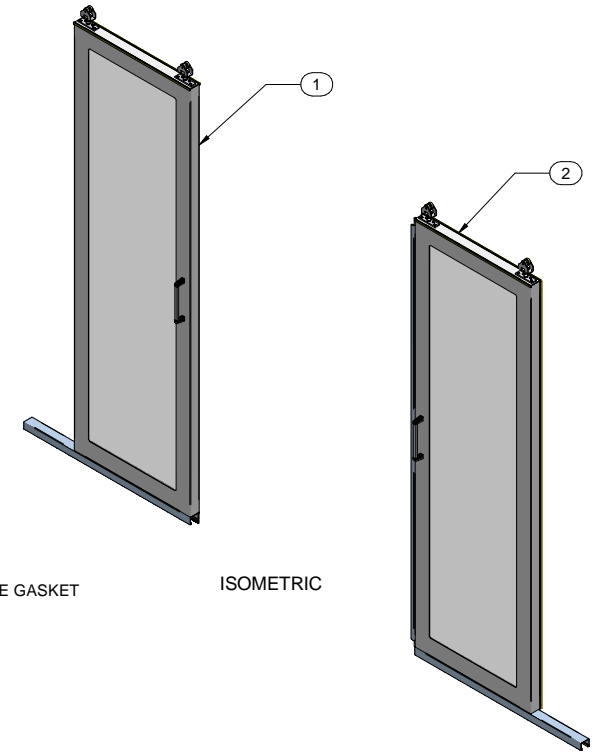
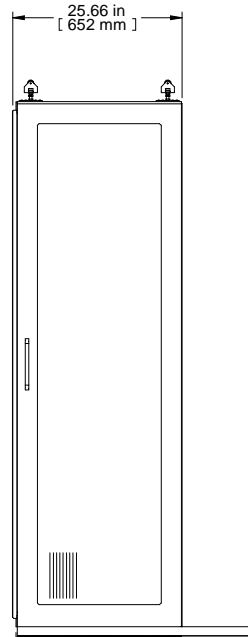
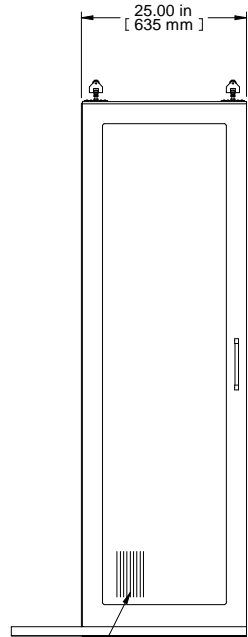


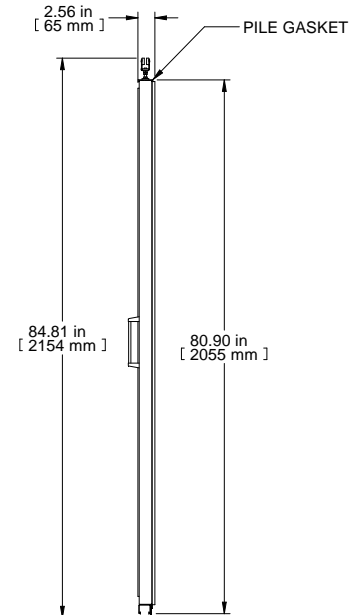
TOP VIEW



ISOMETRIC



FRONT VIEW



R.S. VIEW

CORR. POLYCARBONATE  
INSERT

BOTTOM BRUSH GASKET

Item Number	Title	Quantity
1	CS SLIDING DOOR ASS'Y LH	1
2	CS SLIDING DOOR ASS'Y RH	1

**PART NUMBERS**

**NOTES**

Designed for 48" Wide Aisles  
Includes Mounting Hardware  
Multi-Wall Polycarbonate Panel Fire Rated to CAN/ULC-S102.2  
See Hammond Website for More Information

**Français**

Pour tous les détails sur nos produits,  
svp veuillez consulter notre site [www.hammondmfg.com](http://www.hammondmfg.com)  
Data subject to change without notice. Isometric drawing not to scale.  
Les données sont sujettes à changement sans préavis.



PART NO.

HCS-DDR