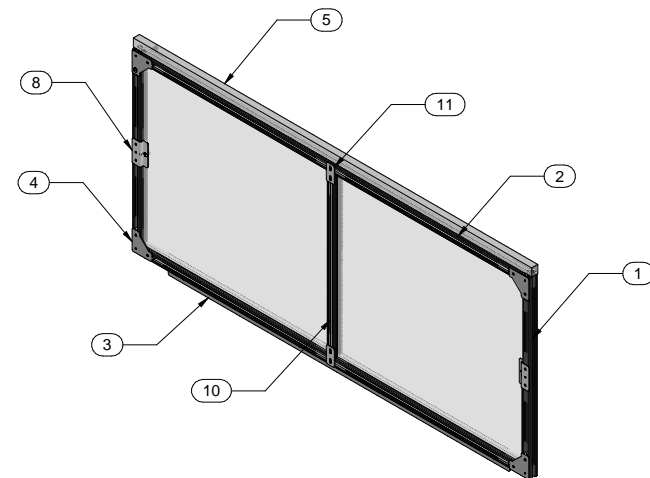
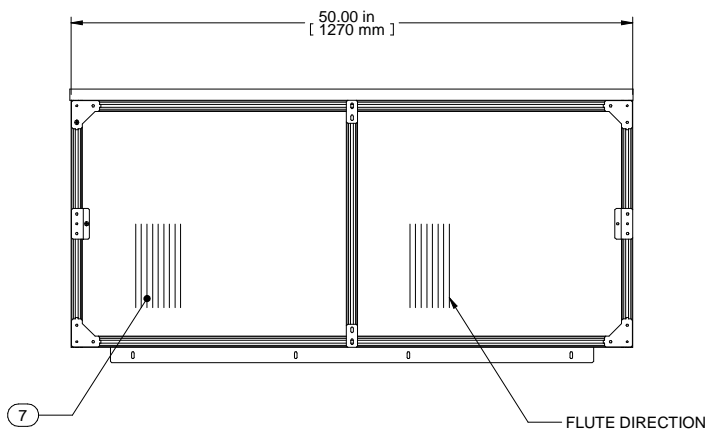




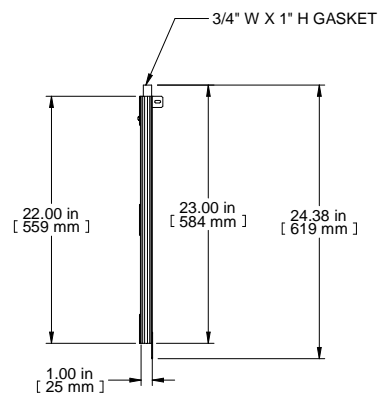
TOP VIEW



ISOMETRIC VIEW



FRONT VIEW



R.S. VIEW

Item Number	Title	Quantity
1	SIDE ALUM EXT	2
2	TOP/BOTTOM ALUM EXT	2
3	CS END/INN PANEL MTG BRKT 48"W	1
4	CS PANEL CORNER BRACKET	4
5	FOAM GASKET - 0.75" X 1.00"	1
6	CS PANEL INN L JOINING BRKT PANEL	2
7	CS PANEL CORR POLY CARB INSERT	2
8	CS PANEL MID SUPPORT BRKT	2
9	GSK.MONARCH 1/16X3/4 NEO.	1
10	MID ALUM EXT	1
11	CS PANEL JOINER PLATE	2

PART NUMBERS

HCS-TEP-2248 ALUMINUM EXTRUDED CHANNEL

NOTES

Designed for 48" Wide Aisle
 Multi-Wall Polycarbonate Panel Fire Rated to CAN/ULC-S102.2
 Gasket Material Fire Rated to UL94HF1
 Includes Mounting Hardware
 See Hammond Website for More Information

Français

Pour tous les détails sur nos produits,
 svp veuillez consulter notre site www.hammondmfg.com
 Data subject to change without notice. Isometric drawing not to scale.
 Les données sont sujettes à changement sans préavis.

