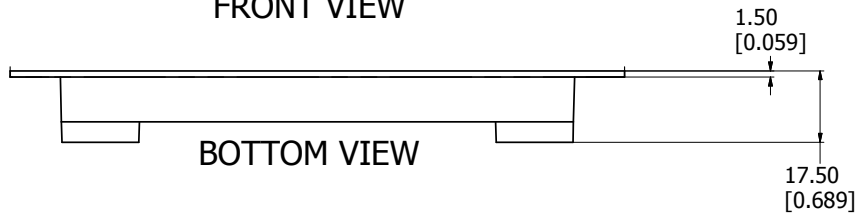
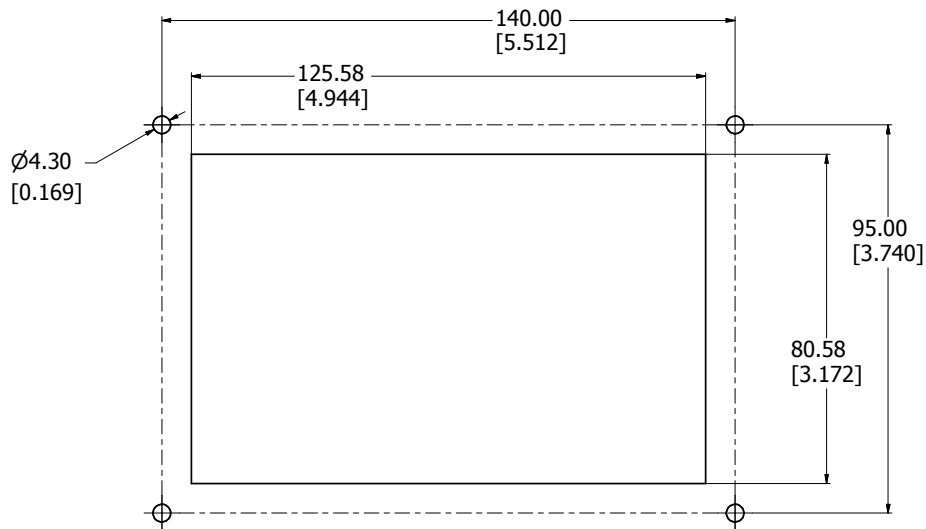


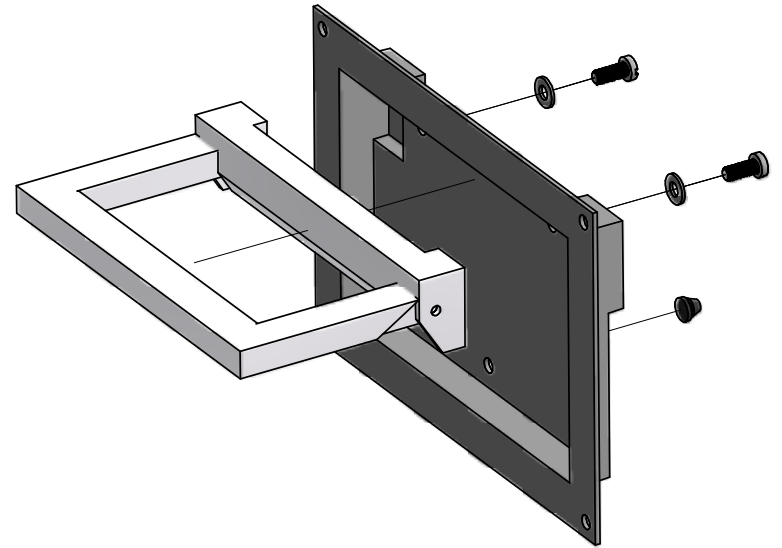
FRONT VIEW



BOTTOM VIEW



MOUNTING OPENING



ISO VIEW OF ASSEMBLY

M262-01
Handle Material - Aluminum and Steel
Finish - Tray - Zinc Plated Steel
Handle - Polished Aluminum
Hardware
4 Screws - Cheesehead M4 x 8
4 Washers
2 Rubber Stops
*Mounting hardware not included
**note handle sold in pairs



HAMMOND  
MANUFACTURING™

M262-01