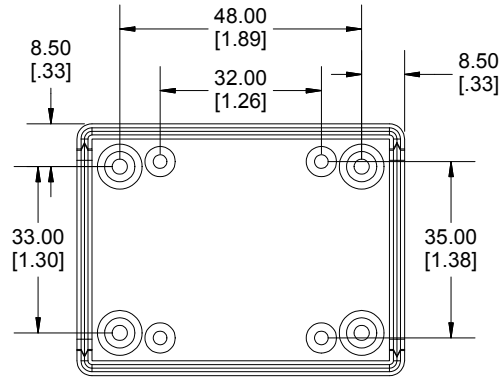


**LID**



**BOX**

Enclosures can be Factory Modified ( Milling, Drilling, Printing etc.)  
Contact Factory [mjm@hammondmfg.com](mailto:mjm@hammondmfg.com) for quotes  
Solid models of this enclosure available in STEP or IGES.

|   |
|---|
| <b>NOTE</b>   |
| Purchased assembly includes box, lid, 4 cover screws,<br>and 4 P.C. board screws. |
| <b>Recommended Cover Screw Torque -- 2.5 lbf-in (30 cN-m)</b>                     |

|                                    |          |
|------------------------------------|----------|
| <b>MB6550</b>                      |          |
| <b>MB6550 Regular Enclosure</b>    |          |
| Lid smooth light gray (RAL 7035)   | MB655045 |
| Bottom smooth dark gray (RAL 7012) |          |

**HAMMOND  
MANUFACTURING™**

**MB655045**

[www.hammondmfg.com](http://www.hammondmfg.com)

**Dimensions:**  
mm  
[inches]