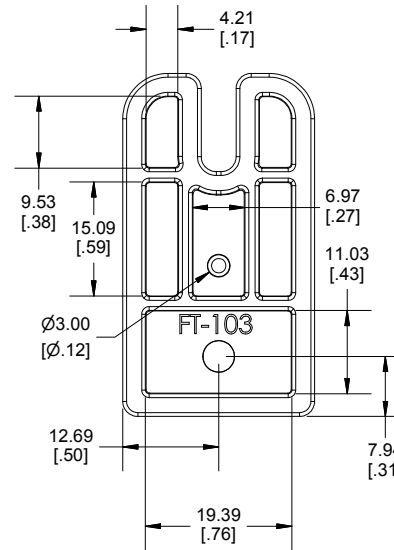


SECTION A-A



Enclosures can be Factory Modified (Milling, Drilling, Printing etc.)
 Contact Factory (modshop@hammondmg.com) for quotes
 Solid models of this enclosure available in STEP or PARA.
 (Part number and text placement/orientation on our products are subject to change,
 we do not recommend using them as a locating reference for modification purposes)



**HAMMOND
 MANUFACTURING**
MF0050
www.hammondmg.com

Dimensions:
 mm
 [inches]