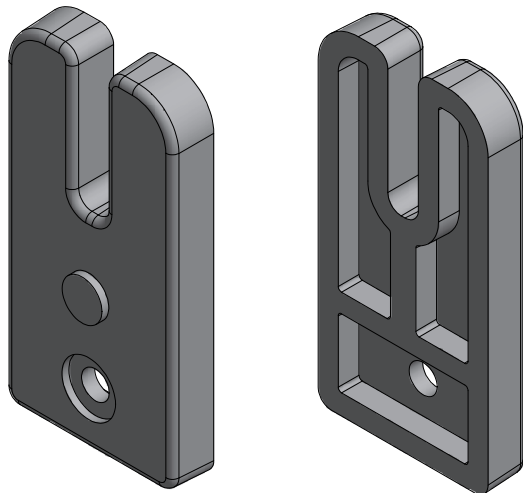
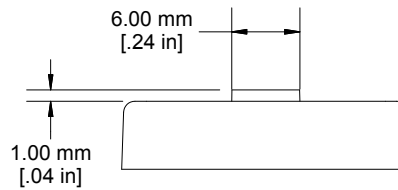


SECTION A-A



#	NOTE	
1	Molded from ABS	
2	Hardware included 4x M4 X 8mm self-tapping screw, 4x M4 X 25mm self-tapping wall screws, 4x wall anchors	
DWN	L. Walsh	 HAMMOND MANUFACTURING CO. LTD. 485 Conestogo Road Waterloo, Ontario, N2L 4C9, Canada
DATE	JAN, 2017	
CHK		
MAT'L		THIS DRAWING IS PROPRIETARY INFORMATION OF HAMMOND MFG. CO. LTD. NOT TO BE USED WITHOUT EXPRESSED WRITTEN PERMISSION OF HAMMOND MFG. CO. LTD.
SHEET		
 		MF0055