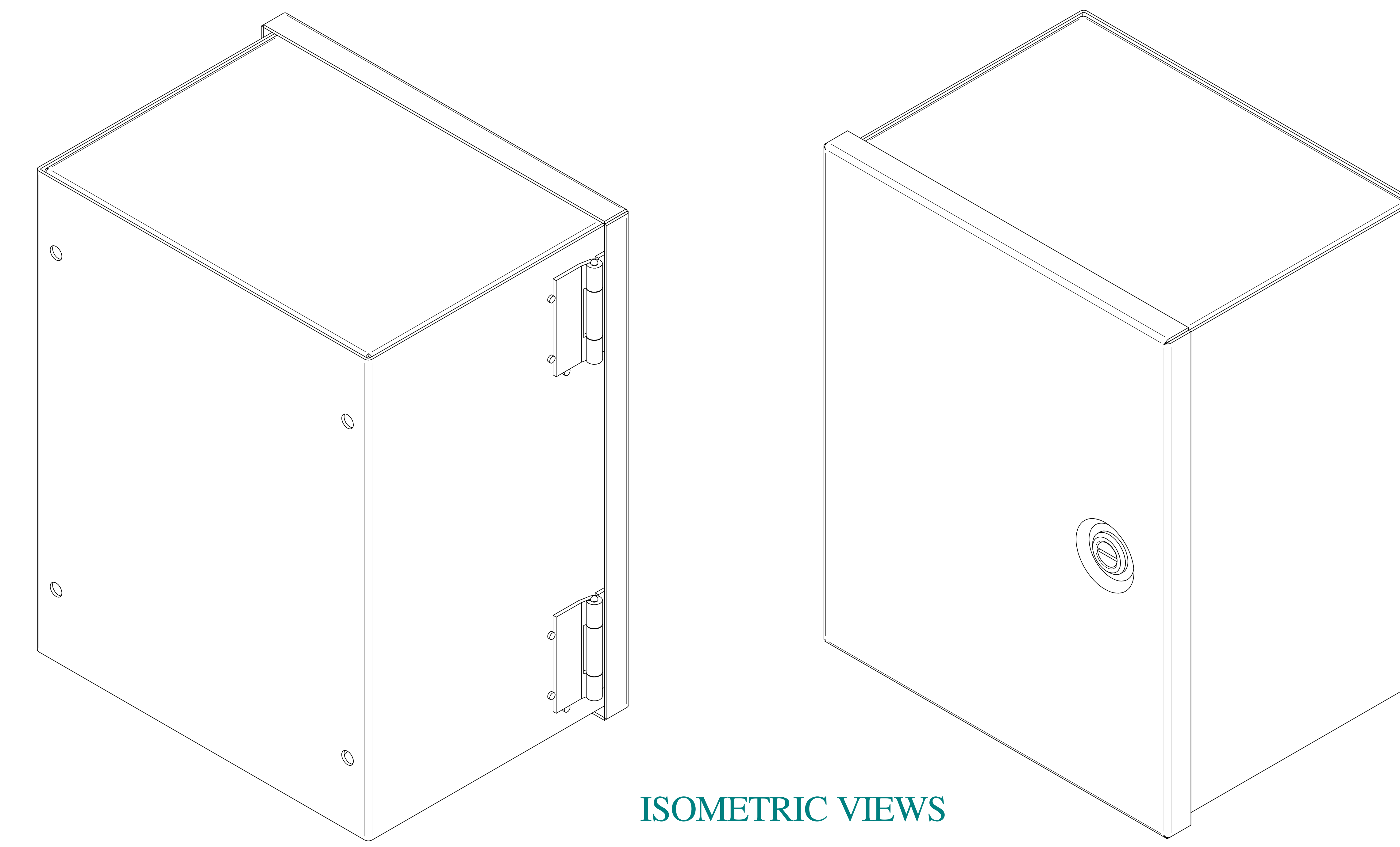
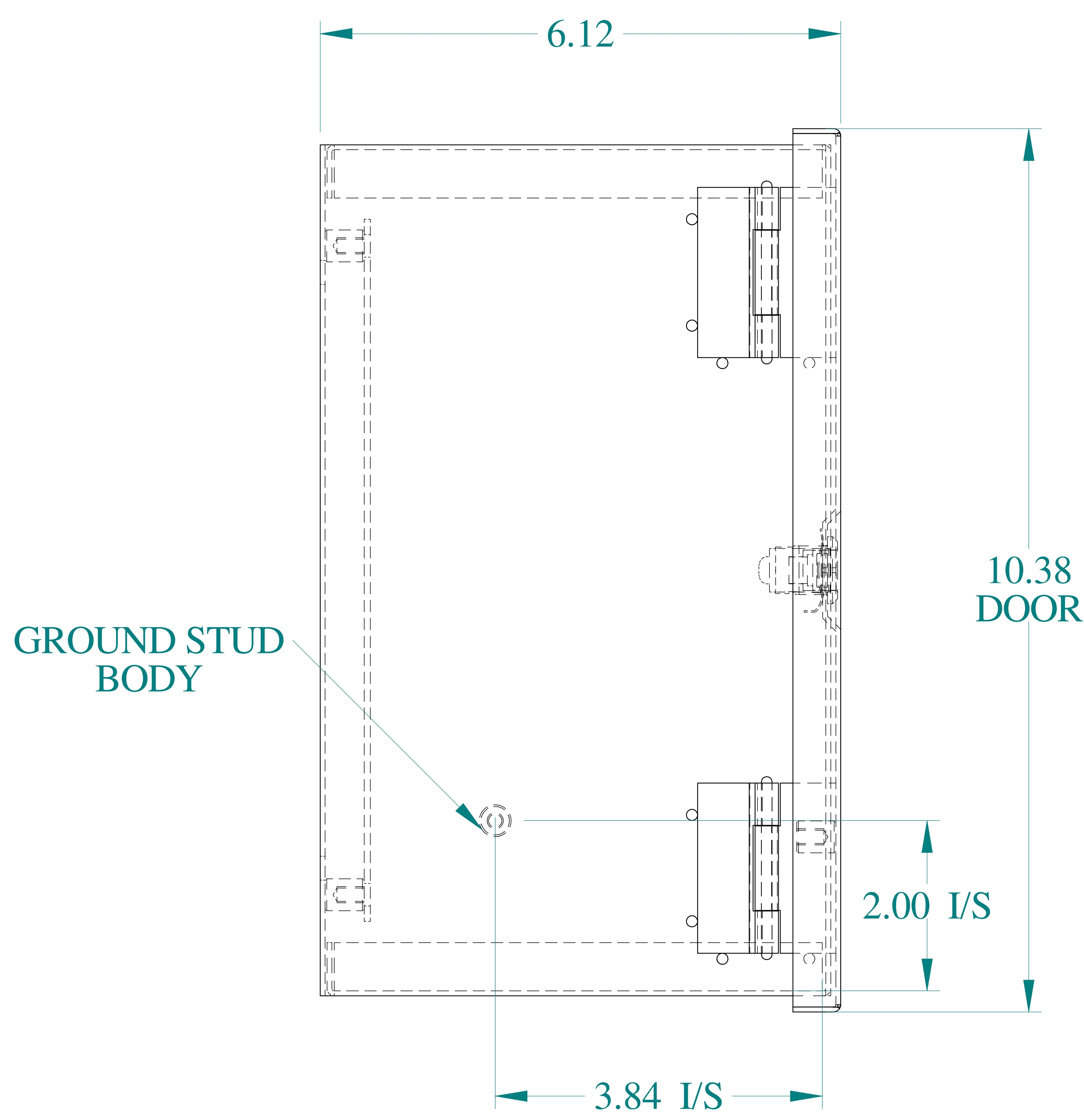


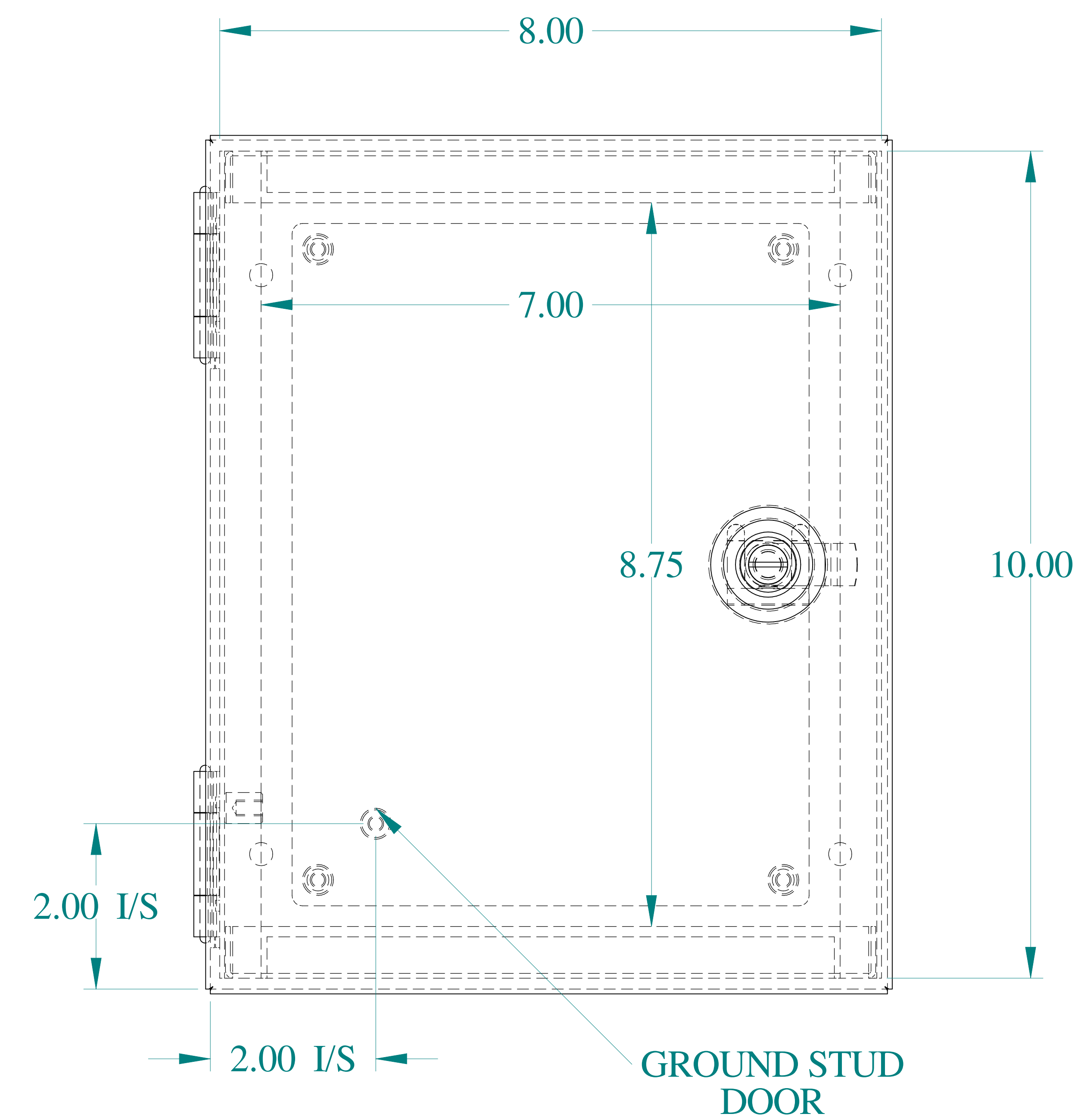
TOP VIEW



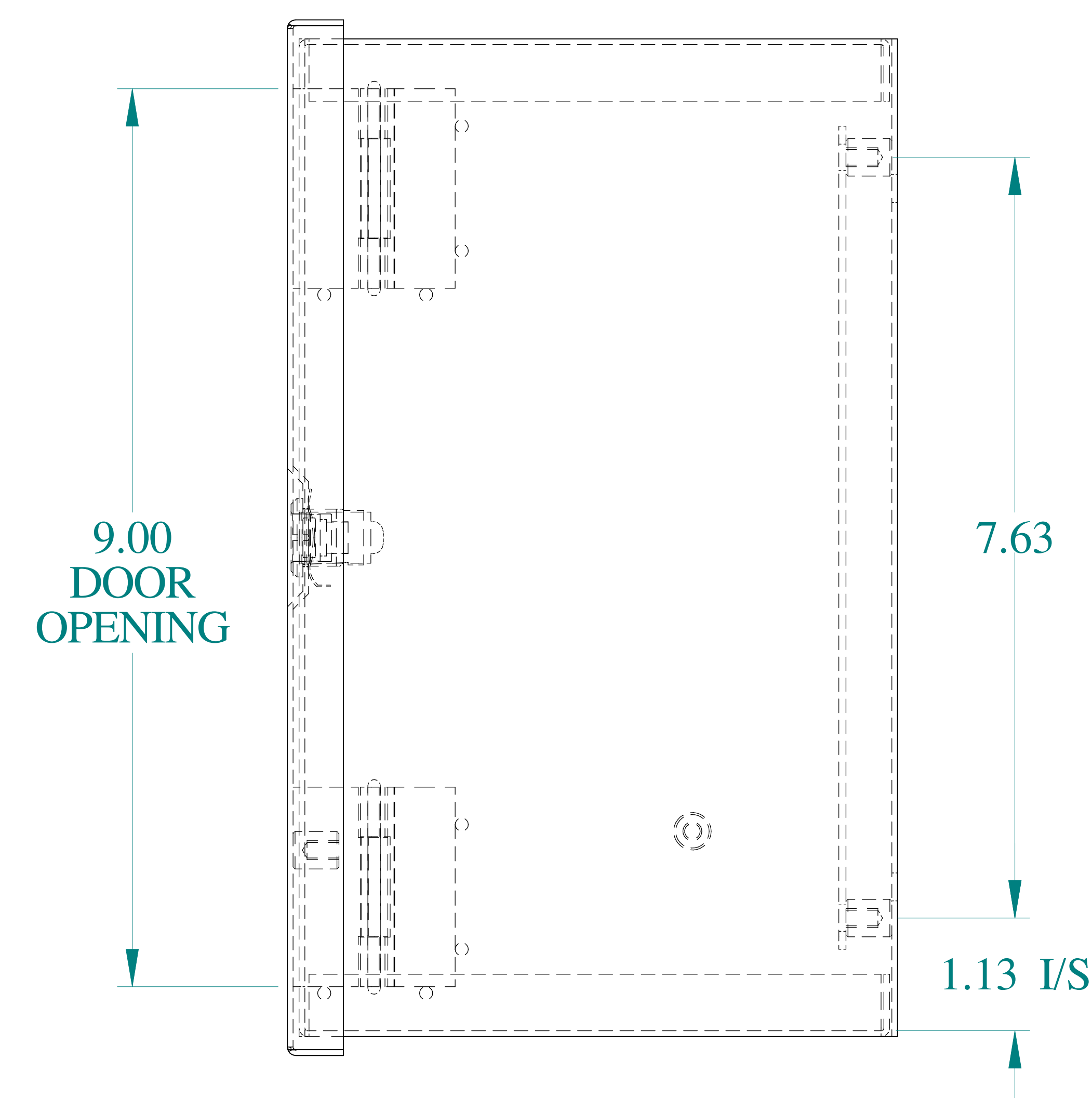
ISOMETRIC VIEWS



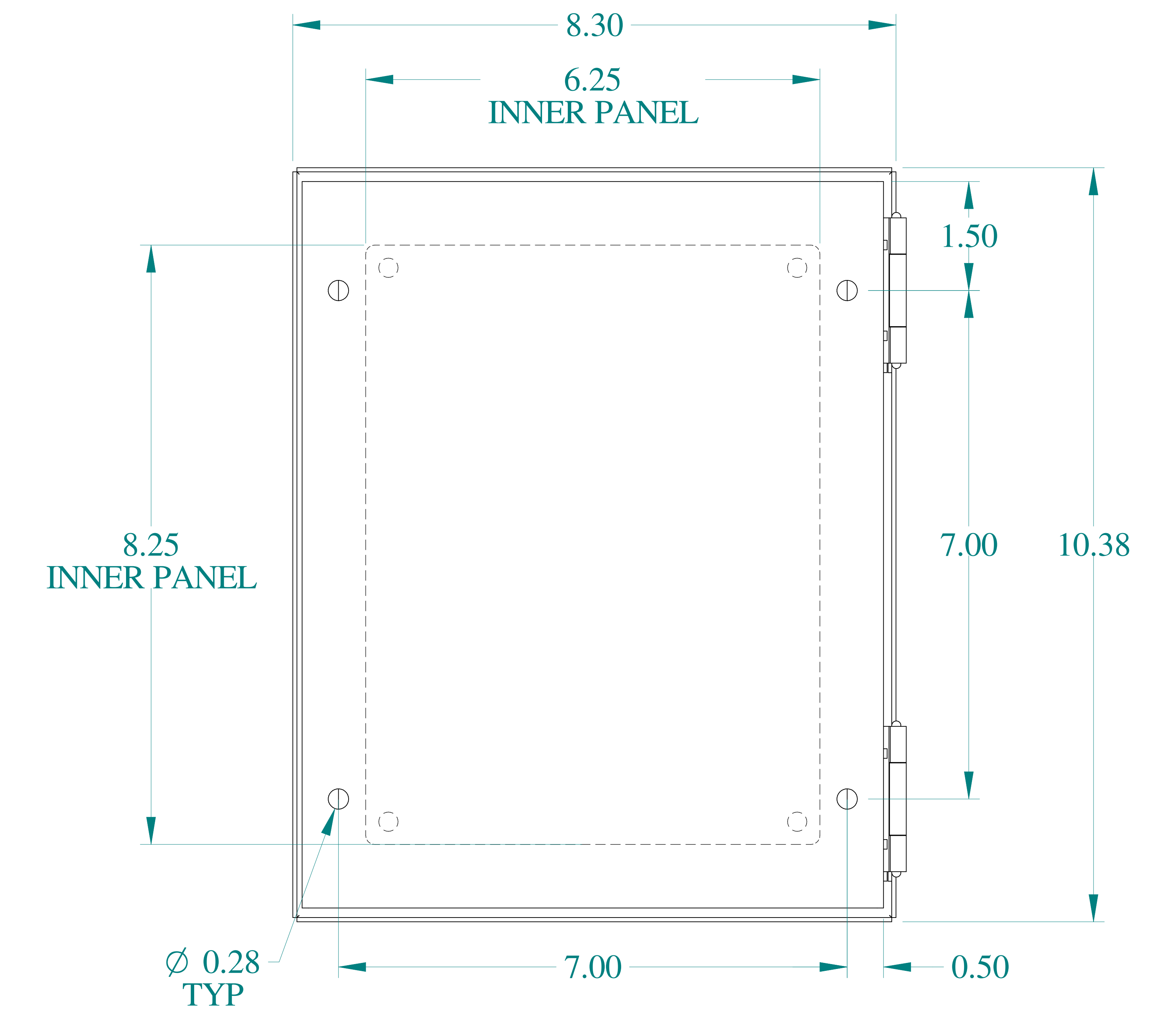
SIDE VIEW



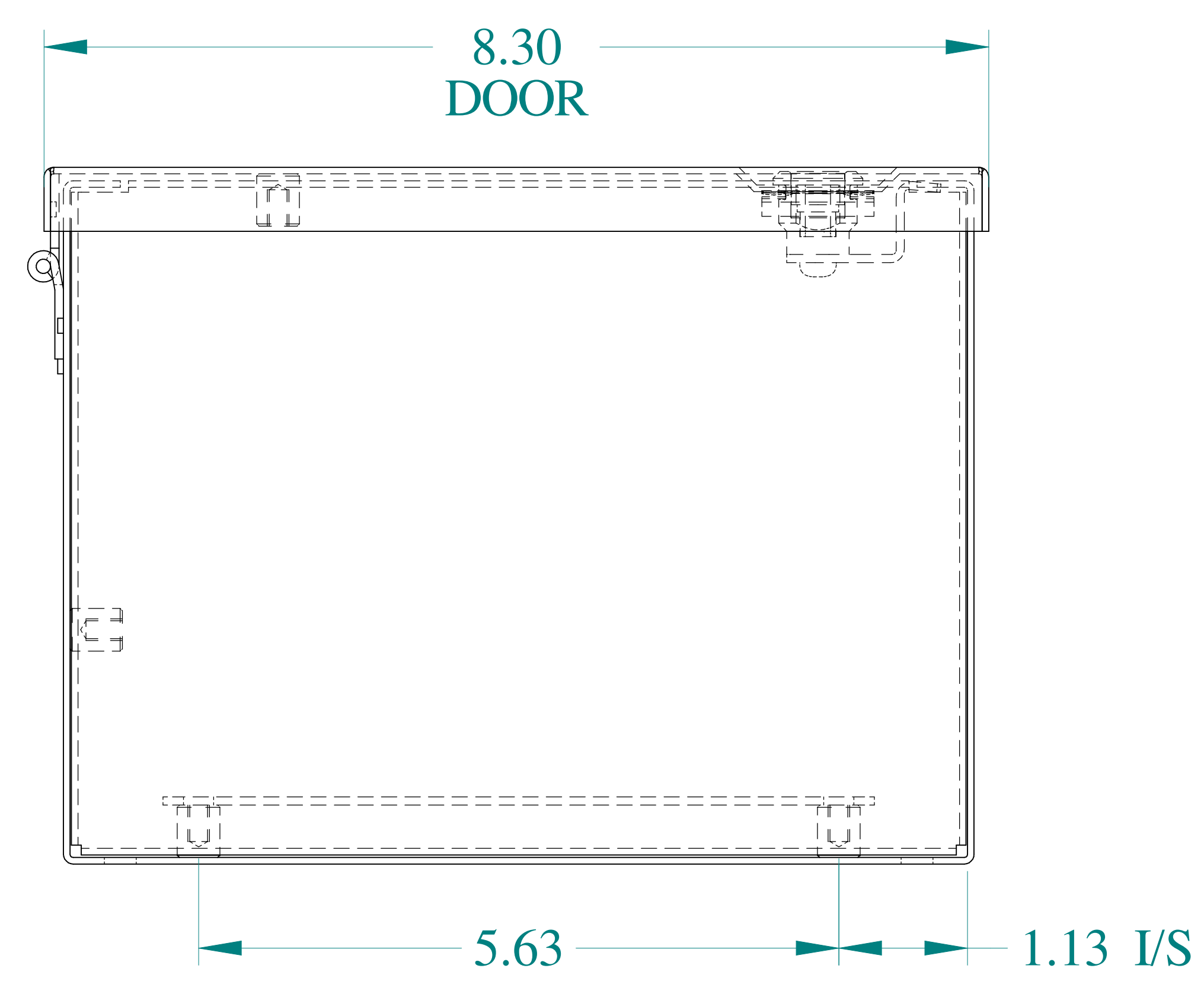
FRONT VIEW



SIDE VIEW



BACK VIEW



BOTTOM VIEW

**HAMMOND
MANUFACTURING®**

W www.hammondmfg.com

Data subject to change without notice.

Part #: N1J1086 Date: Mar. 24, 2019

Link: www.hammg.com/N1J1086