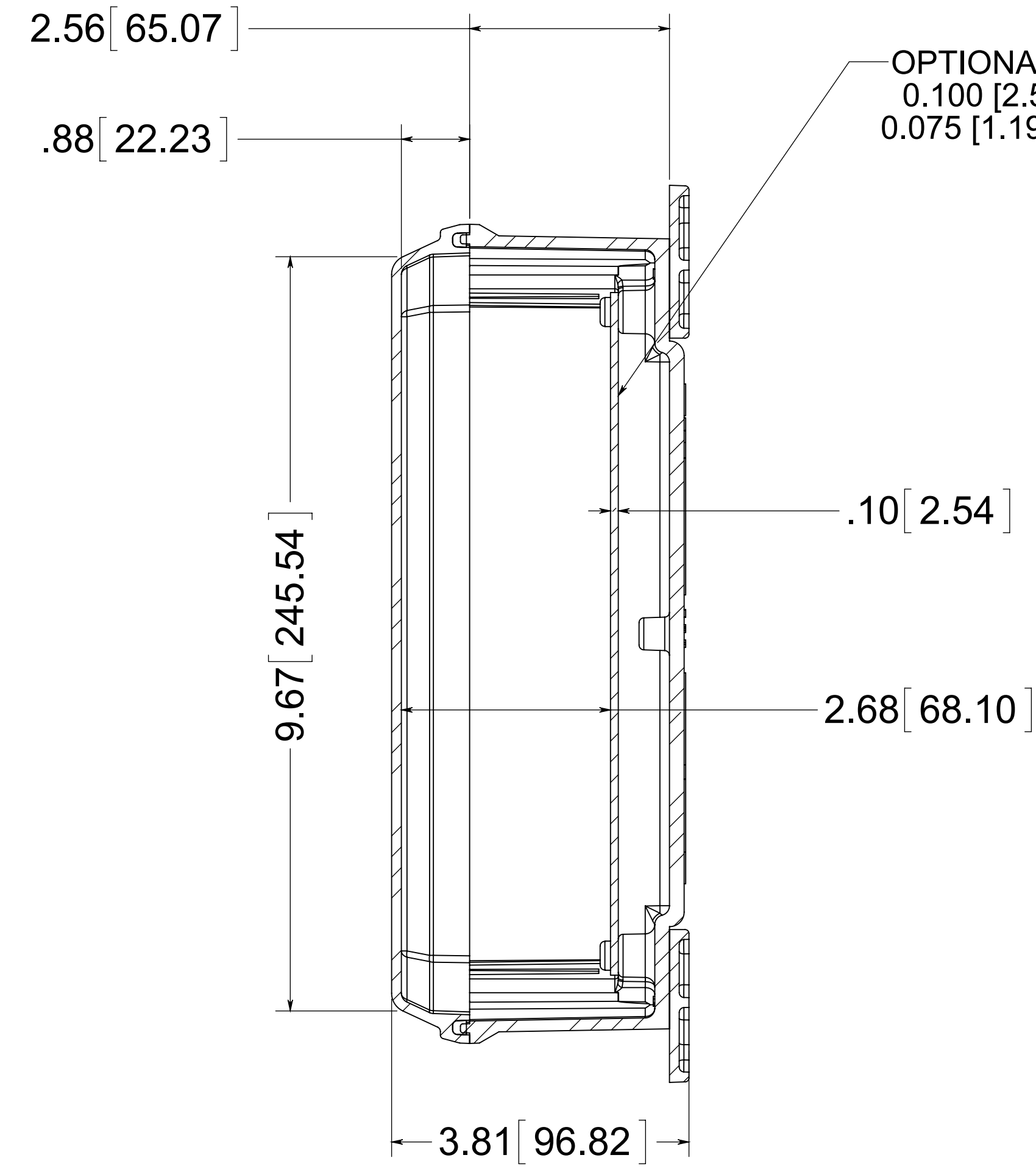


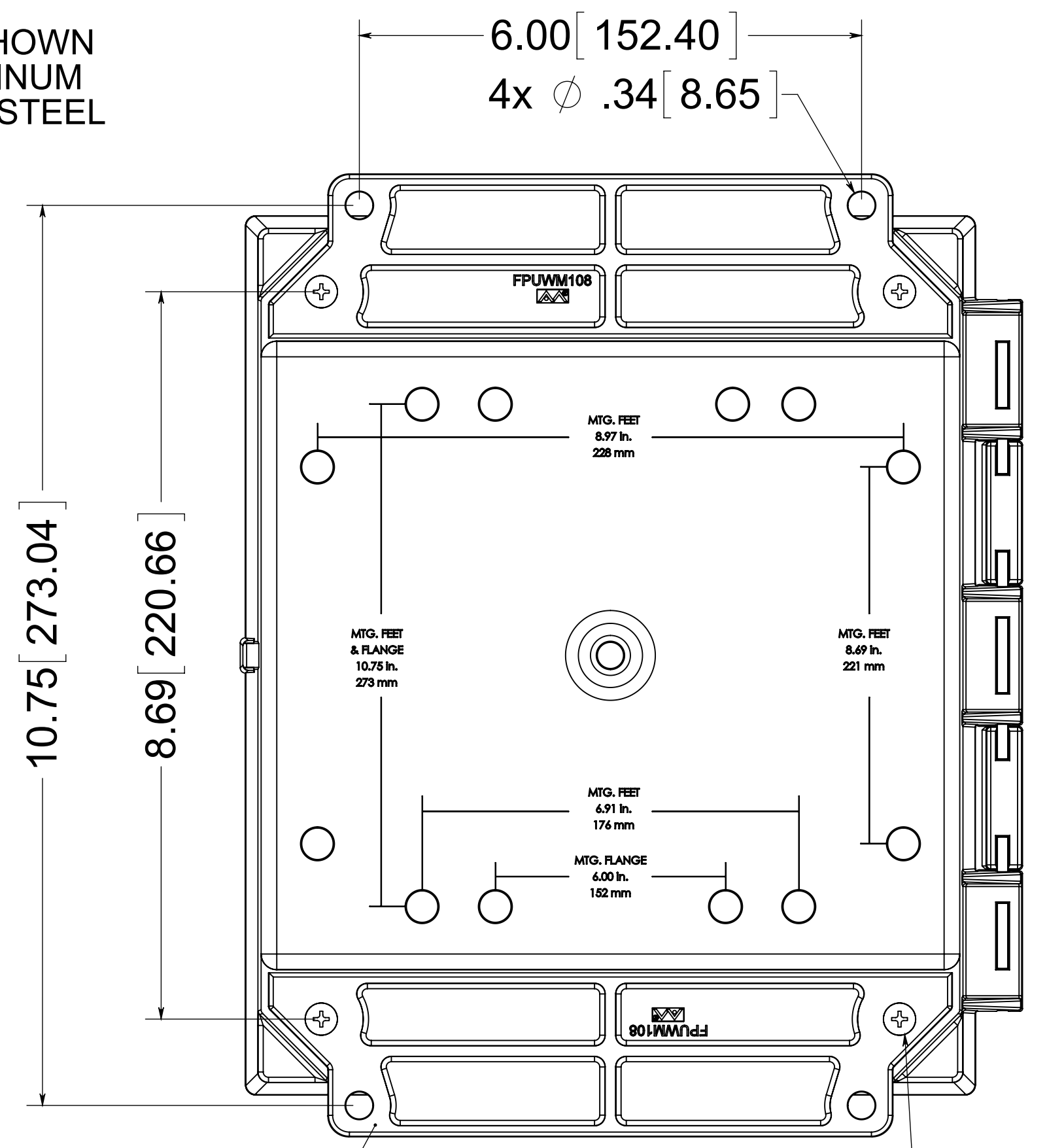
316 STAINLESS STEEL HINGE PIN

(2) EACH #10-32 BRASS INSERTS, AND 316 STAINLESS STEEL CAPTIVE COVER SCREWS WITH RETAINING O-RING

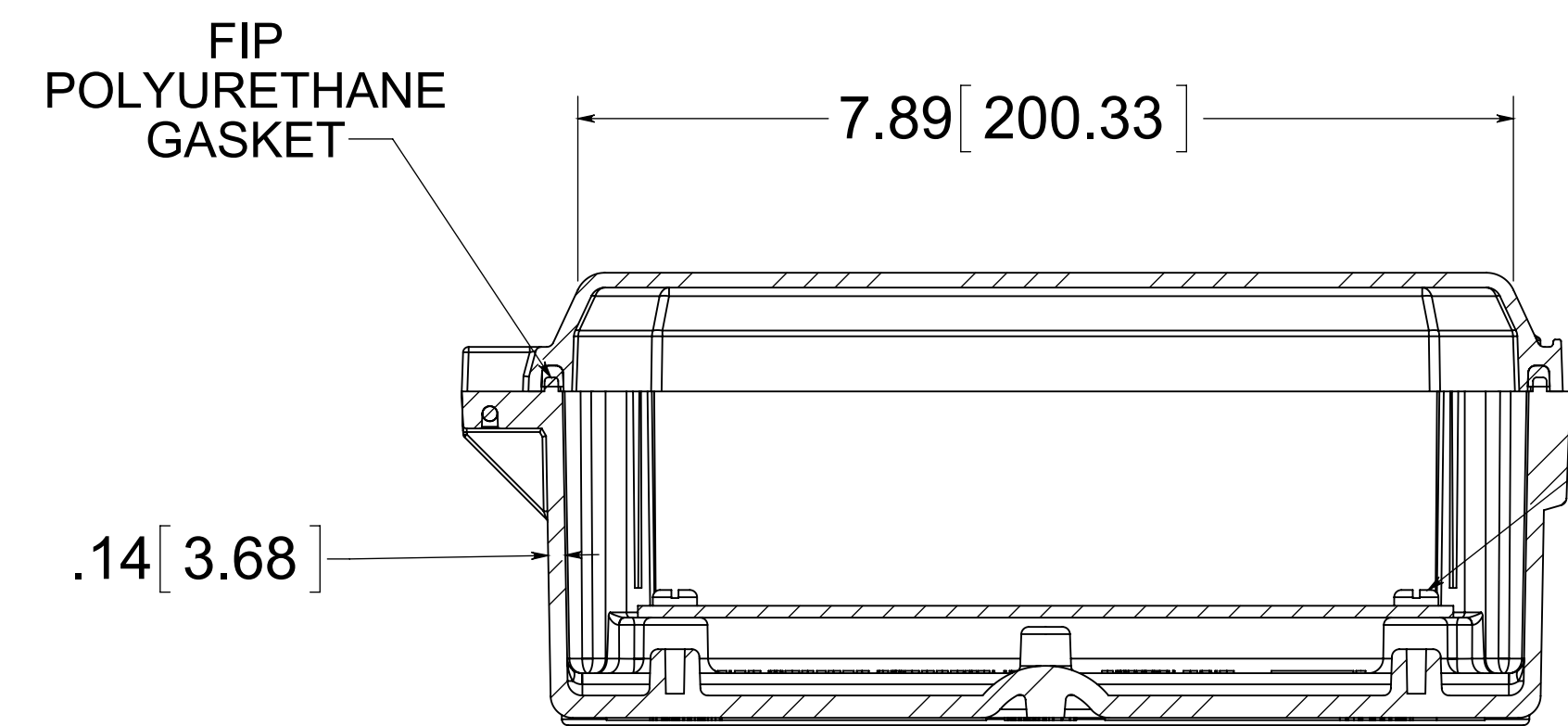


OPTIONAL BACK PANEL SHOWN  
0.100 [2.54mm] TH'K ALUMINUM  
0.075 [1.19mm] TH'K WHITE STEEL

(2) POLYCARBONATE FLANGES (GLUED)

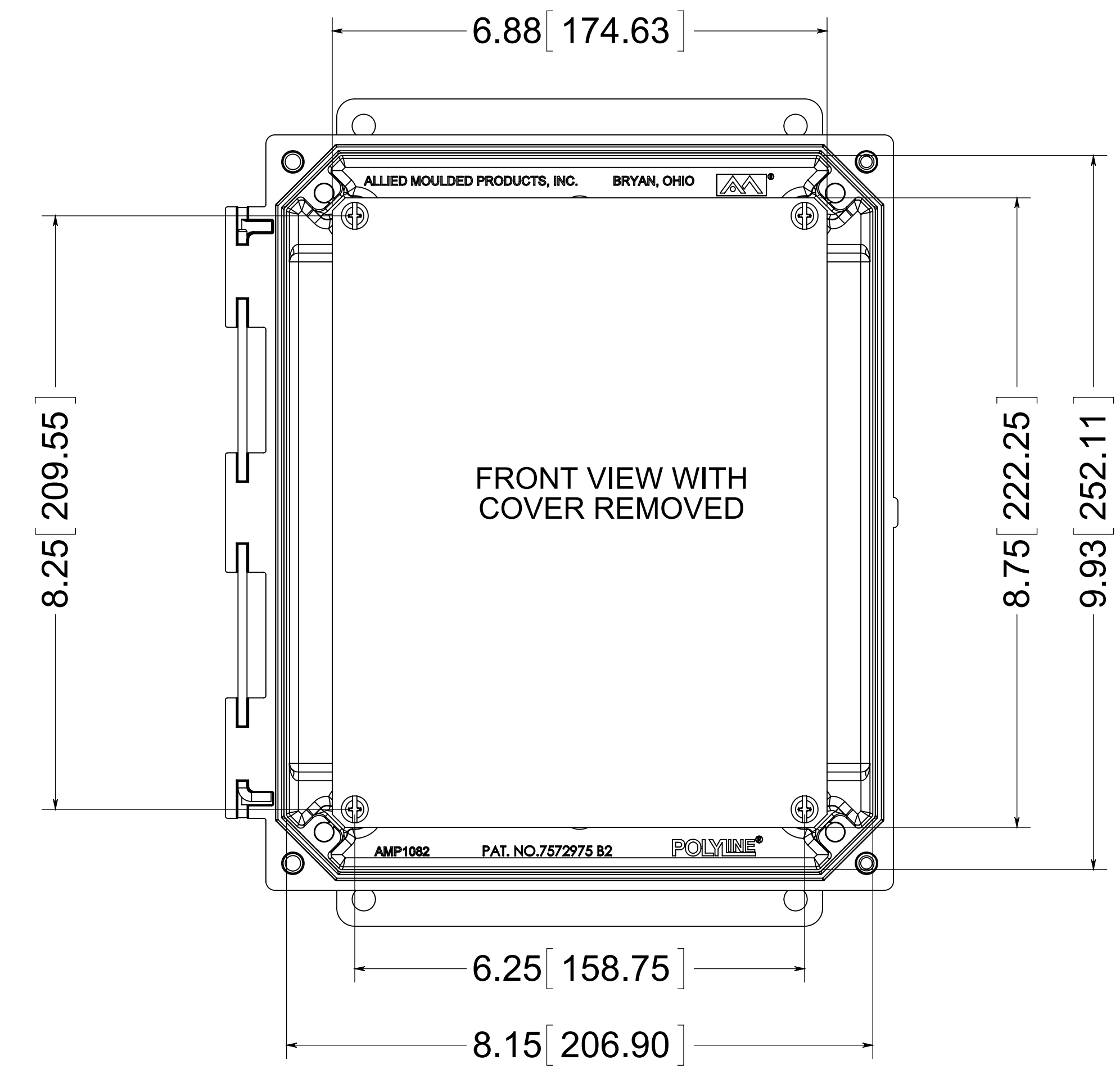


(4) EACH #10-32 BRASS INSERTS, AND 316 STAINLESS STEEL FLANGE AND FEET SCREWS



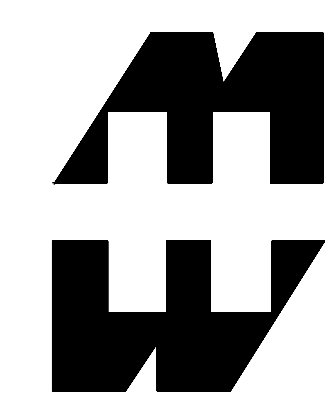
FIP POLYURETHANE GASKET

(4) EACH #10-32 BRASS INSERTS AND PLATED CARBON STEEL TRUSS SCREWS



FRONT VIEW WITH COVER REMOVED

MATERIAL:  
BOX - INJECTED POLYCARBONATE  
STANDARD COVER - INJECTED POLYCARBONATE  
CLEAR COVER - INJECTED POLYCARBONATE



PART No. PCJ1082HF

for more information visit [www.hammfg.com](http://www.hammfg.com)  
Data subject to change without notice  
Drawing Not to Scale