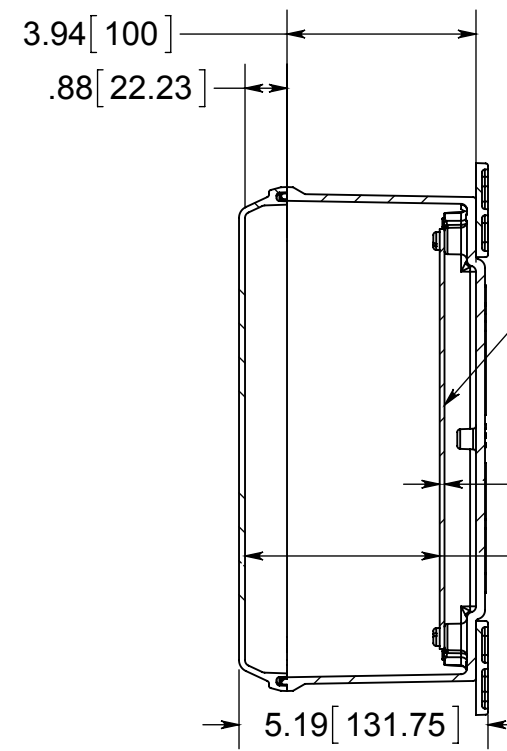
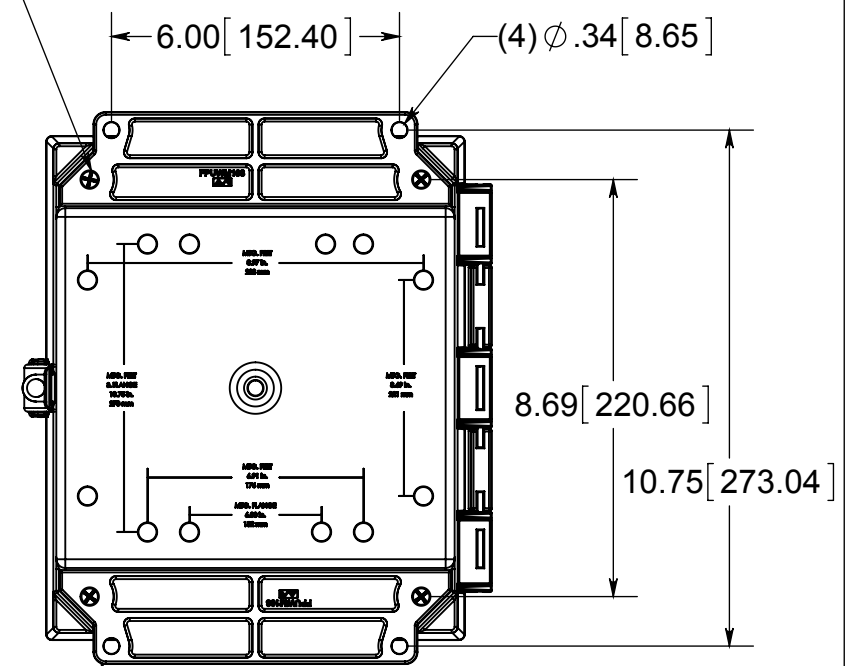


STAINLESS STEEL HINGE PIN



OPTIONAL BACK PANEL SHOWN
0.100 [2.54mm] TH'K- ALUMINUM
0.075 [1.91mm] TH'K- WHITE STEEL

(4) EACH #10-32 BRASS INSERTS, AND STAINLESS STEEL FLANGE AND FEET SCREWS

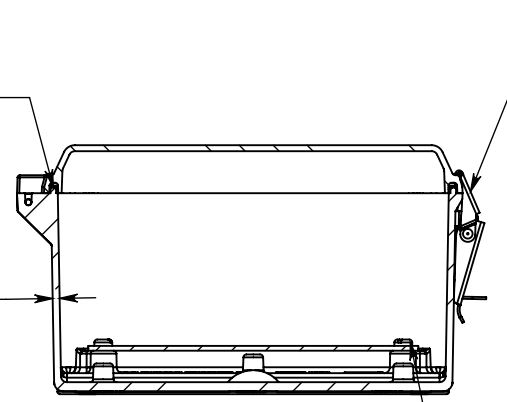


FRONT VIEW WITH COVER REMOVED AND BACK PANEL DISPLAYED

(4) POLYCARBONATE FLANGES (GLUED)

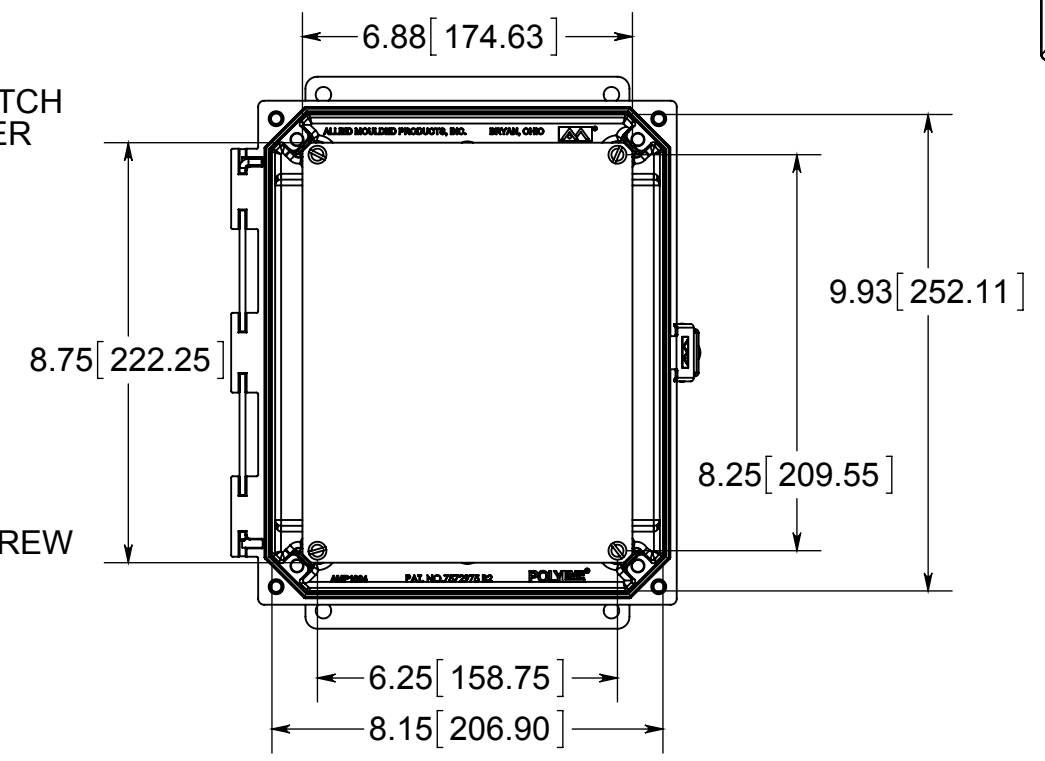
CLOSED CELL NEOPRENE GASKET

.14 [3.68]

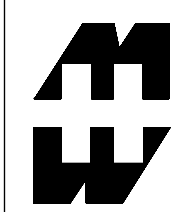


STAINLESS STEEL LOCKABLE SNAP LATCH LOCATED ON CENTER

(4) EACH #10-32 BRASS INSERTS AND PLATED CARBON STEEL TRUSS SCREW



MATERIAL:
BOX- INJECTED POLYCARBONATE
STANDARD COVER- INJECTED POLYCARBONATE
CLEAR COVER - INJECTED POLYCARBONATE



PART No. PCJ1084CCLF

for more information visit
www.hammfg.com
Data subject to change without notice
Drawing Not to Scale