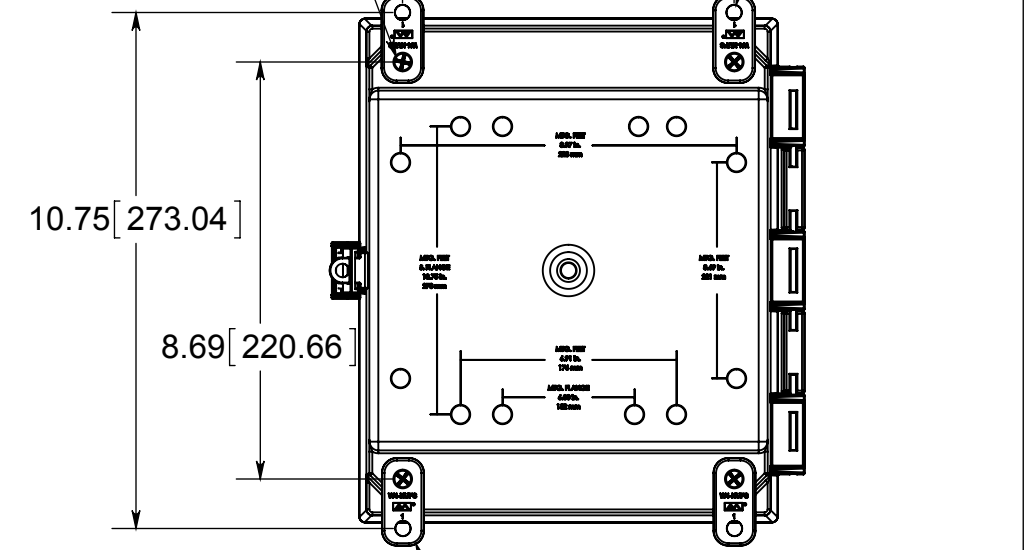


OPTIONAL BACK PANEL SHOWN
 0.100 [2.54mm] TH'K- ALUMINUM
 0.075 [1.91mm] TH'K- WHITE STEEL

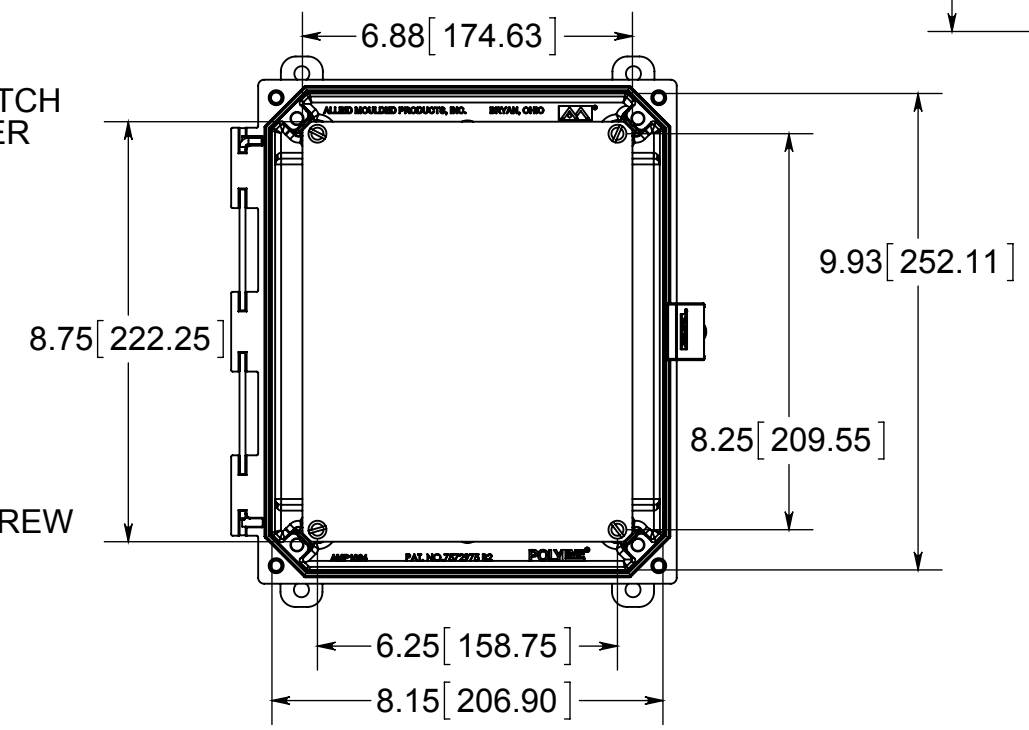
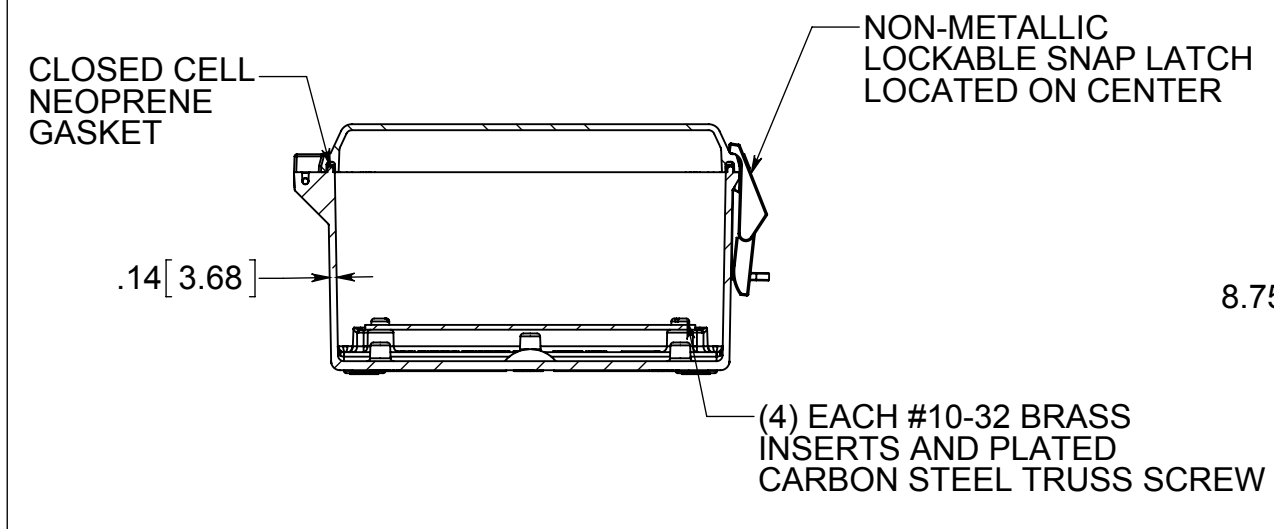
(4) EACH #10-32 BRASS INSERTS, AND STAINLESS STEEL FLANGE AND FEET SCREWS

6.91 [175.45]

(4) Ø .32 [8.17]

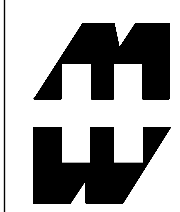


FRONT VIEW
 WITH COVER REMOVED
 AND BACK PANEL DISPLAYED



(4) POLYCARBONATE FEET

MATERIAL:
 BOX- INJECTED POLYCARBONATE
 STANDARD COVER- INJECTED POLYCARBONATE
 CLEAR COVER - INJECTED POLYCARBONATE



PART No. PCJ1084CCNL

for more information visit
www.hammfg.com
 Data subject to change without notice
 Drawing Not to Scale