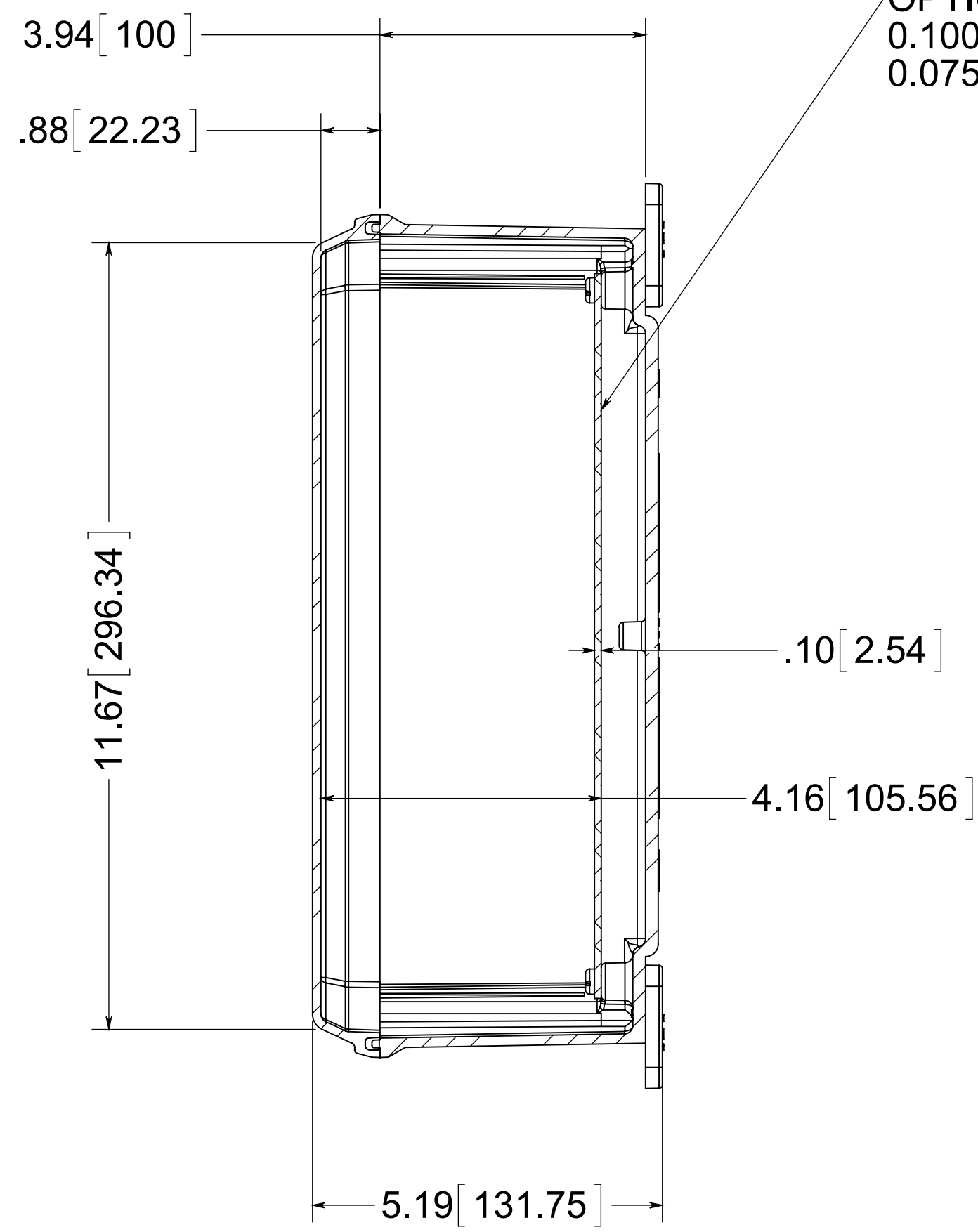
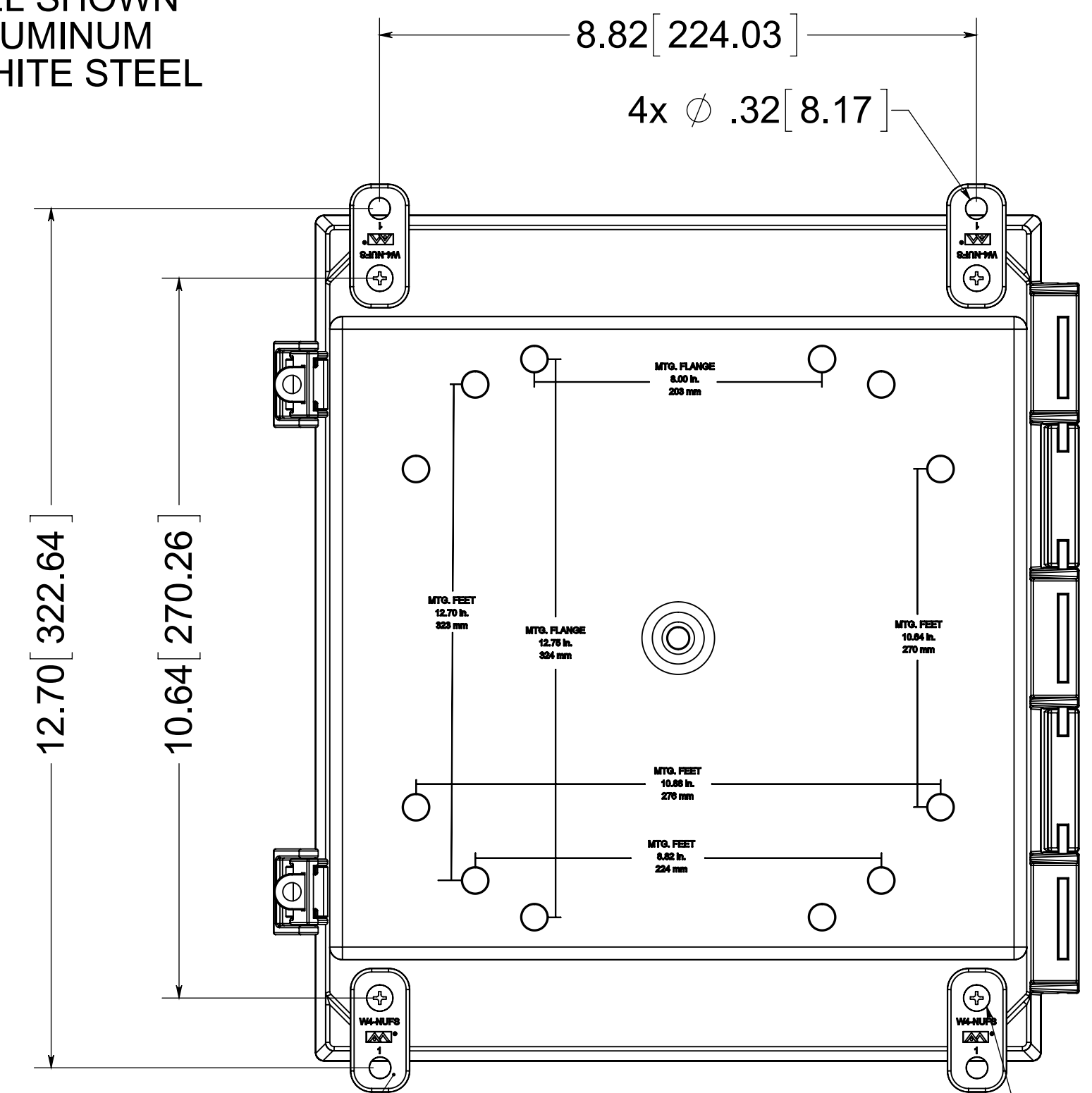


316 STAINLESS STEEL HINGE PIN



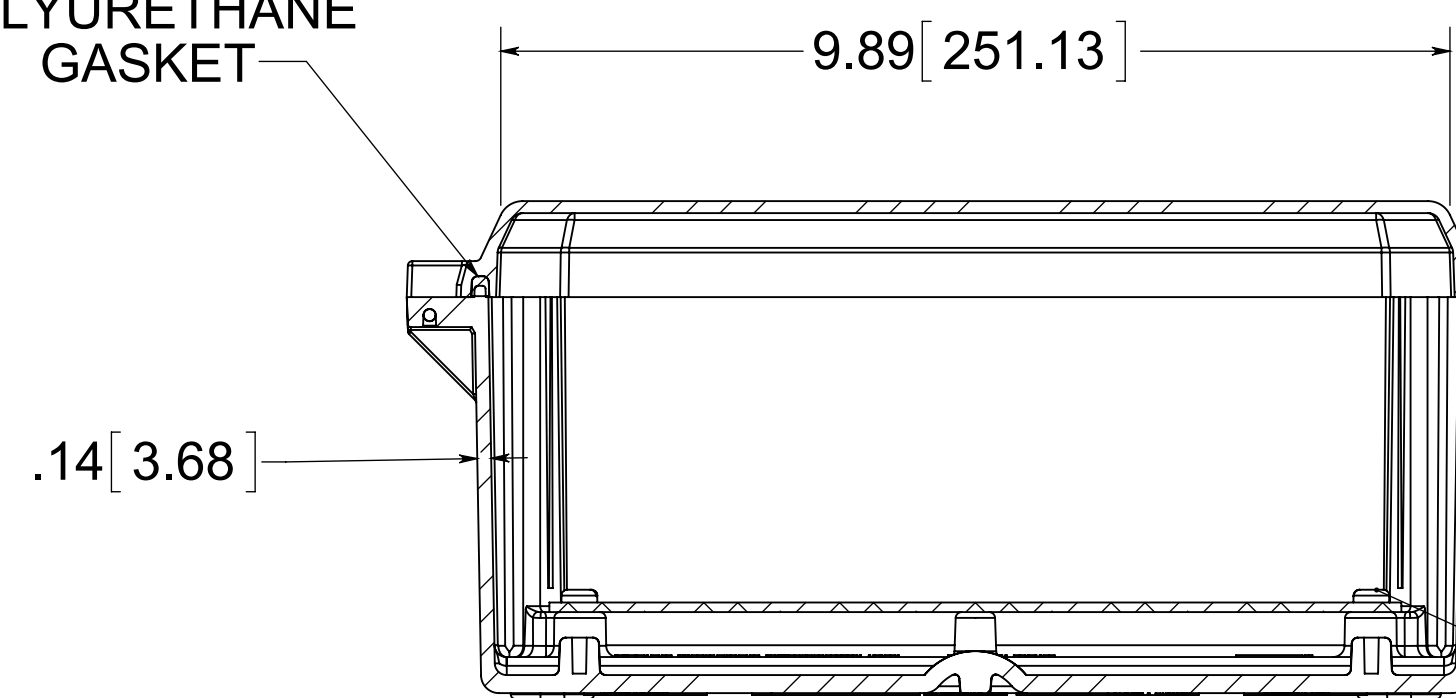
OPTIONAL BACK PANEL SHOWN
0.100 [2.54mm] TH'K ALUMINUM
0.075 [1.91mm] TH'K WHITE STEEL



(4) POLYCARBONATE FEET

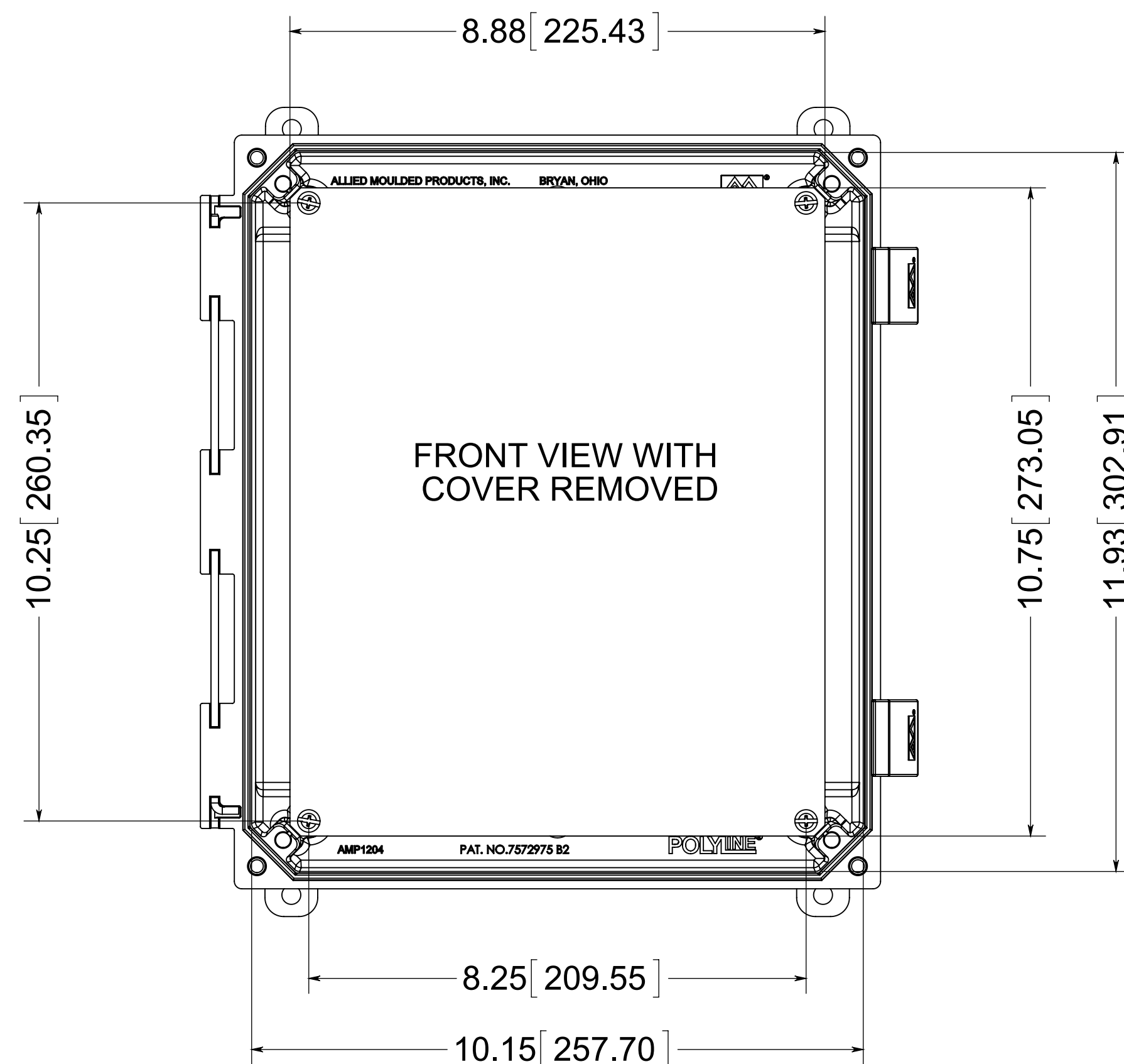
(4) EACH #10-32 BRASS INSERTS, AND 316 STAINLESS STEEL FLANGE AND FEET SCREWS

FIP POLYURETHANE GASKET



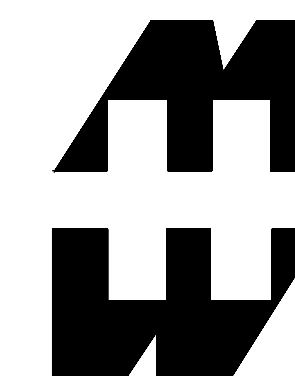
(2) NON-METALLIC LOCKABLE SNAP LATCHES

(4) EACH #10-32 BRASS INSERTS AND PLATED CARBON STEEL TRUSS SCREWS



FRONT VIEW WITH COVER REMOVED

MATERIAL:
BOX - INJECTED POLYCARBONATE
STANDARD COVER - INJECTED POLYCARBONATE
CLEAR COVER - INJECTED POLYCARBONATE



PART No. PCJ12104NL

for more information visit
www.hammfg.com
Data subject to change without notice
Drawing Not to Scale