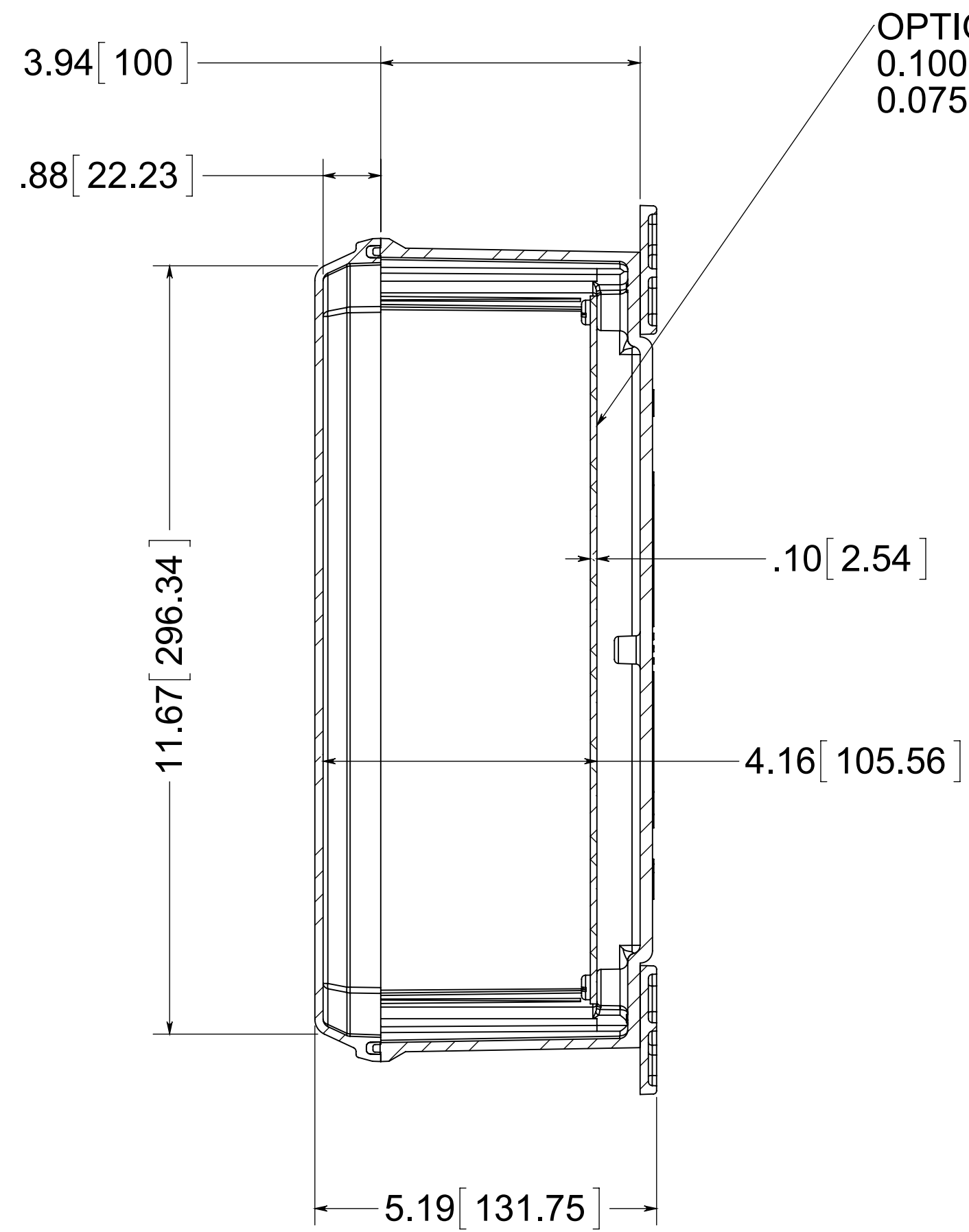
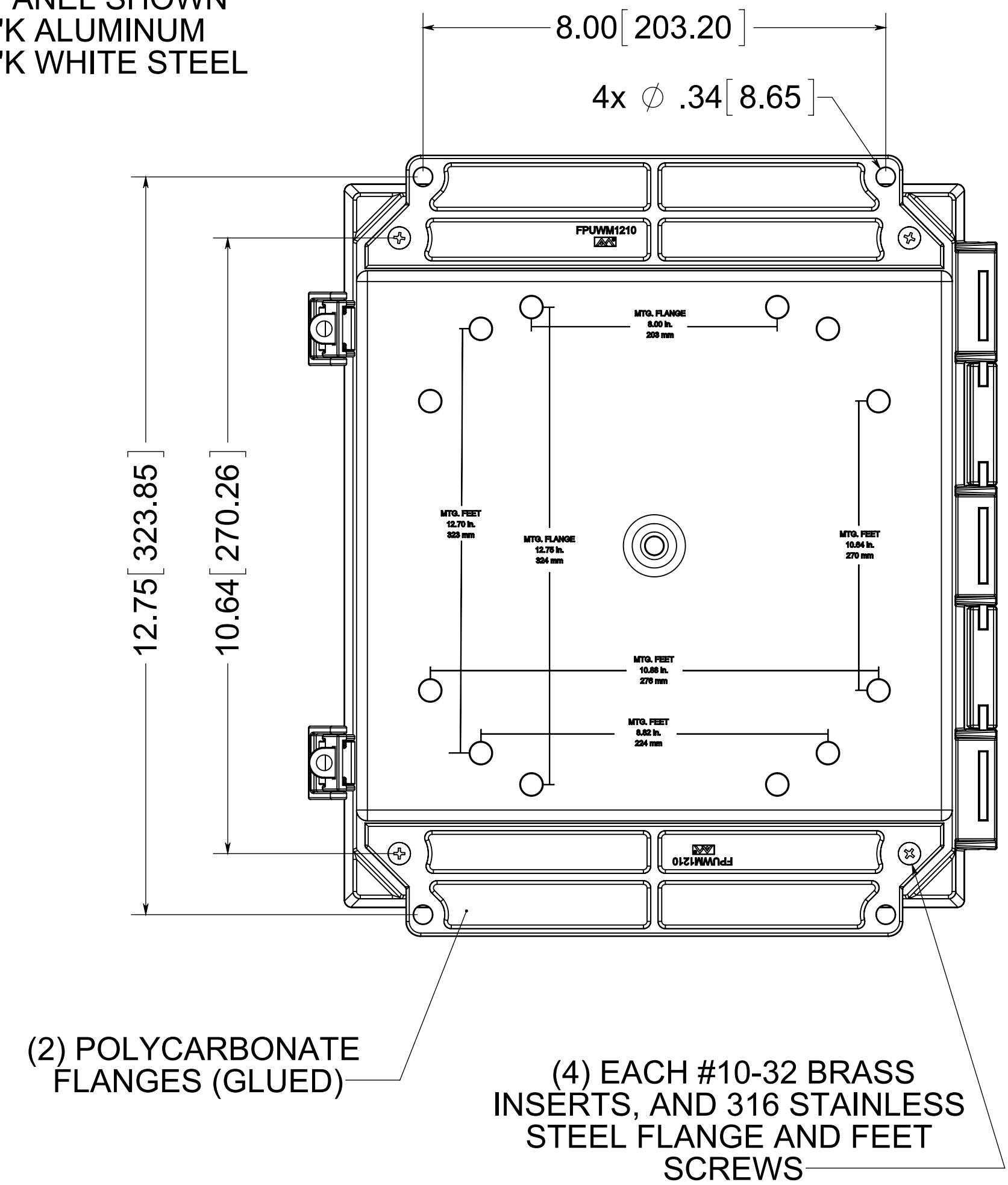


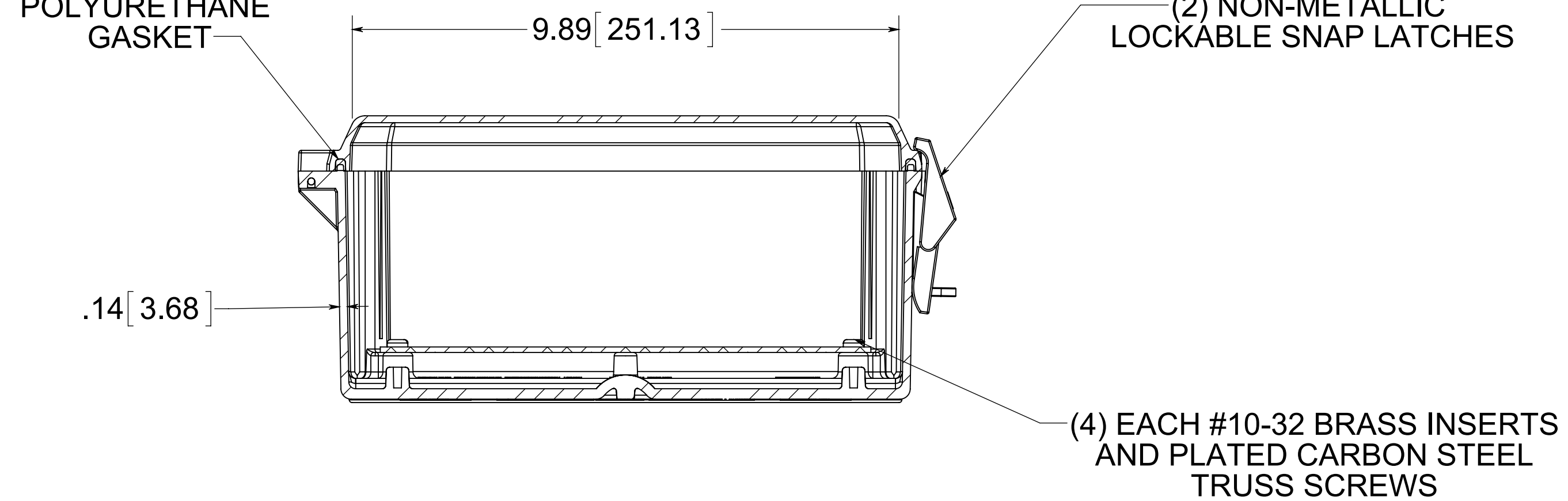
316 STAINLESS STEEL HINGE PIN



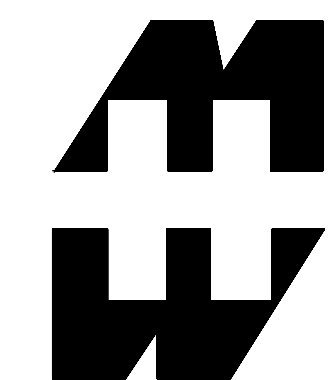
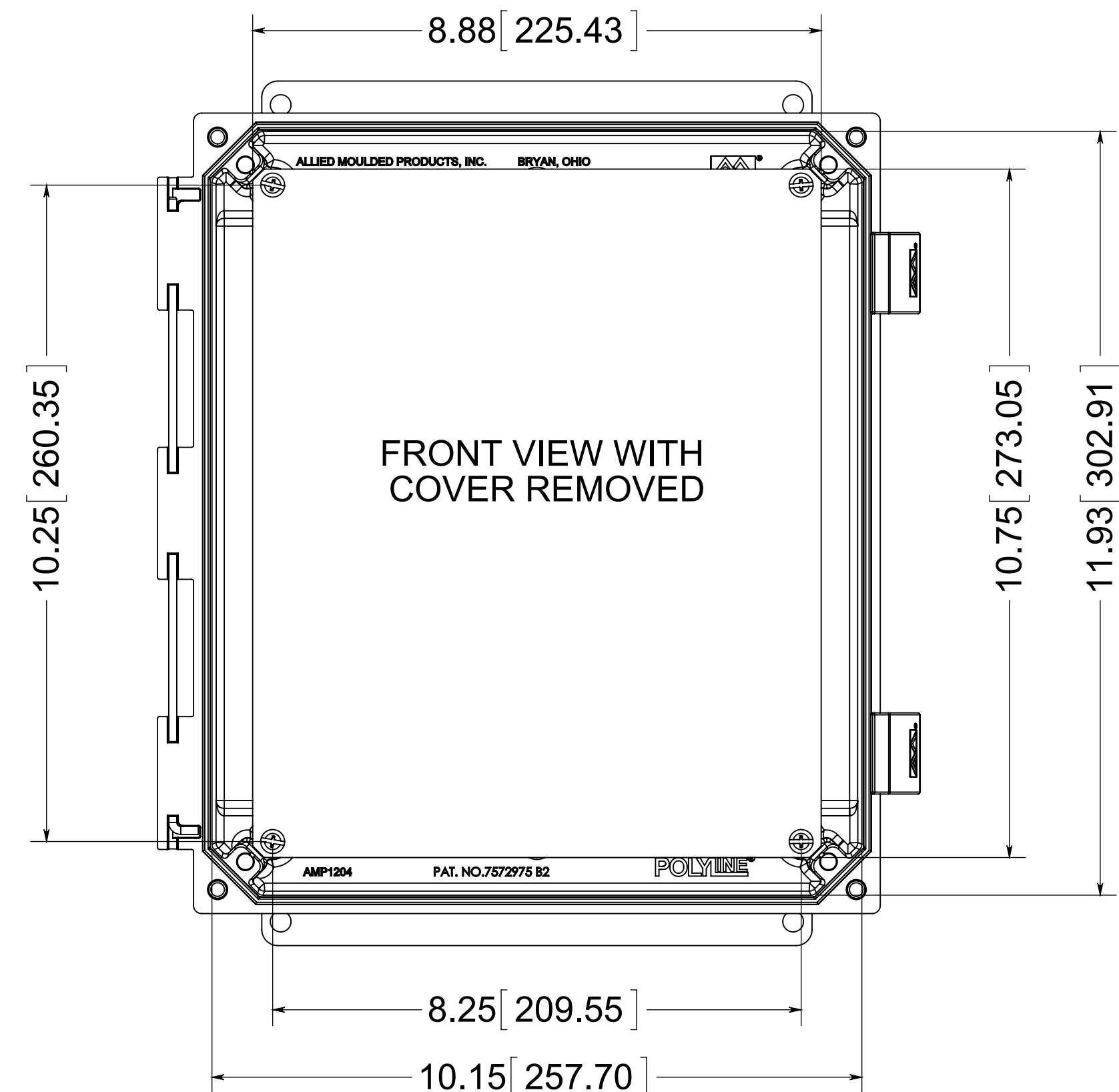
OPTIONAL BACK PANEL SHOWN  
0.100 [2.54mm] TH'K ALUMINUM  
0.075 [1.91mm] TH'K WHITE STEEL



FIP POLYURETHANE GASKET



MATERIAL:  
BOX - INJECTED POLYCARBONATE  
STANDARD COVER - INJECTED POLYCARBONATE  
CLEAR COVER - INJECTED POLYCARBONATE



PART No. PCJ12104NLF

for more information visit  
[www.hammfg.com](http://www.hammfg.com)  
Data subject to change without notice

Drawing Not to Scale