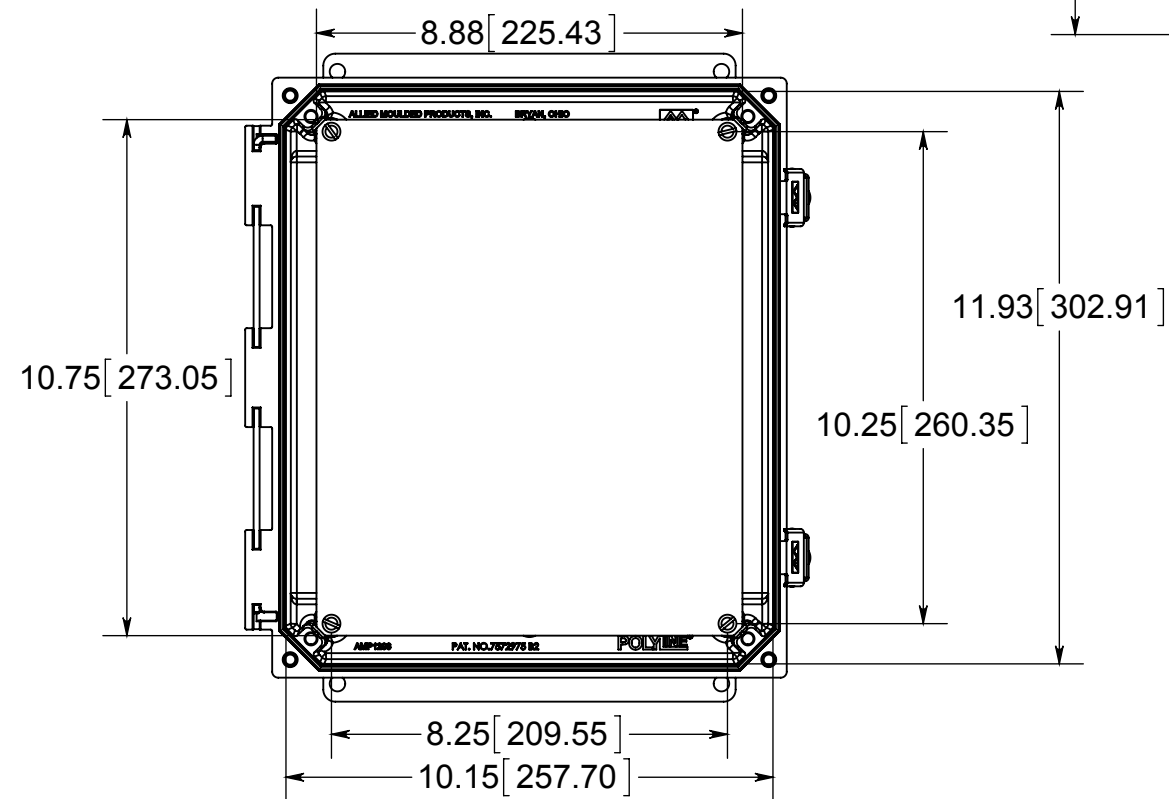


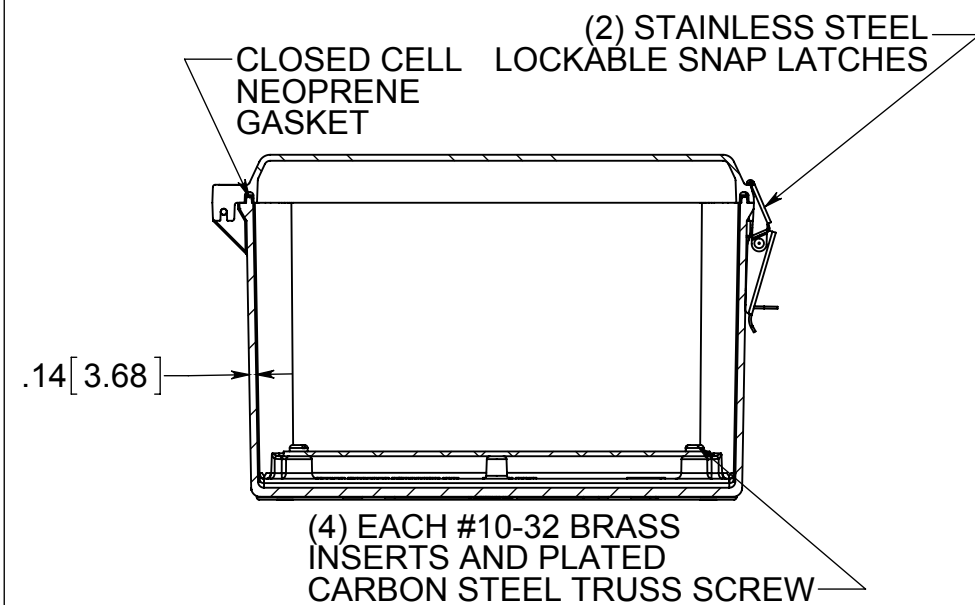
STAINLESS STEEL HINGE PIN

FRONT VIEW WITH COVER REMOVED AND BACK PANEL DISPLAYED

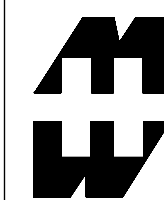


(4) POLYCARBONATE FLANGES (GLUED)

(4) EACH #10-32 BRASS INSERTS, AND STAINLESS STEEL FLANGE AND FEET SCREWS



MATERIAL:
 BOX- INJECTED POLYCARBONATE
 STANDARD COVER- INJECTED POLYCARBONATE
 CLEAR COVER - INJECTED POLYCARBONATE



PART No. PCJ12106LF

for more information visit www.hammfg.com
 Data subject to change without notice
 Drawing Not to Scale