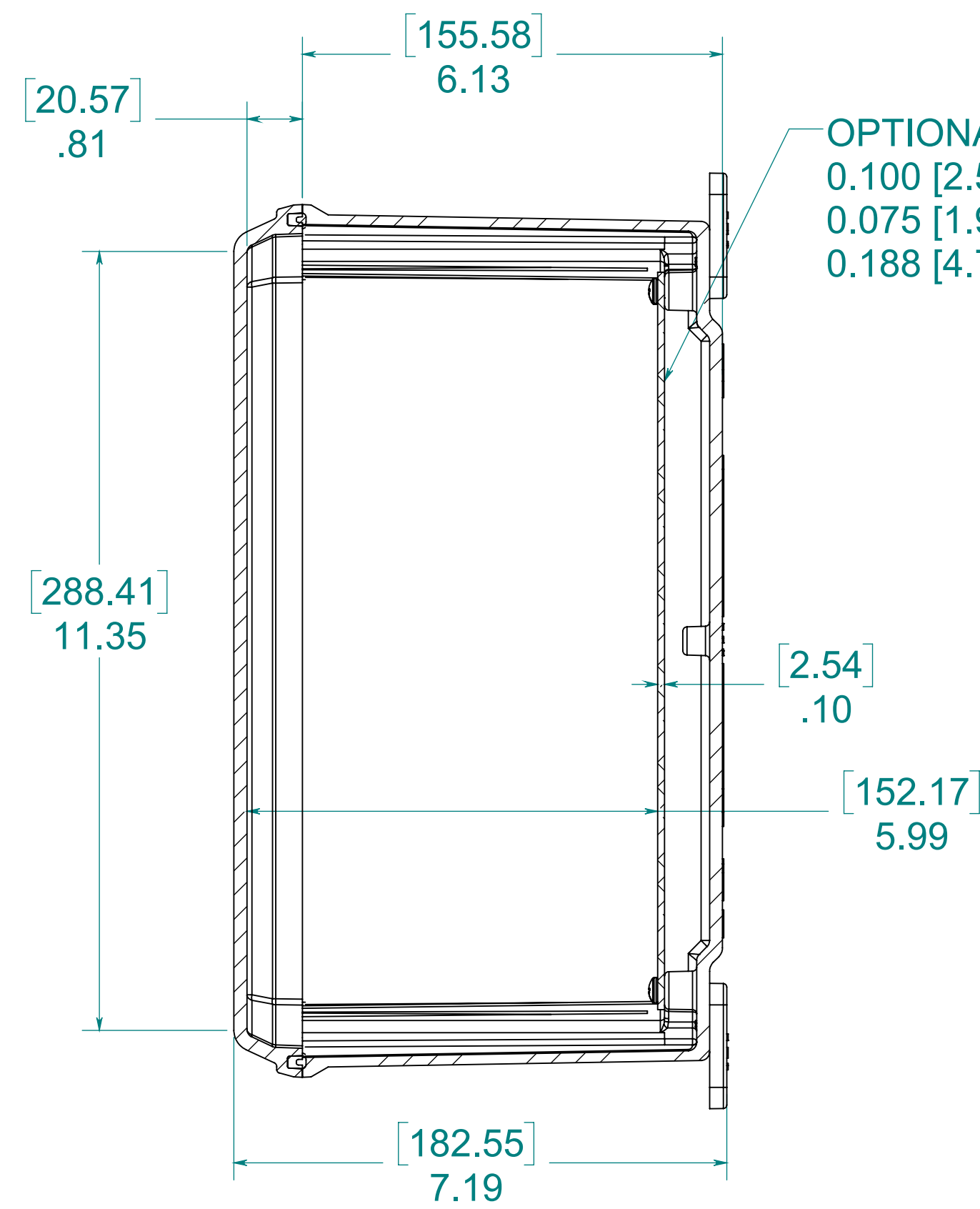
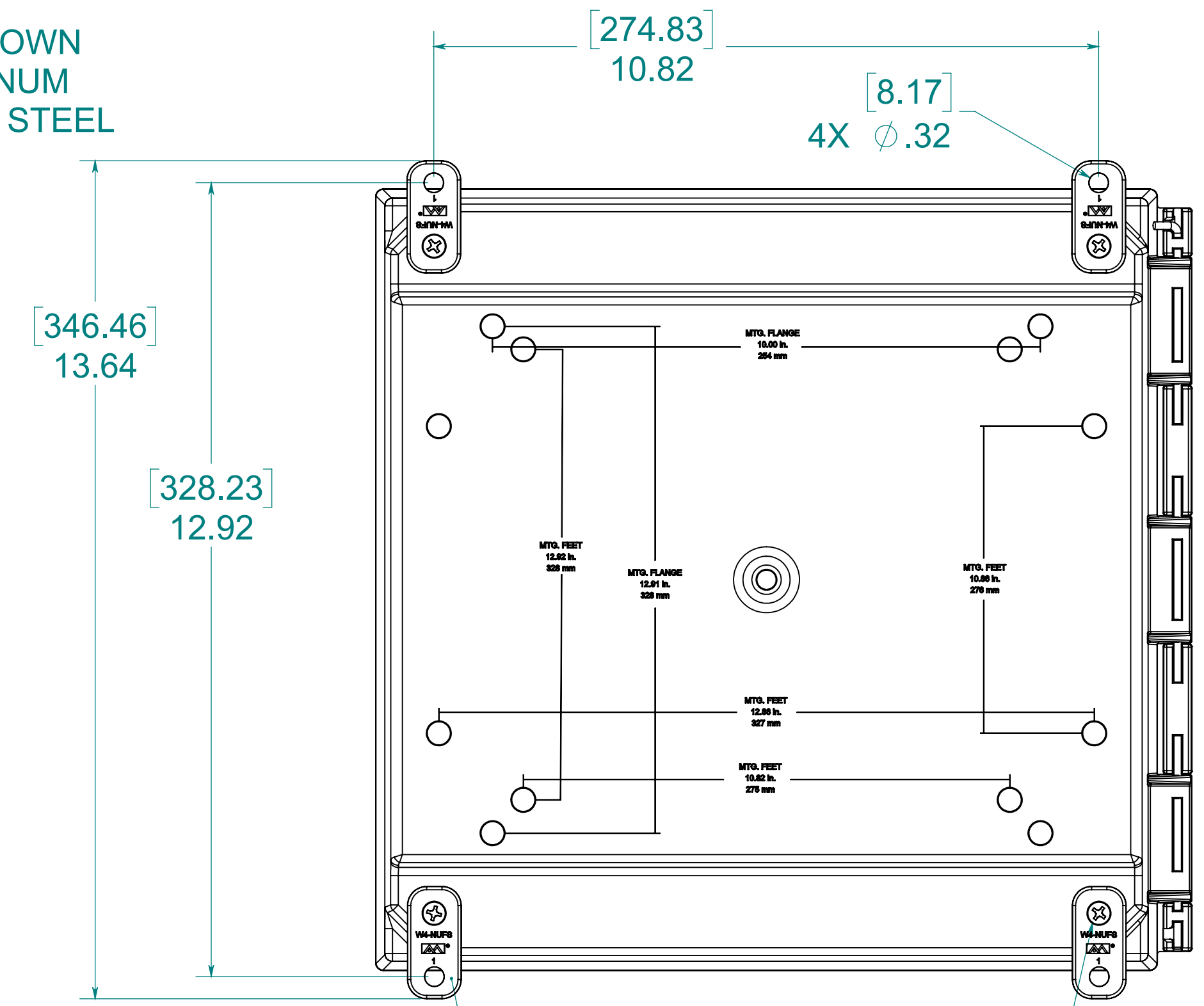


(2X) EACH #10-32 BRASS INSERTS AND 316 STAINLESS STEEL CAPTIVE COVER SCREWS

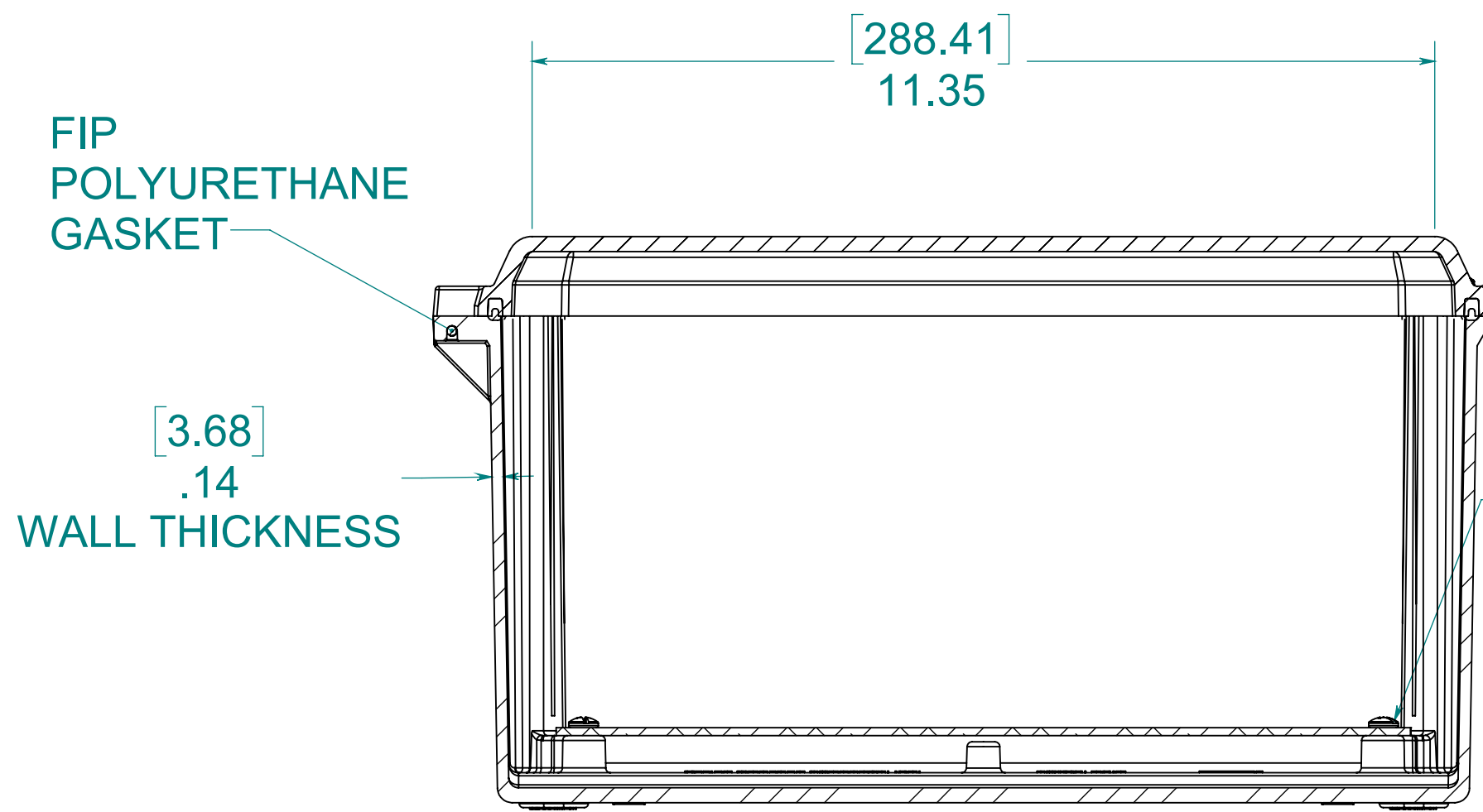


SECTION A-A

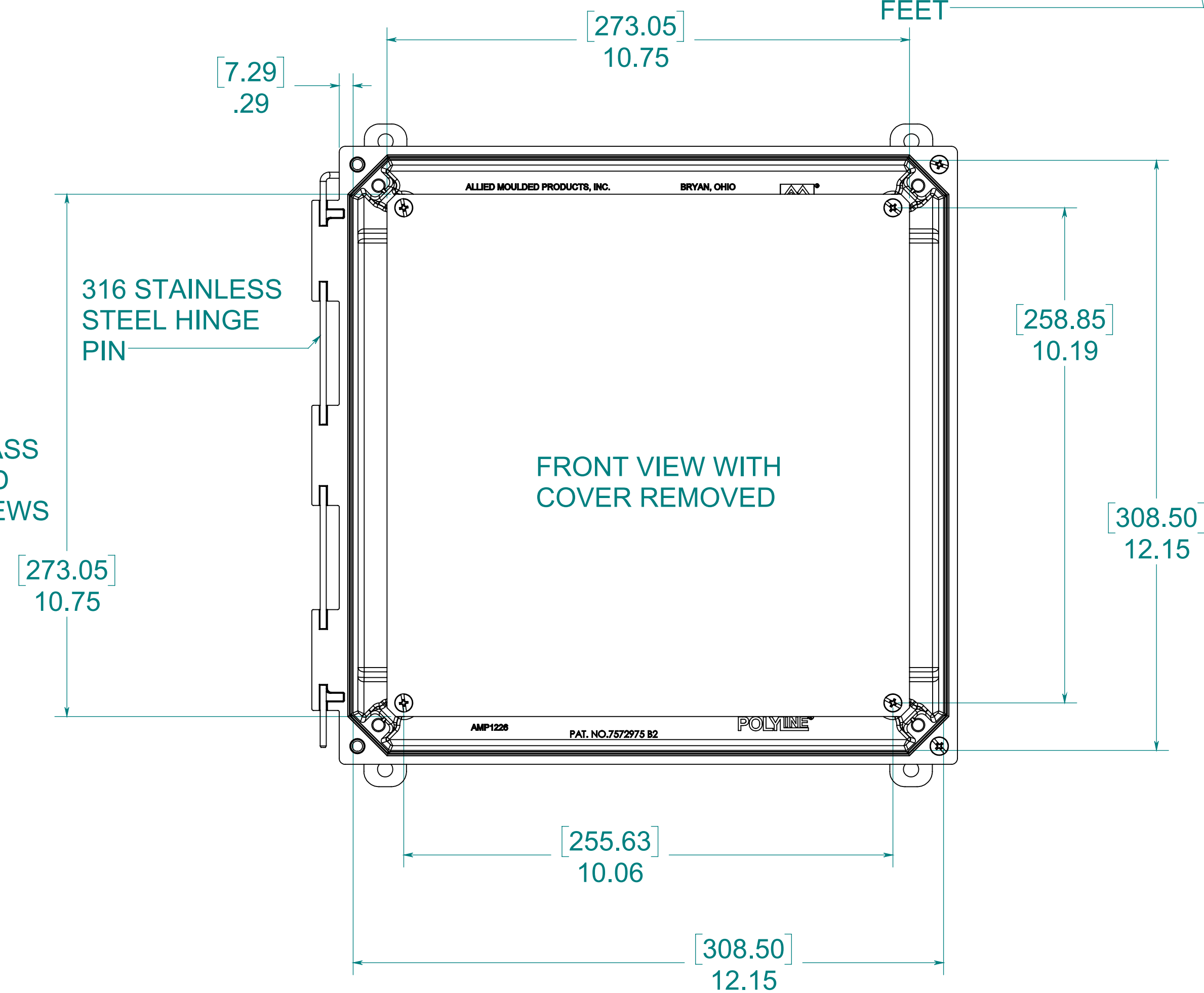


(4X) POLYCARBONATE FEET

(4X) EACH #10-32 BRASS INSERTS AND 316 STAINLESS STEEL FEET SCREWS



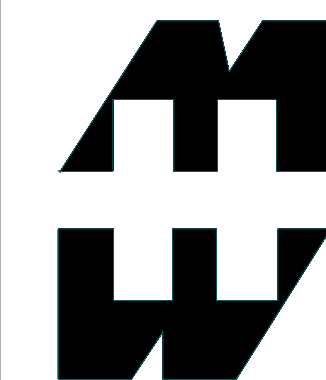
SECTION B-B



FRONT VIEW WITH COVER REMOVED

MATERIAL:  
 BOX- INJECTED POLYCARBONATE  
 STANDARD COVER- INJECTED POLYCARBONATE  
 CLEAR COVER- INJECTED POLYCARBONATE

NOTE:  
 1. DATA SUBJECT TO CHANGE WITHOUT NOTICE.



PART No. PCJ12126H

for more information visit  
[www.hammfg.com](http://www.hammfg.com)  
 Data subject to change without notice

Drawing Not to Scale