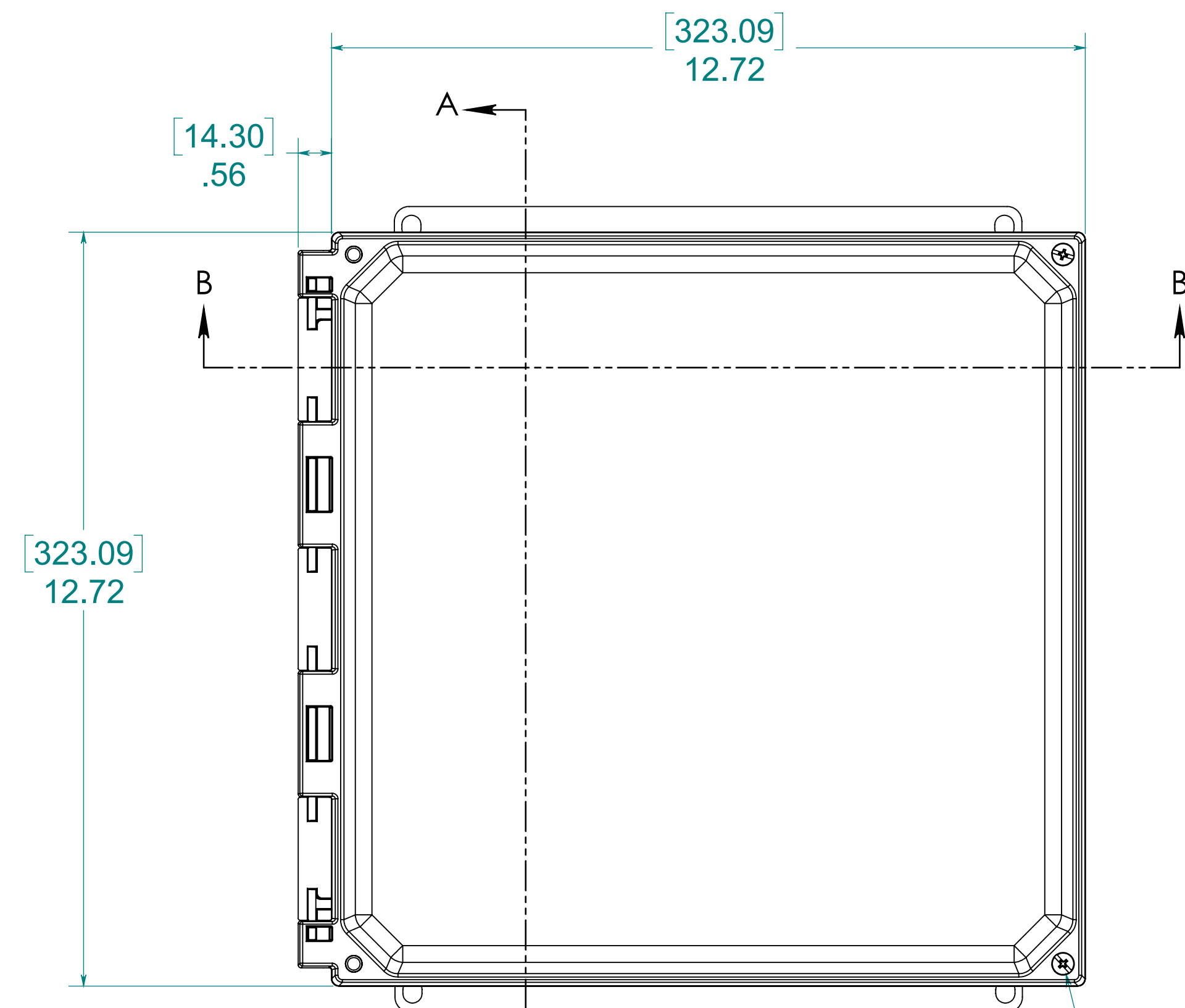
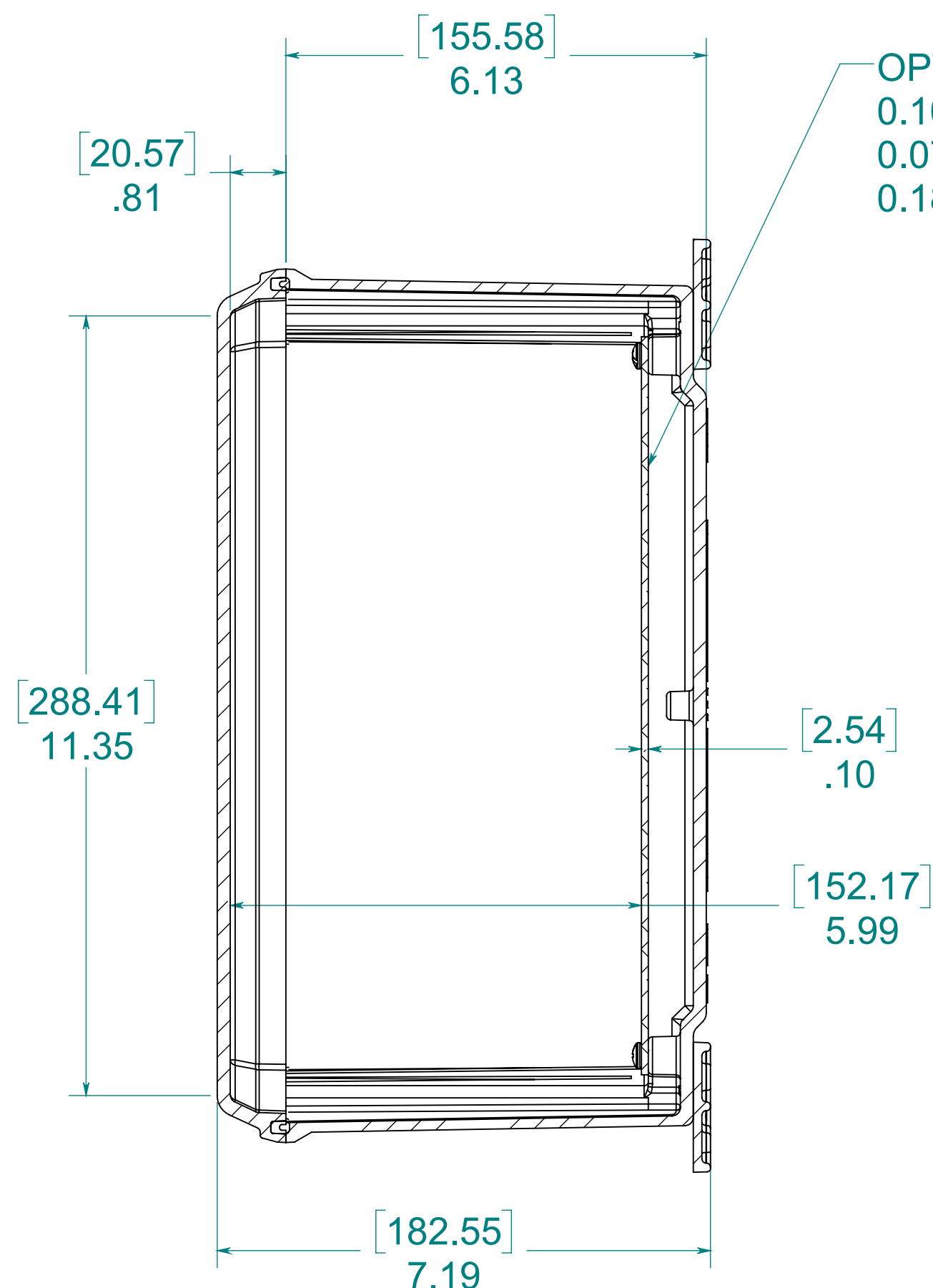


Date	Rev	Description	ECN No.	DR	CK	REL
07/25/2019		INITIAL RELEASE	ECN-302	DJL	LJS	GEL
-	-	-	-	-	-	-
-	-	-	-	-	-	-



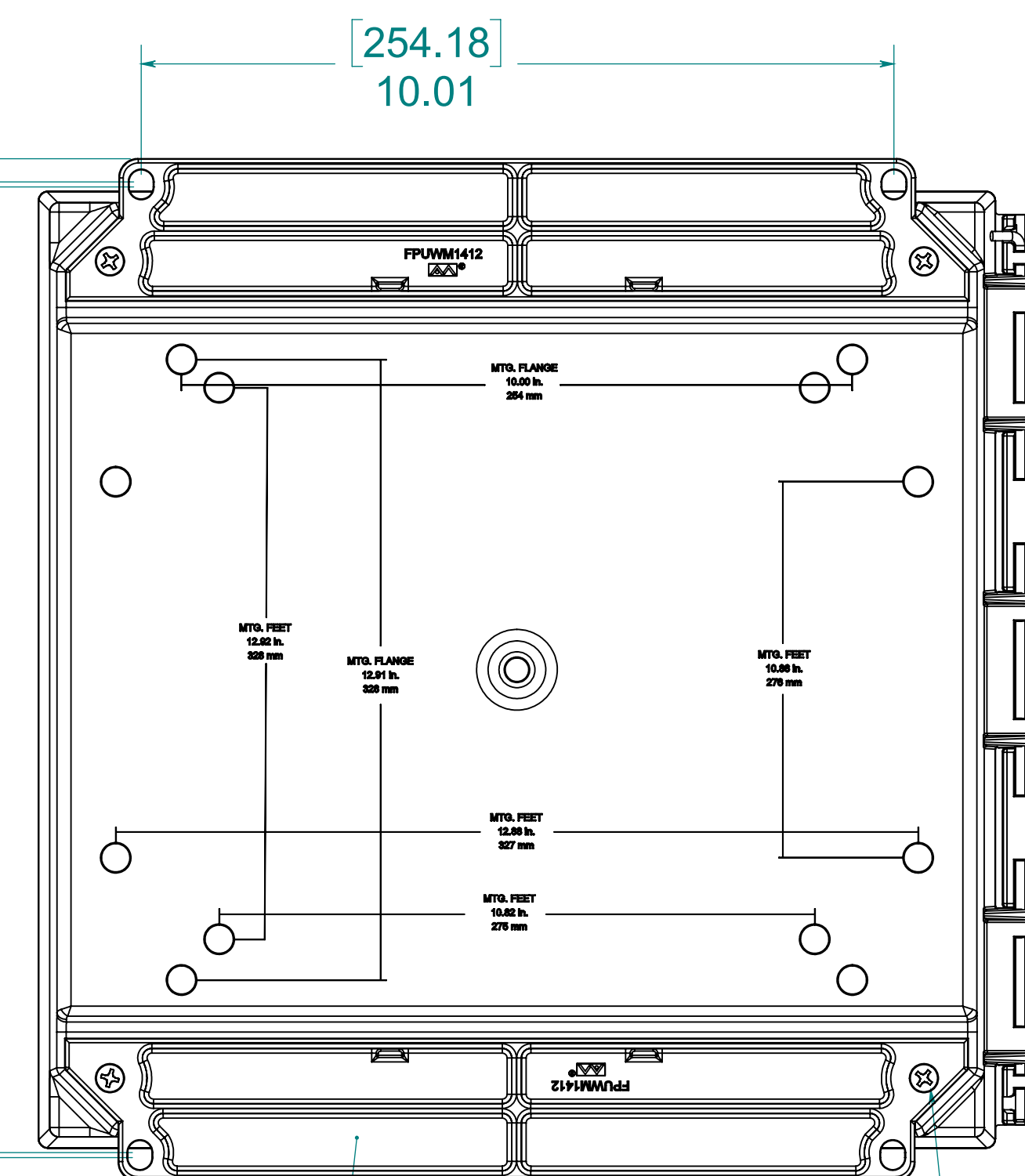
(2X) EACH #10-32 BRASS INSERTS AND 316 STAINLESS STEEL CAPTIVE COVER SCREWS



SECTION A-A

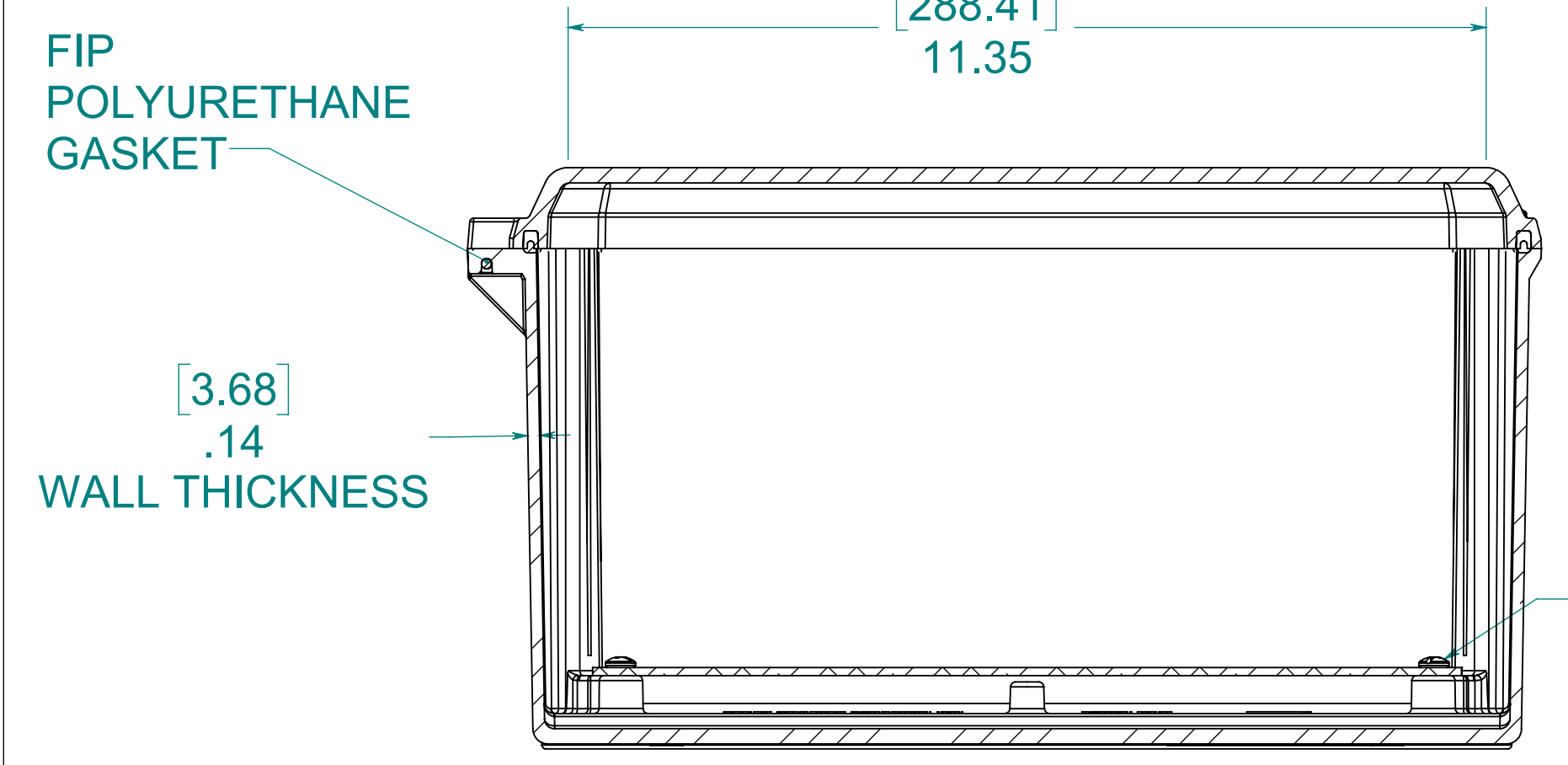
OPTIONAL BACK PANEL SHOWN
 0.100 [2.54mm] TH'K- ALUMINUM
 0.075 [1.91mm] TH'K- WHITE STEEL
 0.188 [4.78mm] TH'K- PVC

[345.19] 13.59
 [329.44] 12.97 MAX SLOT DISTANCE
 [326.14] 12.84 MIN SLOT DISTANCE

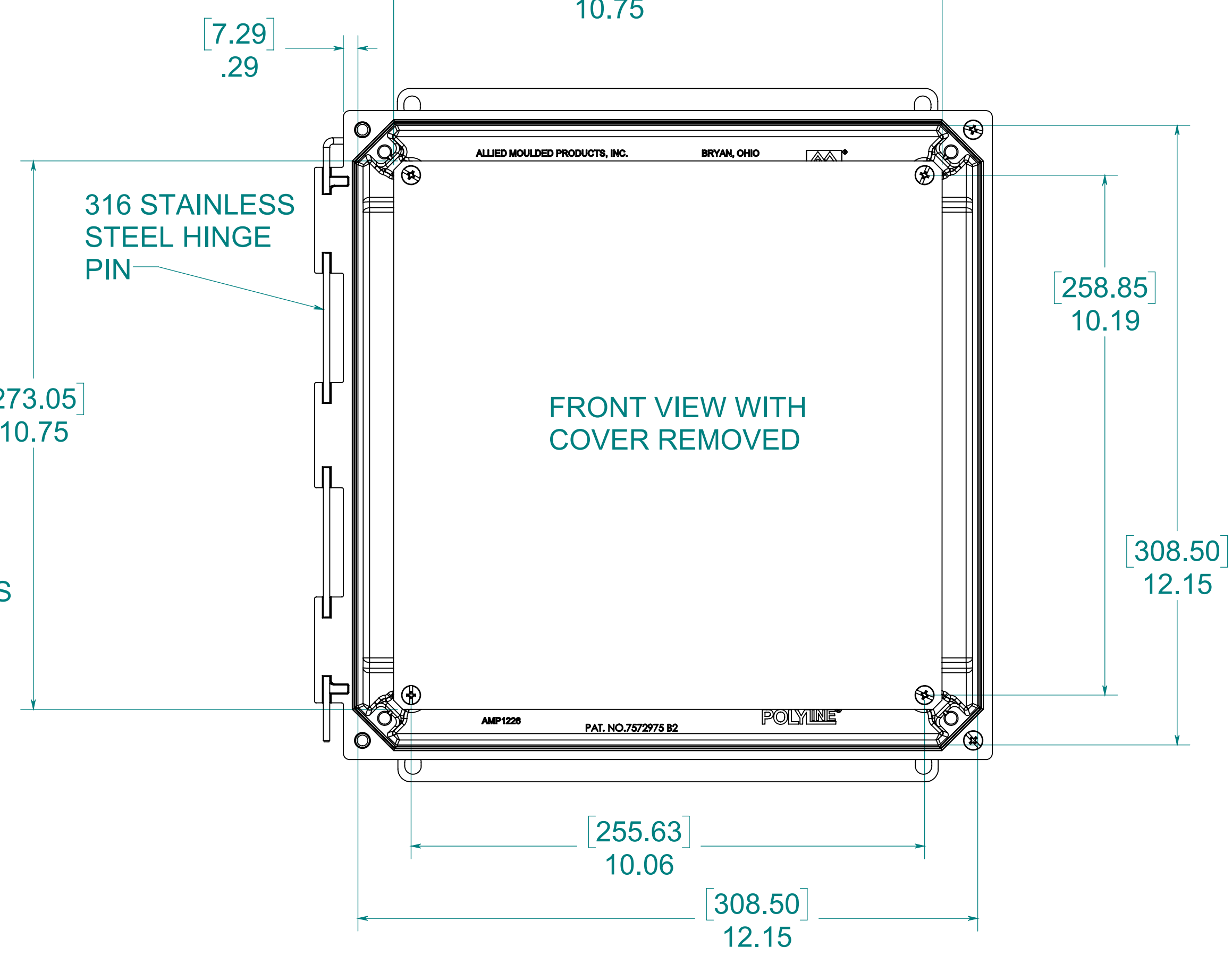


(2X) POLYCARBONATE FLANGE

(4X) EACH #10-32 BRASS INSERTS AND 316 STAINLESS STEEL FLANGE SCREWS



SECTION B-B

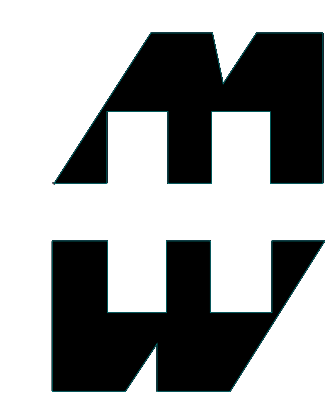


FRONT VIEW WITH COVER REMOVED

316 STAINLESS STEEL HINGE PIN

MATERIAL:
 BOX- INJECTED POLYCARBONATE
 STANDARD COVER- INJECTED POLYCARBONATE
 CLEAR COVER- INJECTED POLYCARBONATE

NOTE:
 1. DATA SUBJECT TO CHANGE WITHOUT NOTICE



PART No. PCJ12126HF

for more information visit www.hammfg.com
 Data subject to change without notice
 Drawing Not to Scale