

STAINLESS STEEL HINGE PIN

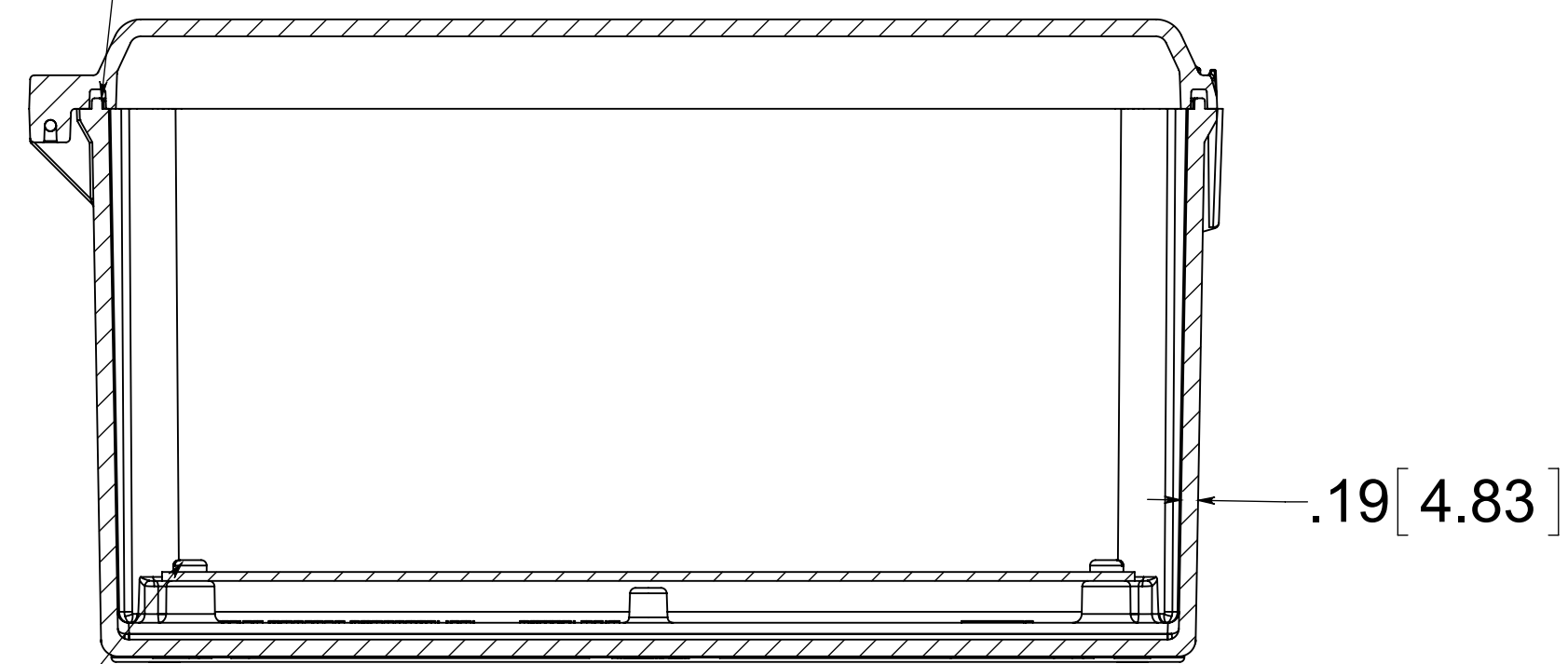
(2) EACH #10-32 BRASS INSERTS AND STAINLESS STEEL CAPTIVE COVER SCREWS WITH RETAINING O-RING

SECTION A-A

(4) POLYCARBONATE FLANGE (GLUED)

(4) EACH #10-32 BRASS INSERTS, AND STAINLESS STEEL FLANGE AND FEET SCREWS

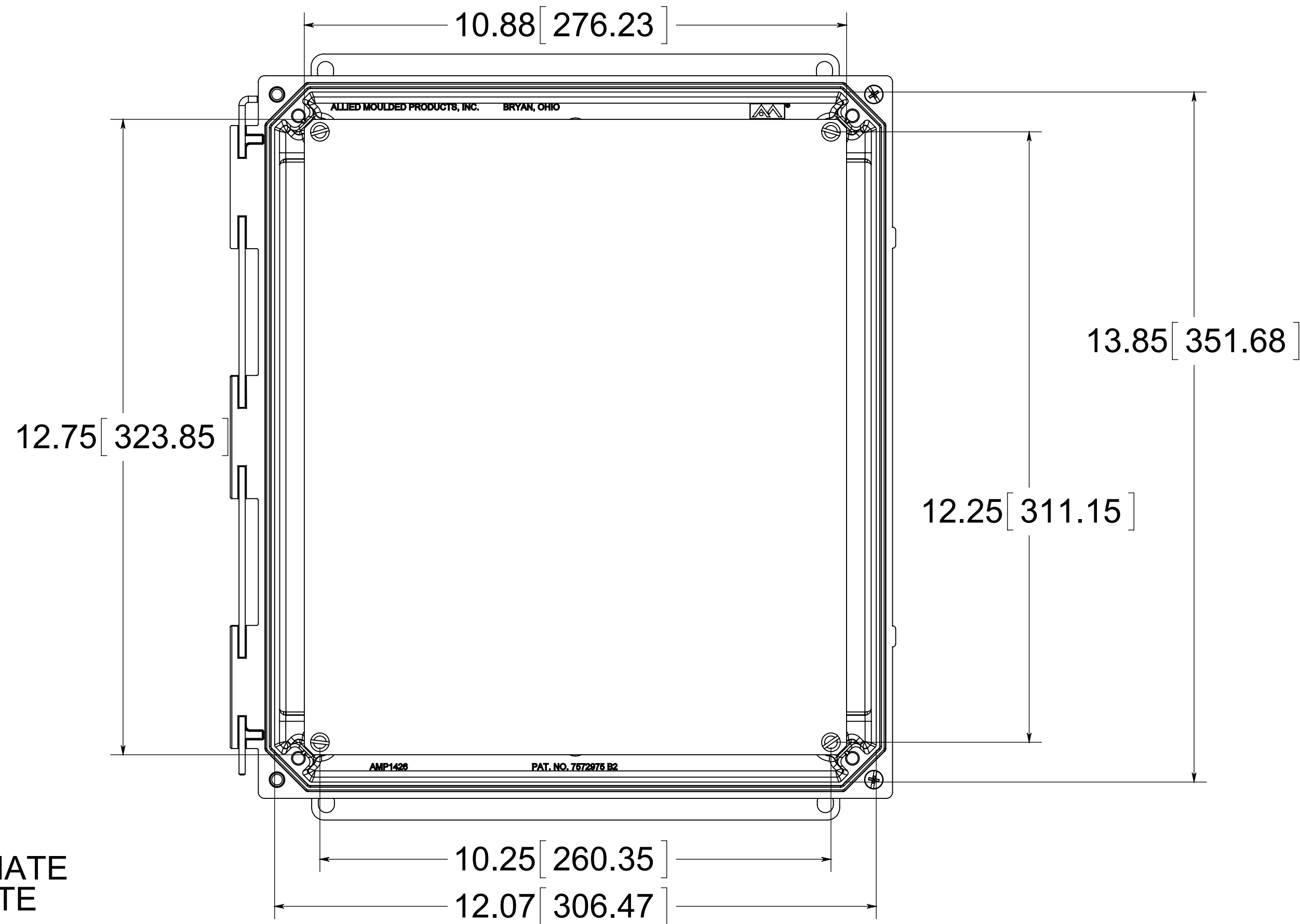
CLOSED CELL NEOPRENE GASKET



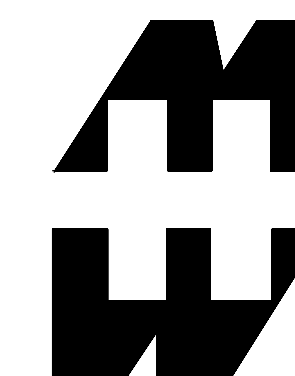
(4) EACH #10-32 BRASS INSERTS AND PLATED CARBON STEEL TRUSS SCREWS

SECTION B-B

FRONT VIEW WITH COVER REMOVED AND BACK PANEL DISPLAYED



MATERIAL:
BOX- INJECTED POLYCARBONATE
STANDARD COVER- INJECTED POLYCARBONATE
CLEAR COVER - INJECTED POLYCARBONATE



PART No. PCJ14126HF

for more information visit www.hammfg.com
Data subject to change without notice

Drawing Not to Scale