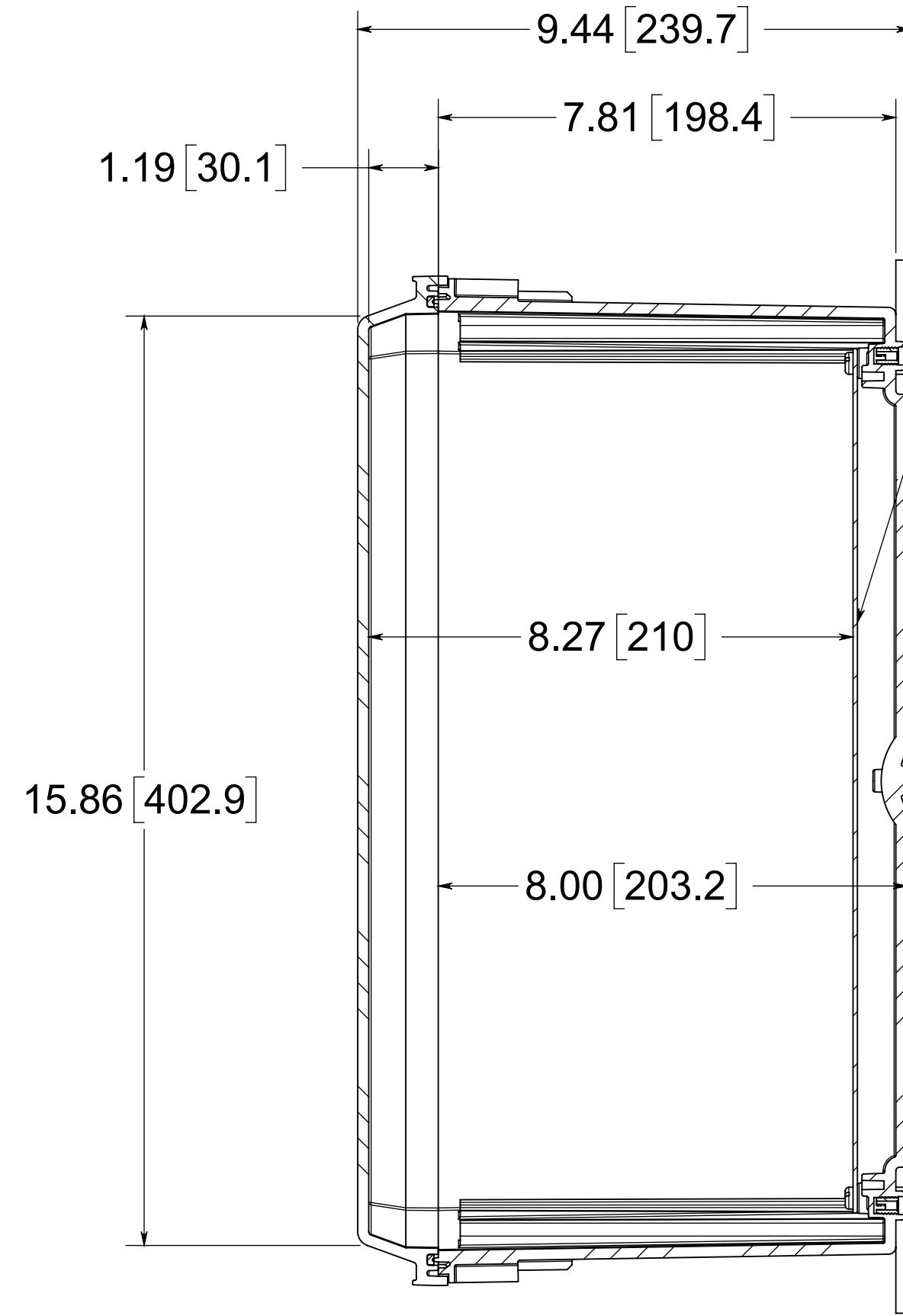


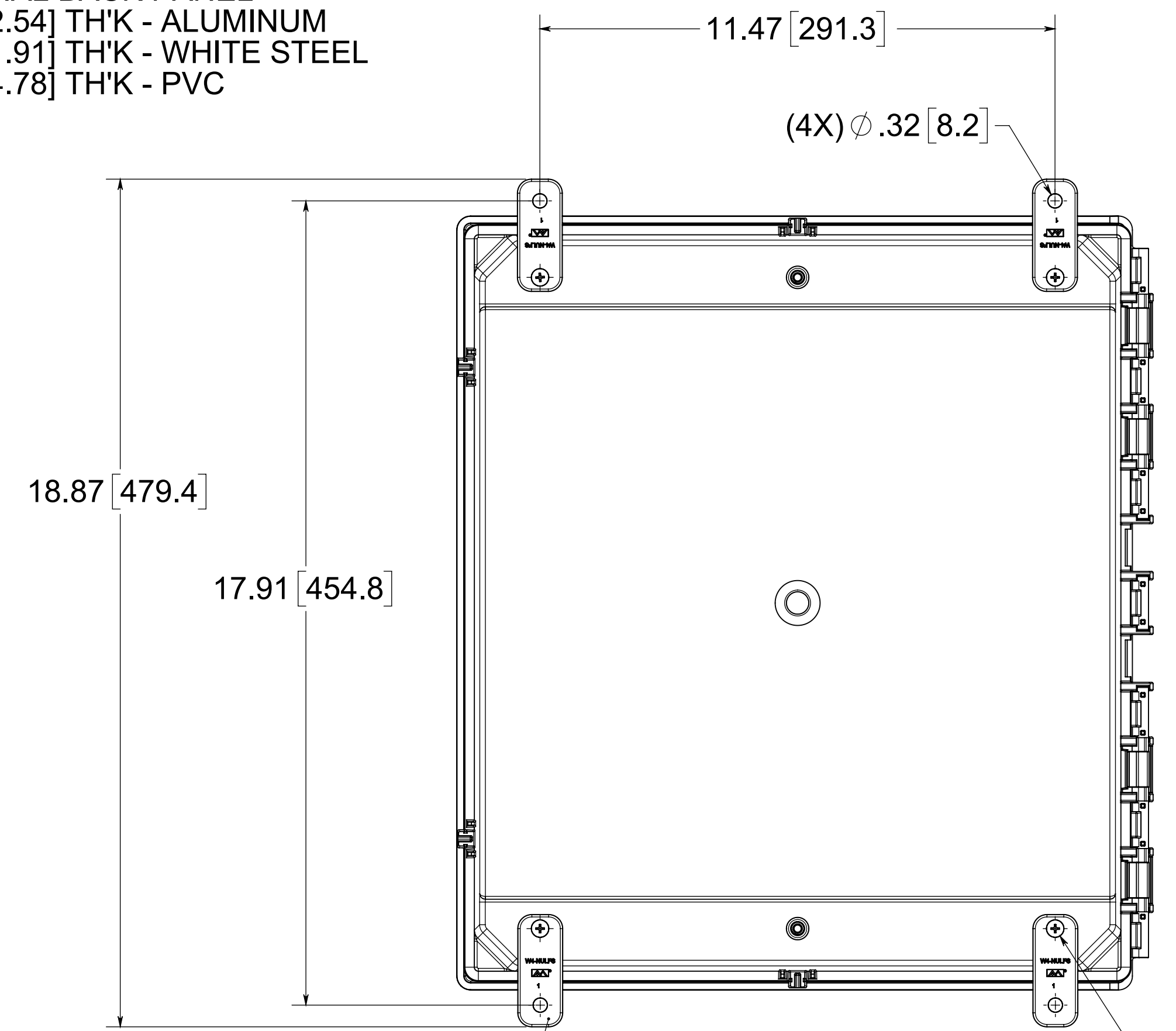
(4X) SNAP-IN POLYCARBONATE HINGE KNUCKLE

(2X) #10-32 BRASS INSERTS AND 316 STAINLESS STEEL CAPTIVE COVER SCREWS



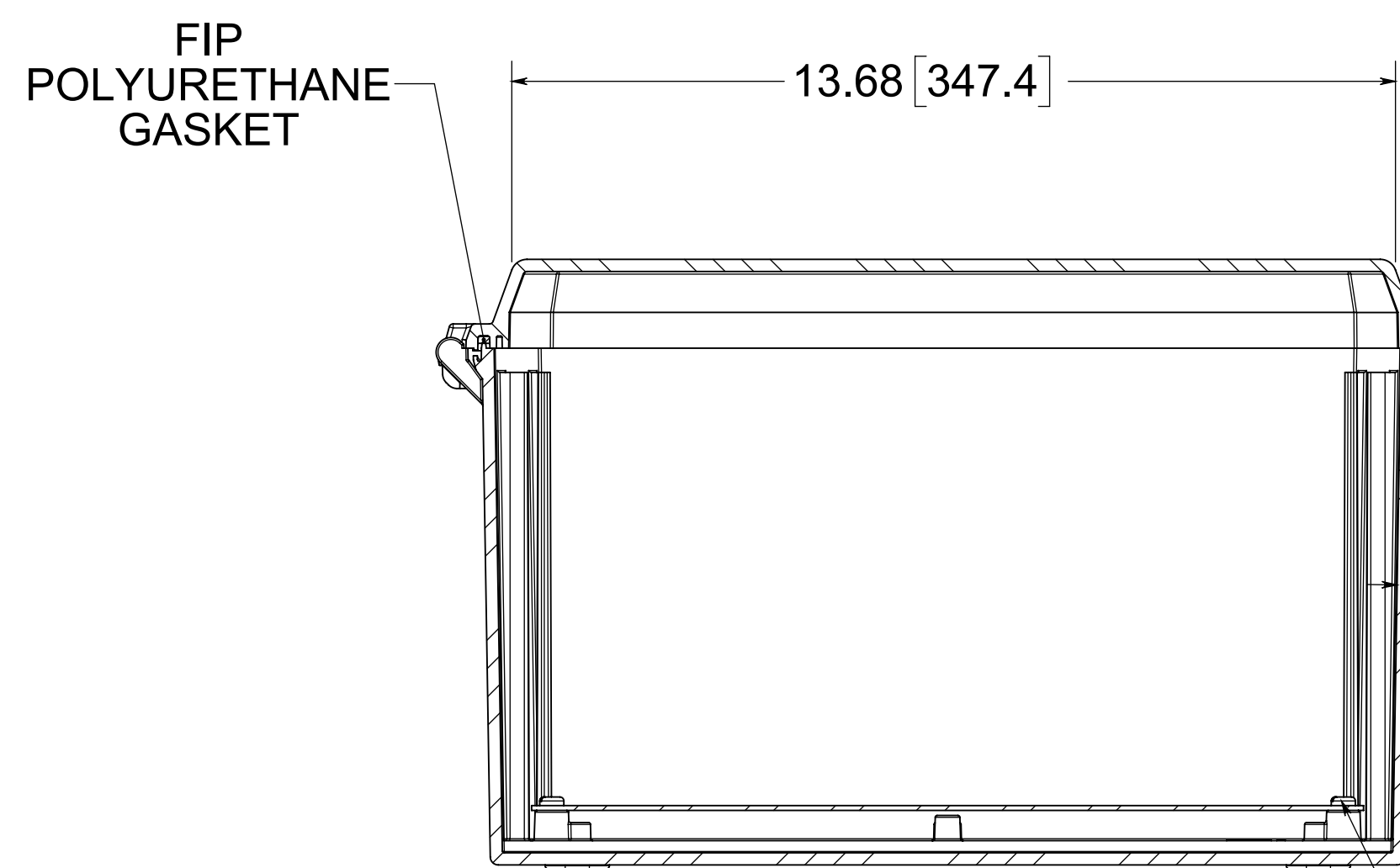
SECTION A-A

OPTIONAL BACK PANEL
0.100 [2.54] TH'K - ALUMINUM
0.075 [1.91] TH'K - WHITE STEEL
0.188 [4.78] TH'K - PVC



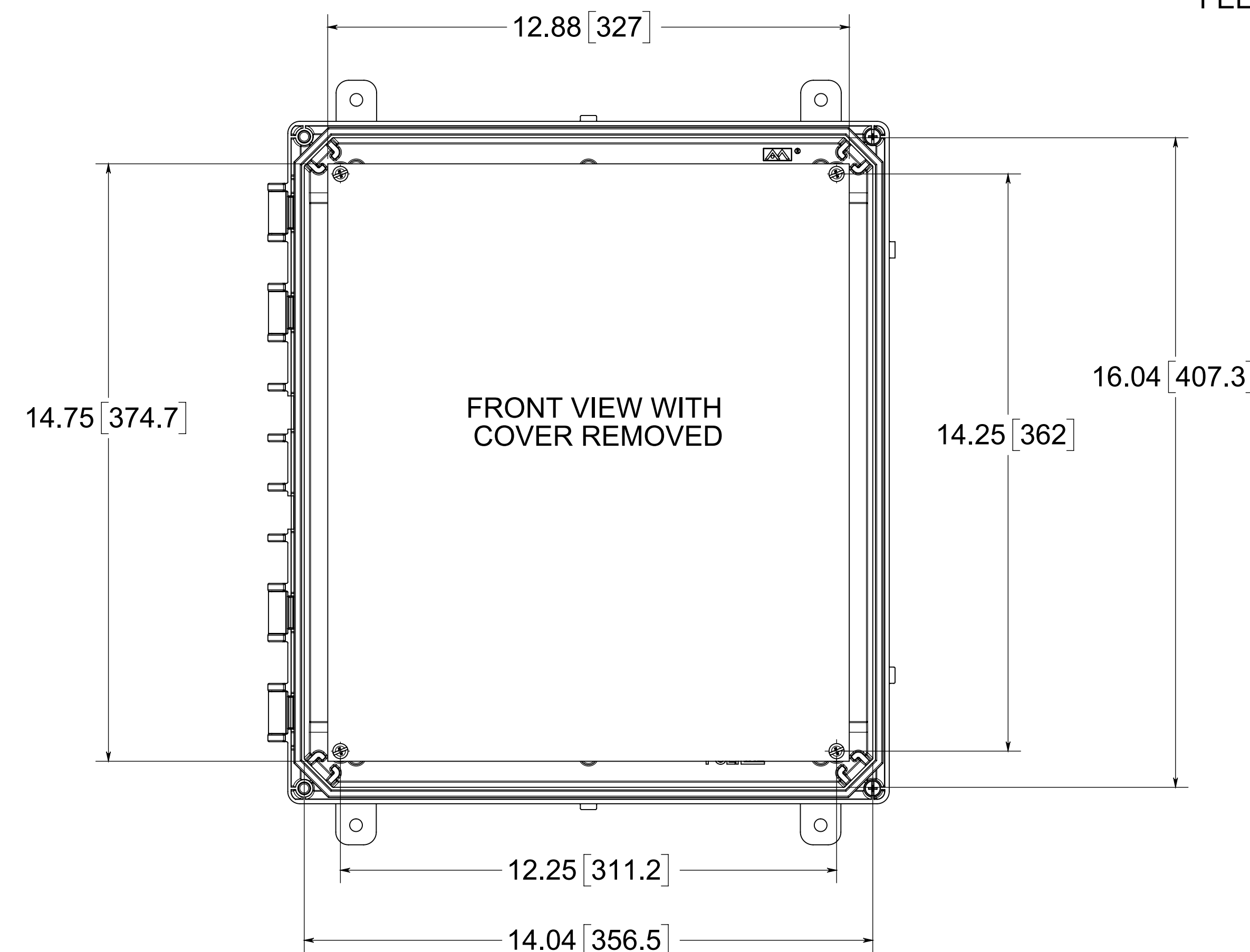
(4X) POLYCARBONATE FEET

(4X) #10-32 BRASS INSERTS, 316 STAINLESS STEEL FLANGE AND FEET SCREWS



SECTION B-B

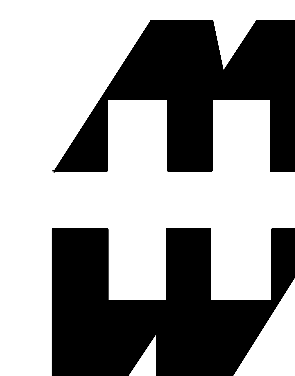
(4X) #10-32 BRASS INSERTS AND PLATED CARBON STEEL TRUSS SCREWS



FRONT VIEW WITH COVER REMOVED

NOTE:
1. DATA SUBJECT TO CHANGE

MATERIAL:
BOX - INJECTED POLYCARBONATE
STANDARD COVER - INJECTED POLYCARBONATE
CLEAR COVER - INJECTED POLYCARBONATE



PART No. PCJ16148CCH

for more information visit
www.hammfg.com
Data subject to change without notice

Drawing Not to Scale