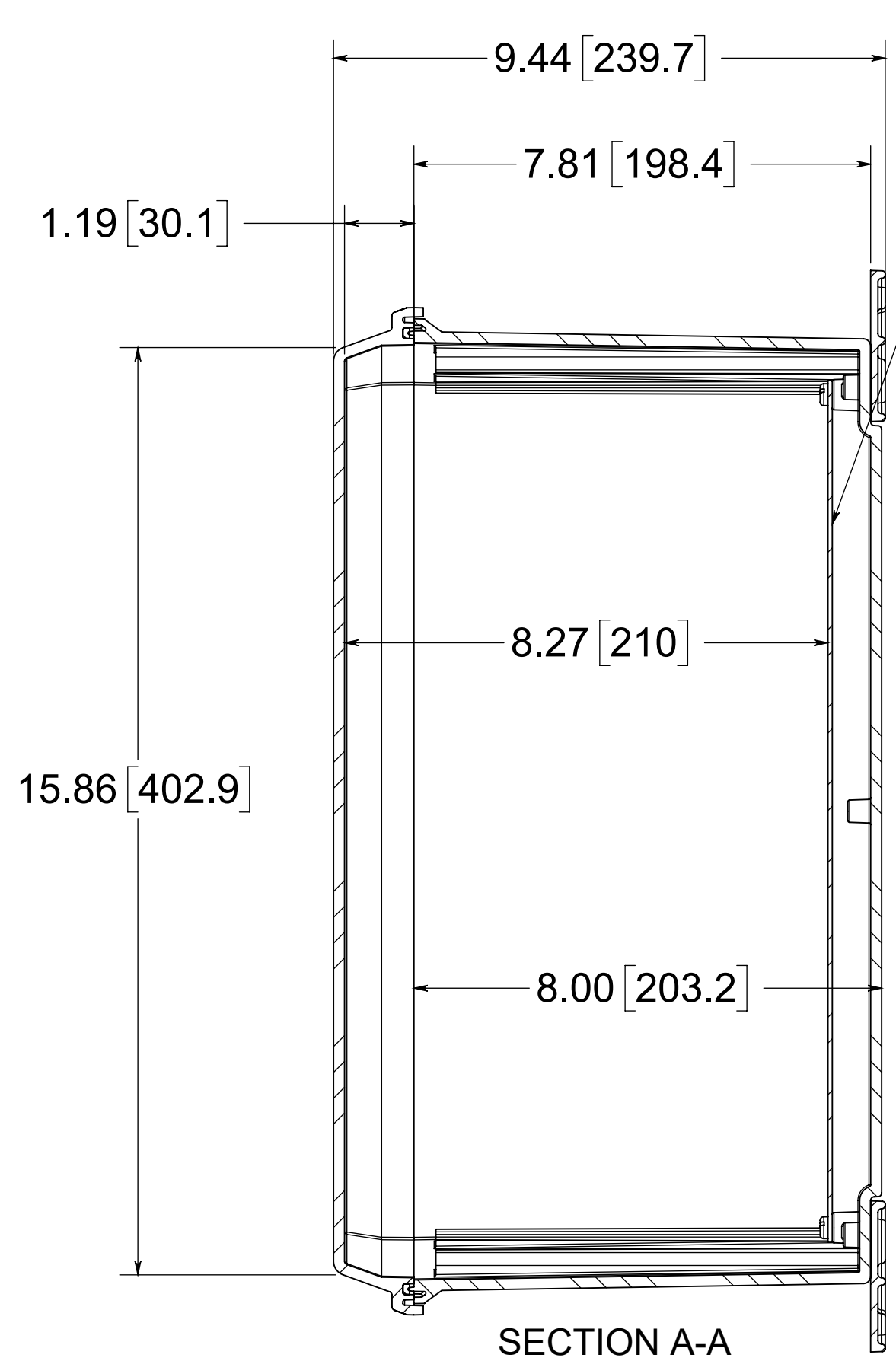
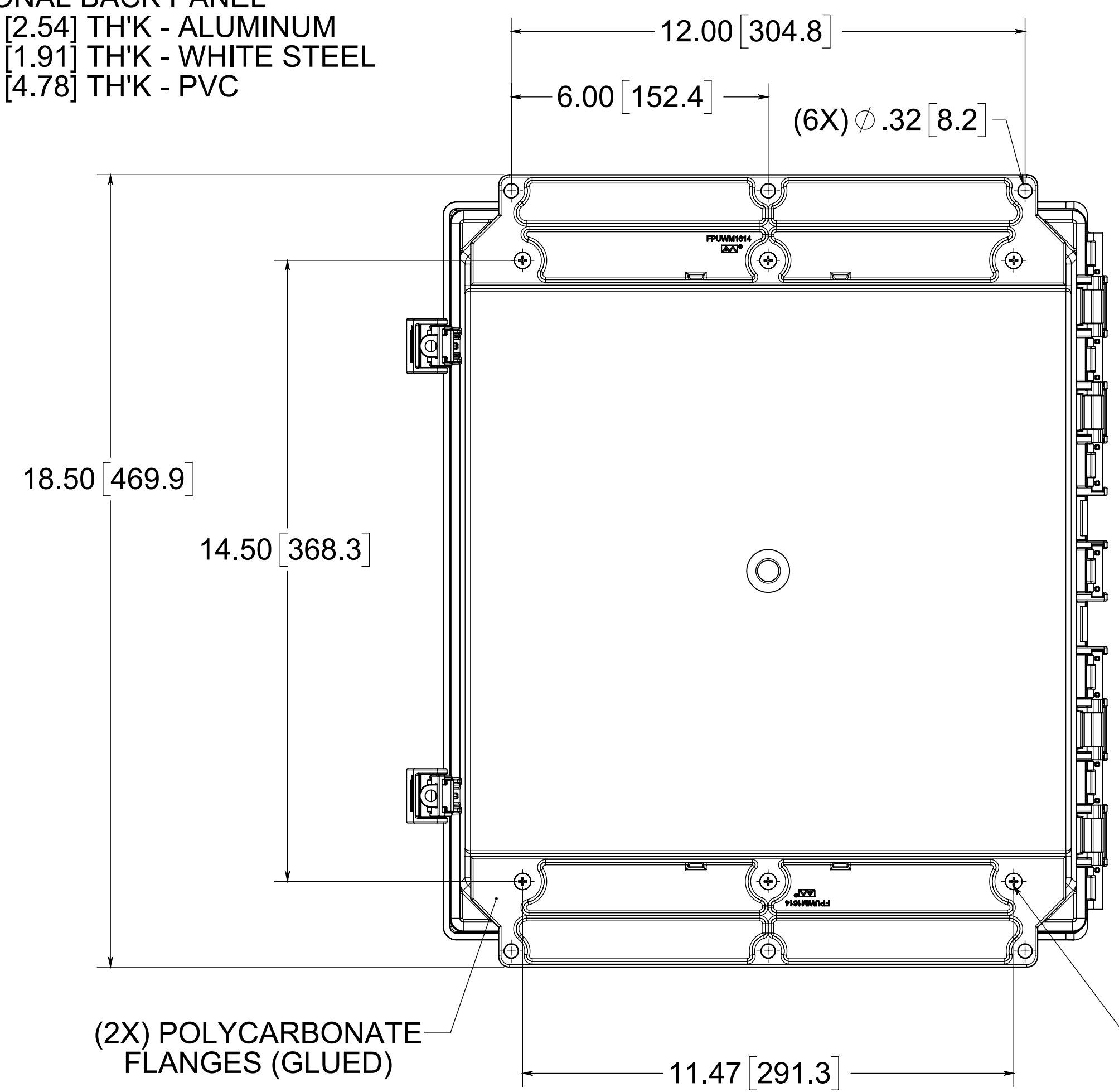


(4X) SNAP-IN POLYCARBONATE HINGE KNUCKLE

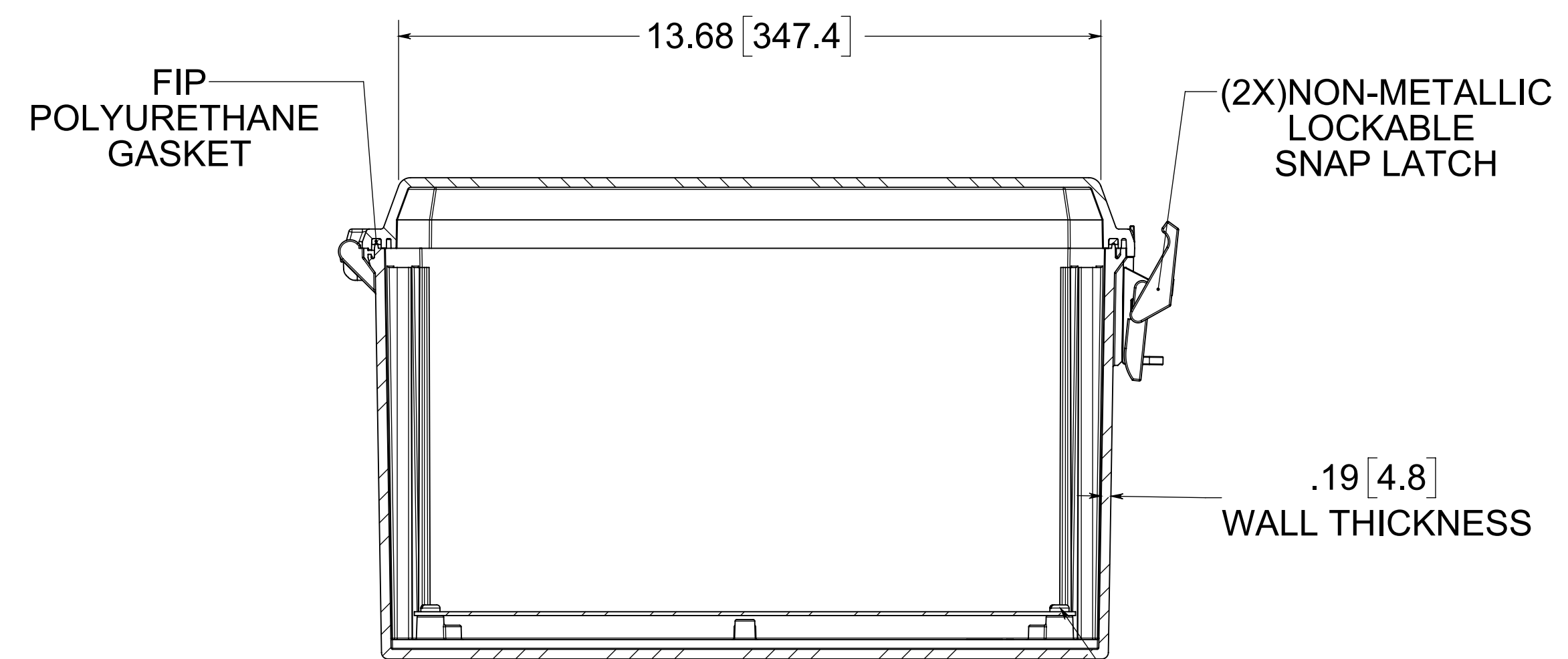


OPTIONAL BACK PANEL
 0.100 [2.54] TH'K - ALUMINUM
 0.075 [1.91] TH'K - WHITE STEEL
 0.188 [4.78] TH'K - PVC

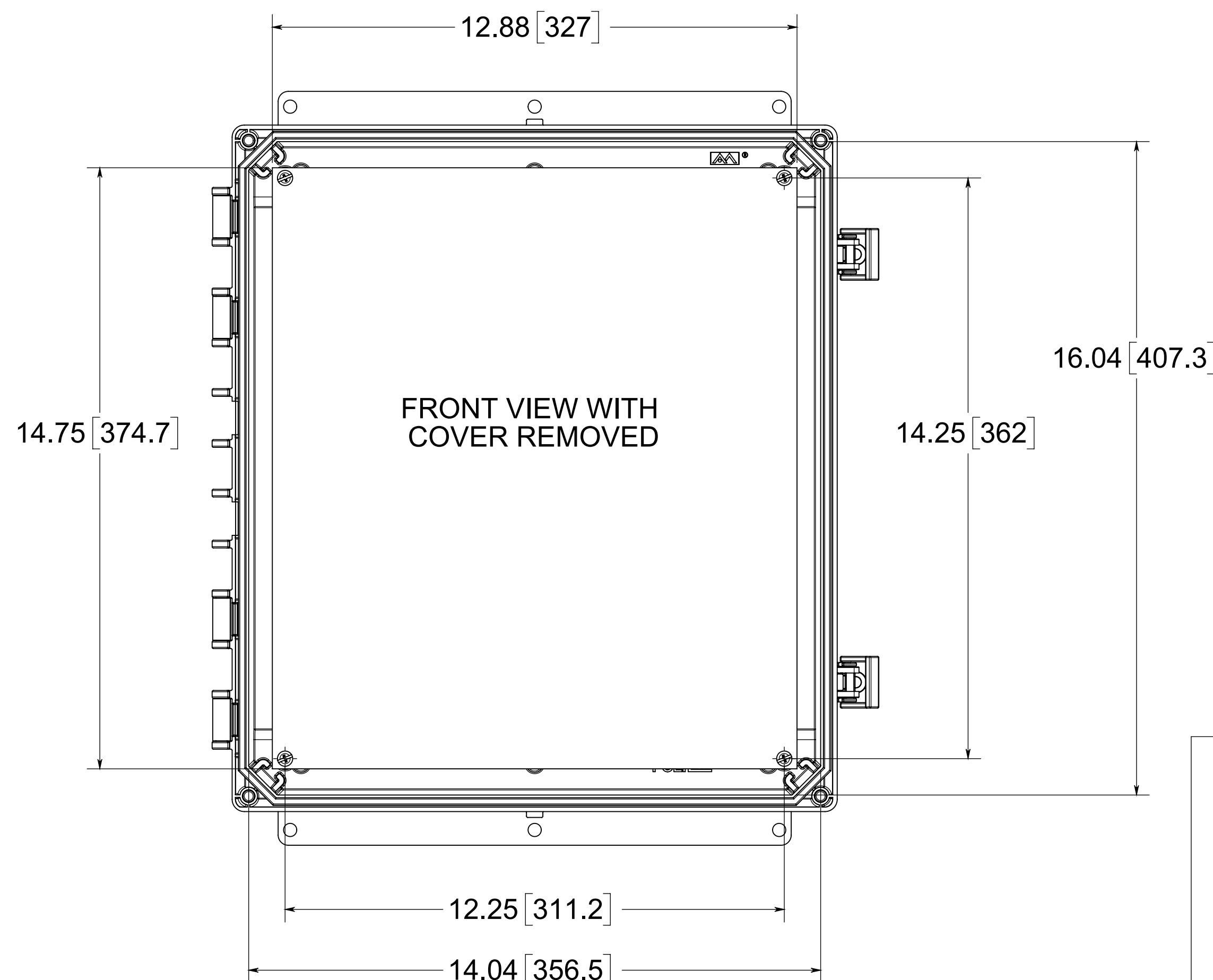


(2X) POLYCARBONATE FLANGES (GLUED)

(6X) #10-32 BRASS INSERTS, 316 STAINLESS STEEL FLANGE AND FEET SCREWS

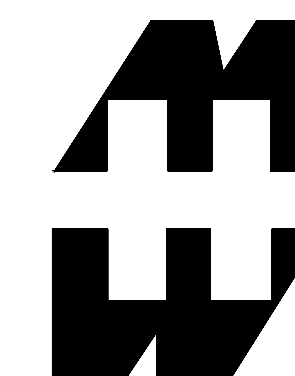


(4X) #10-32 BRASS INSERTS AND PLATED CARBON STEEL TRUSS SCREWS



NOTE:
 1. DATA SUBJECT TO CHANGE

MATERIAL:
 BOX - INJECTED POLYCARBONATE
 STANDARD COVER - INJECTED POLYCARBONATE
 CLEAR COVER - INJECTED POLYCARBONATE



PART No. PCJ16148NLF

for more information visit
www.hammfg.com
 Data subject to change without notice
 Drawing Not to Scale