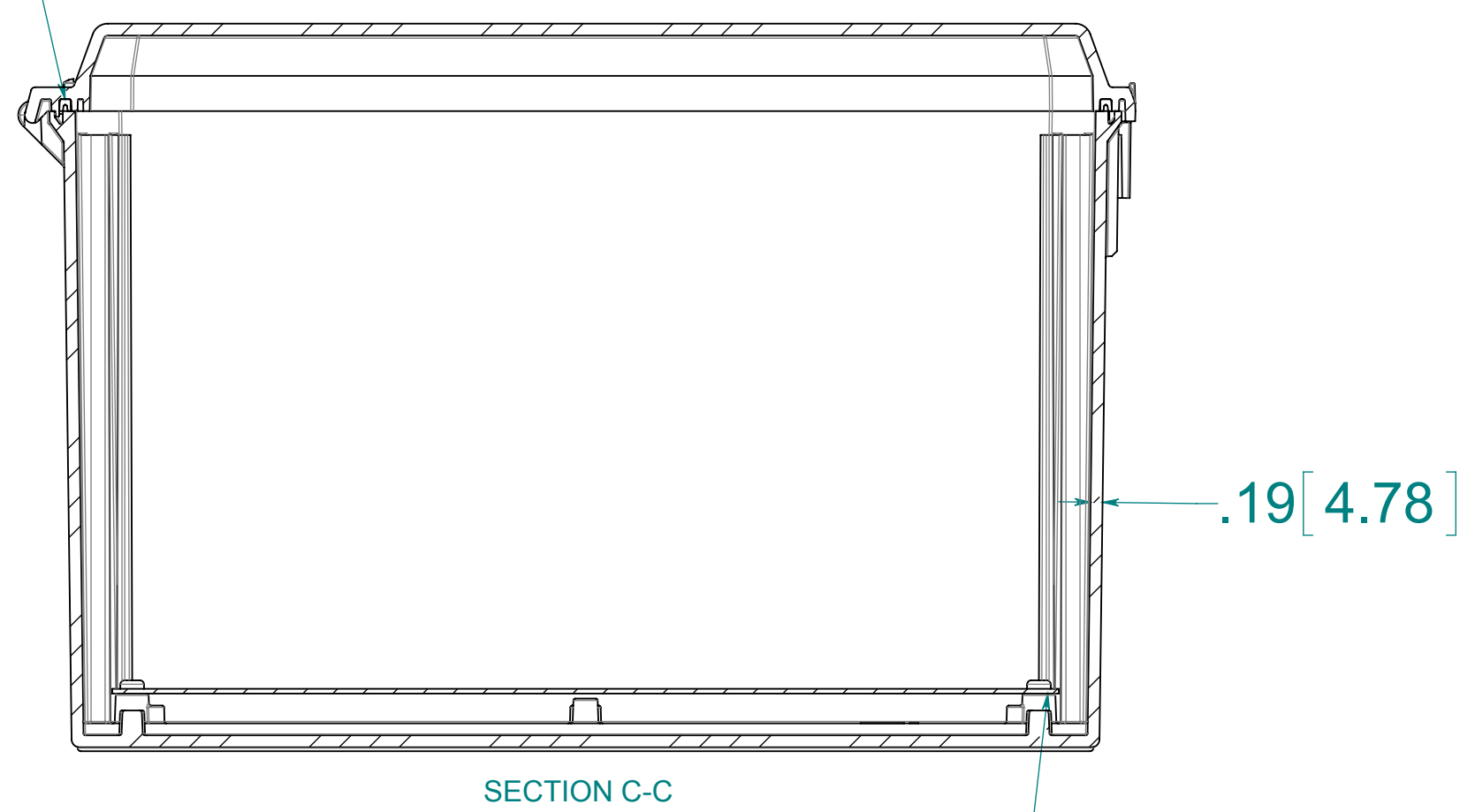
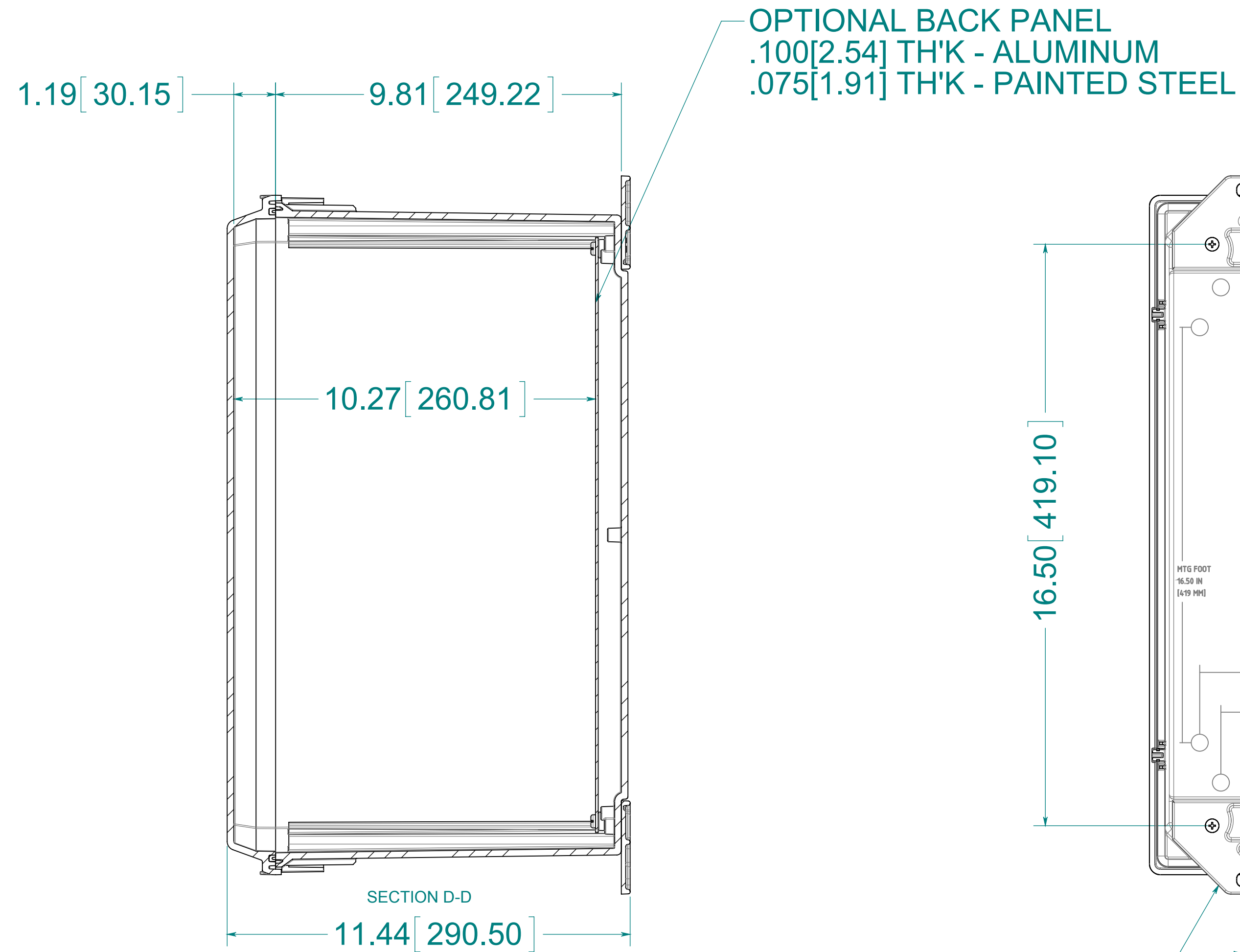


(4) EACH #10-32 BRASS INSERTS AND STAINLESS STEEL CAPTIVE COVER SCREWS WITH RETAINING O-RING

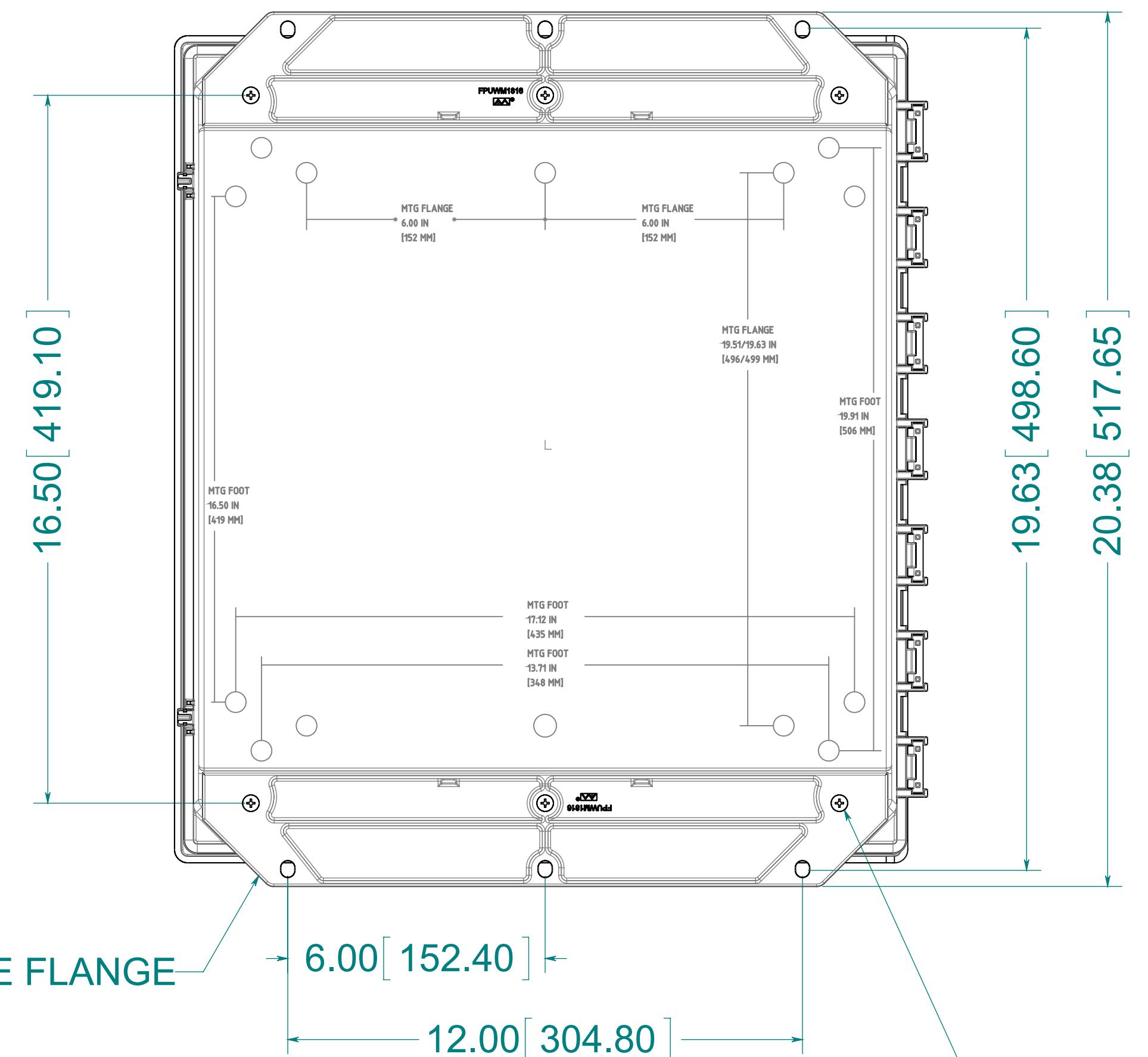
FIP POLYURETHANE FOAM GASKET



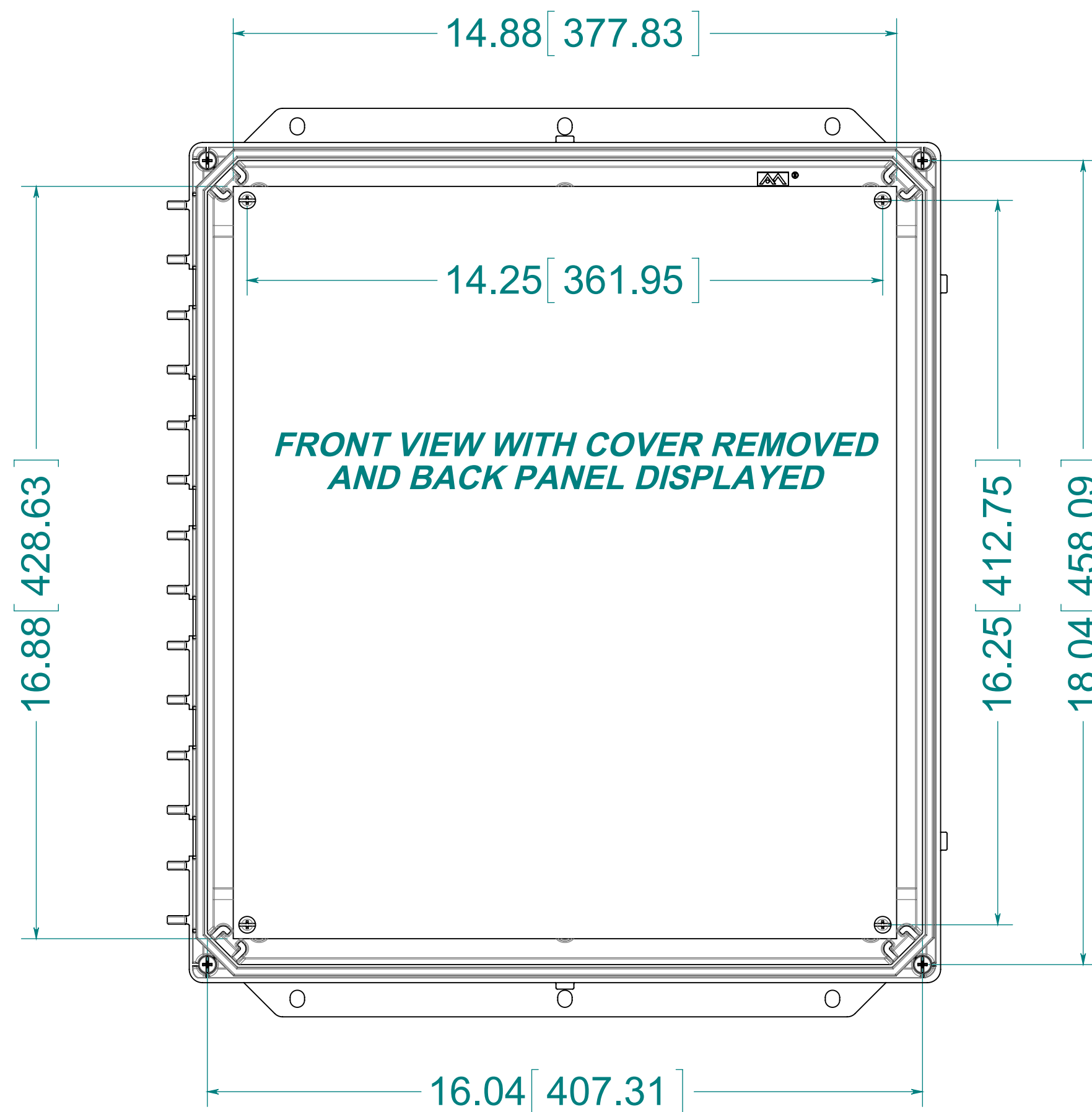
(4) EACH #10-32 BRASS INSERTS PLATED CARBON STEEL SCREWS TO RETAIN BACK PANEL



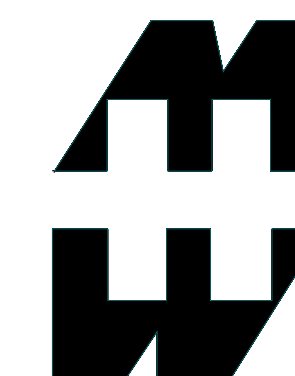
(4) POLYCARBONATE FLANGE



(6) EACH #10-32 BRASS INSERTS AND STAINLESS STEEL FLANGE AND FEET SCREWS



MATERIAL:  
 BOX: INJECTION MOLDED POLYCARBONATE  
 STANDARD COVER: INJECTION MOLDED POLYCARBONATE  
 CLEAR COVER: INJECTION MOLDED POLYCARBONATE



PART No. PCJ181610F

for more information visit [www.hammfg.com](http://www.hammfg.com)  
 Data subject to change without notice

Drawing Not to Scale