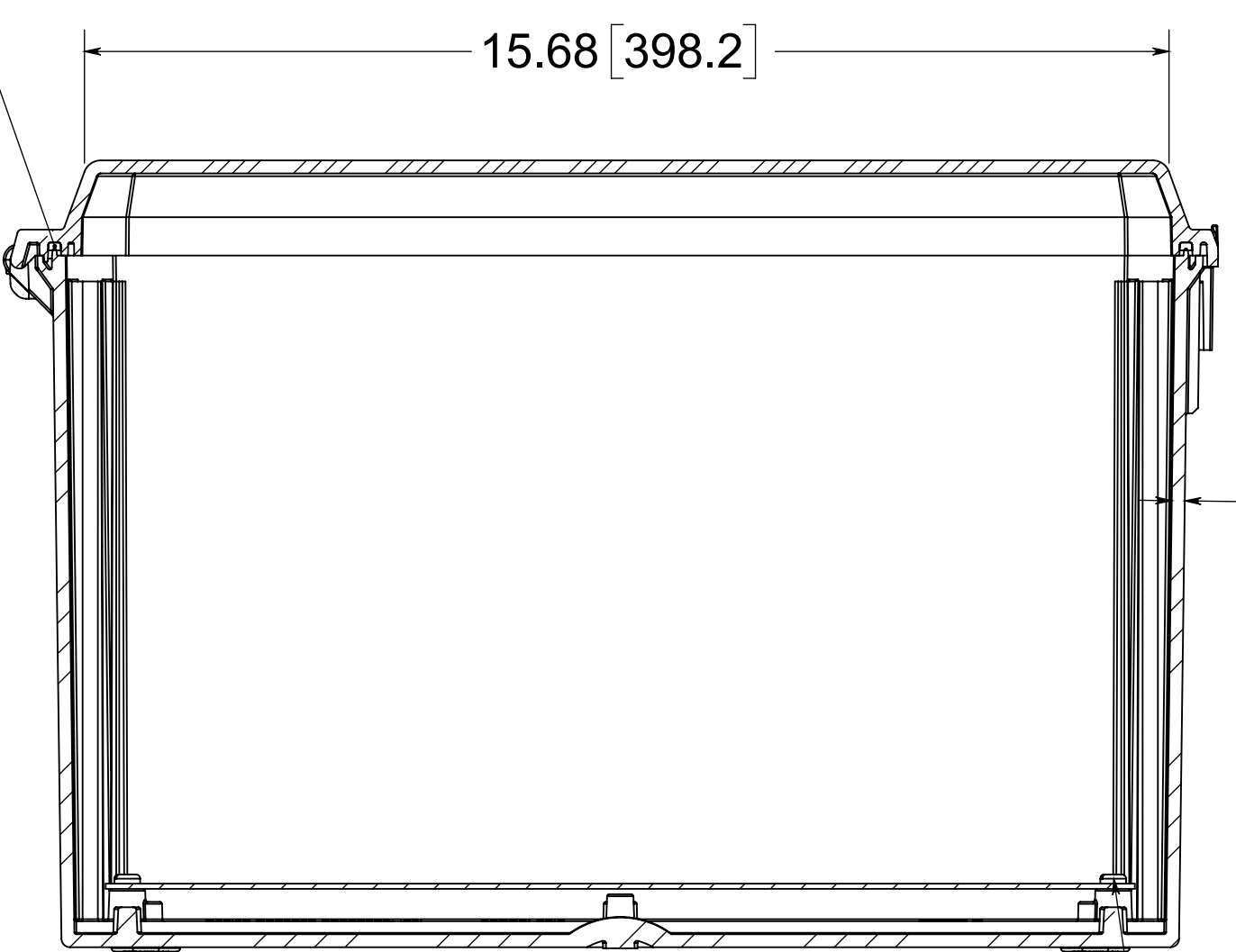


(4X) SNAP-IN POLYCARBONATE HINGE KNUCKLE

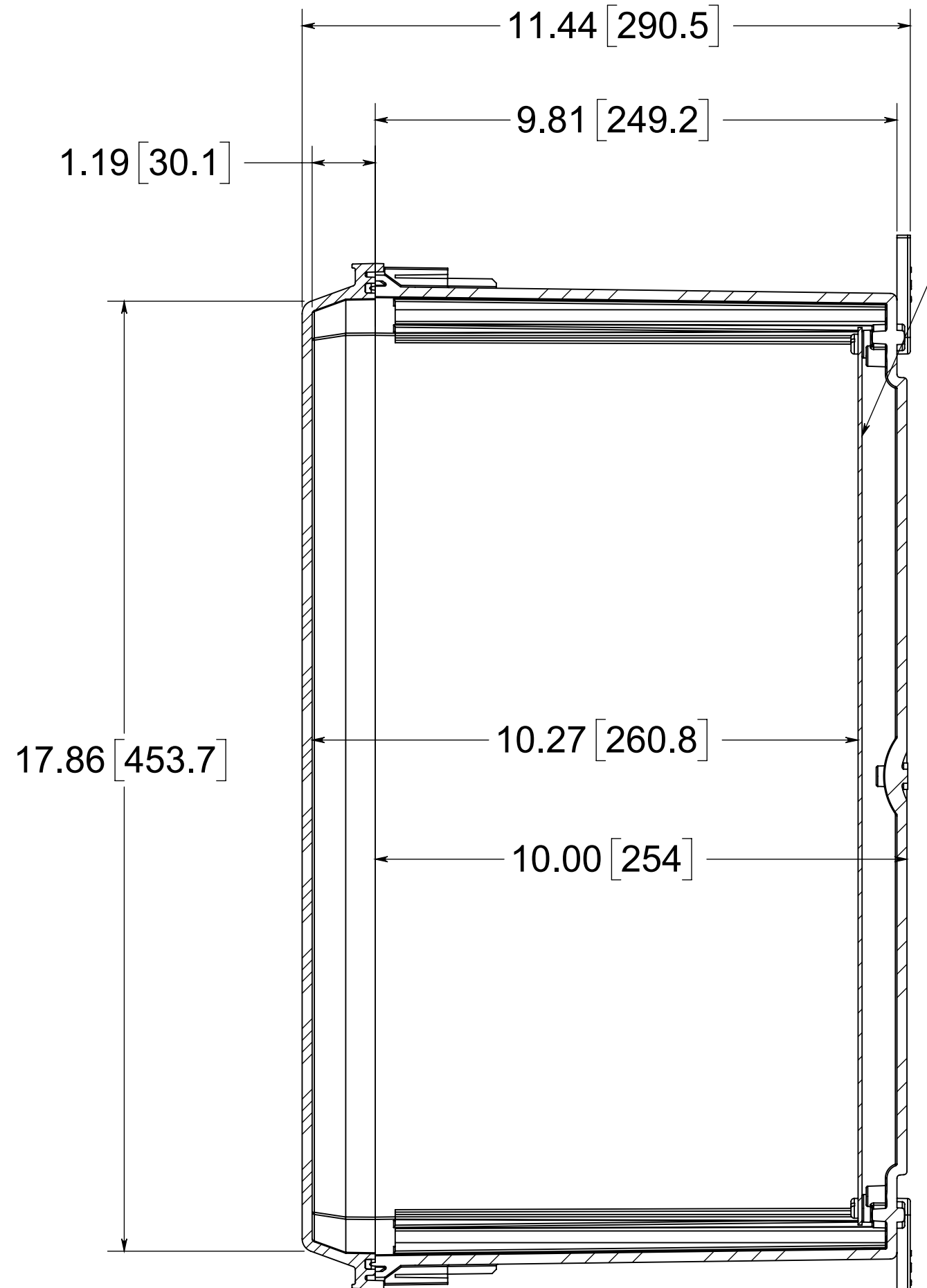
(2X) #10-32 BRASS INSERTS AND 316 STAINLESS STEEL CAPTIVE COVER SCREW

FIP POLYURETHANE GASKET



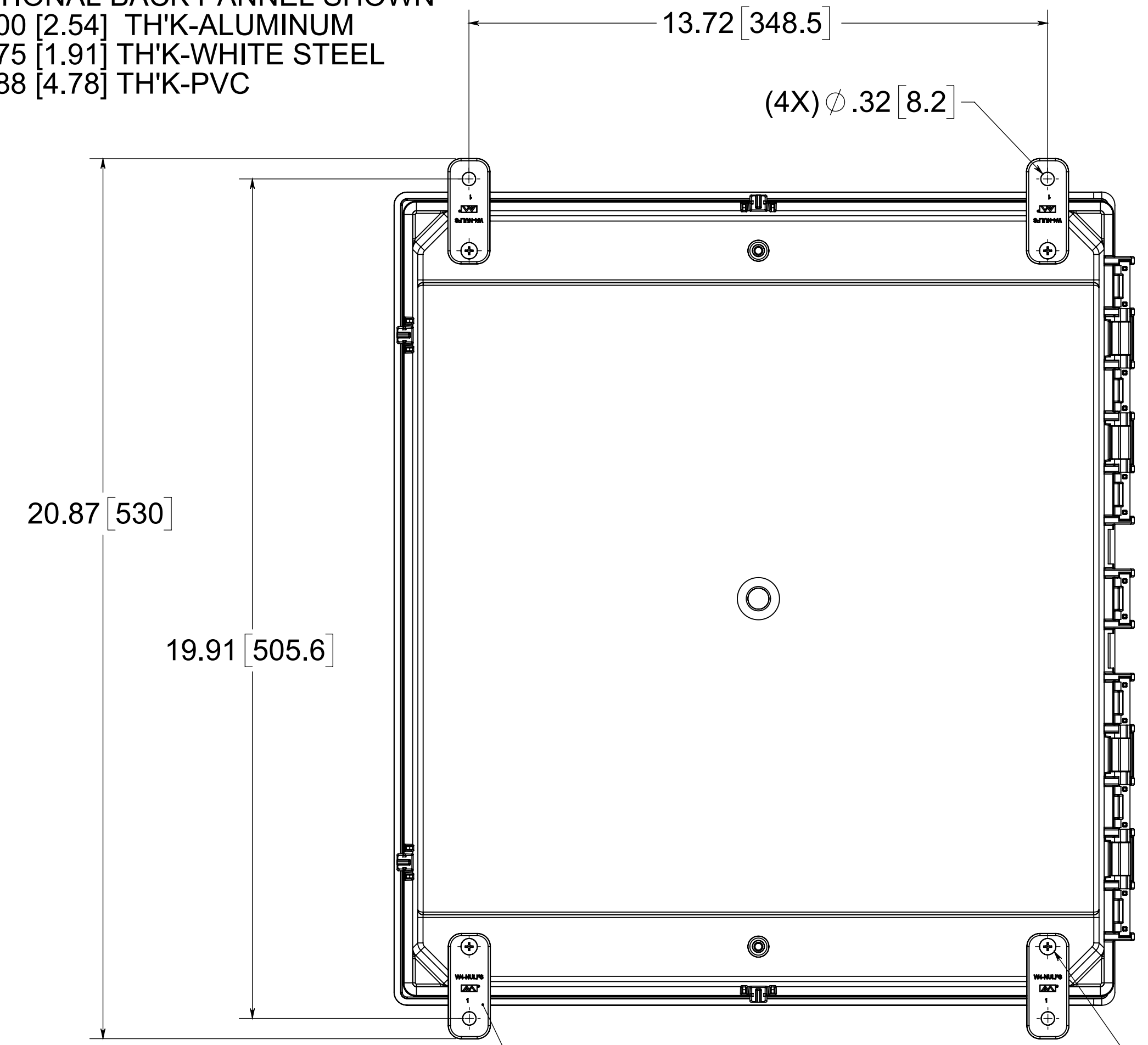
SECTION B-B SCALE 1 : 2.5

MATERIAL:  
BOX: INJECTION POLYCARBONATE  
STANDARD COVER: INJECTION POLYCARBONATE  
CLEAR COVER: INJECTION POLYCARBONATE



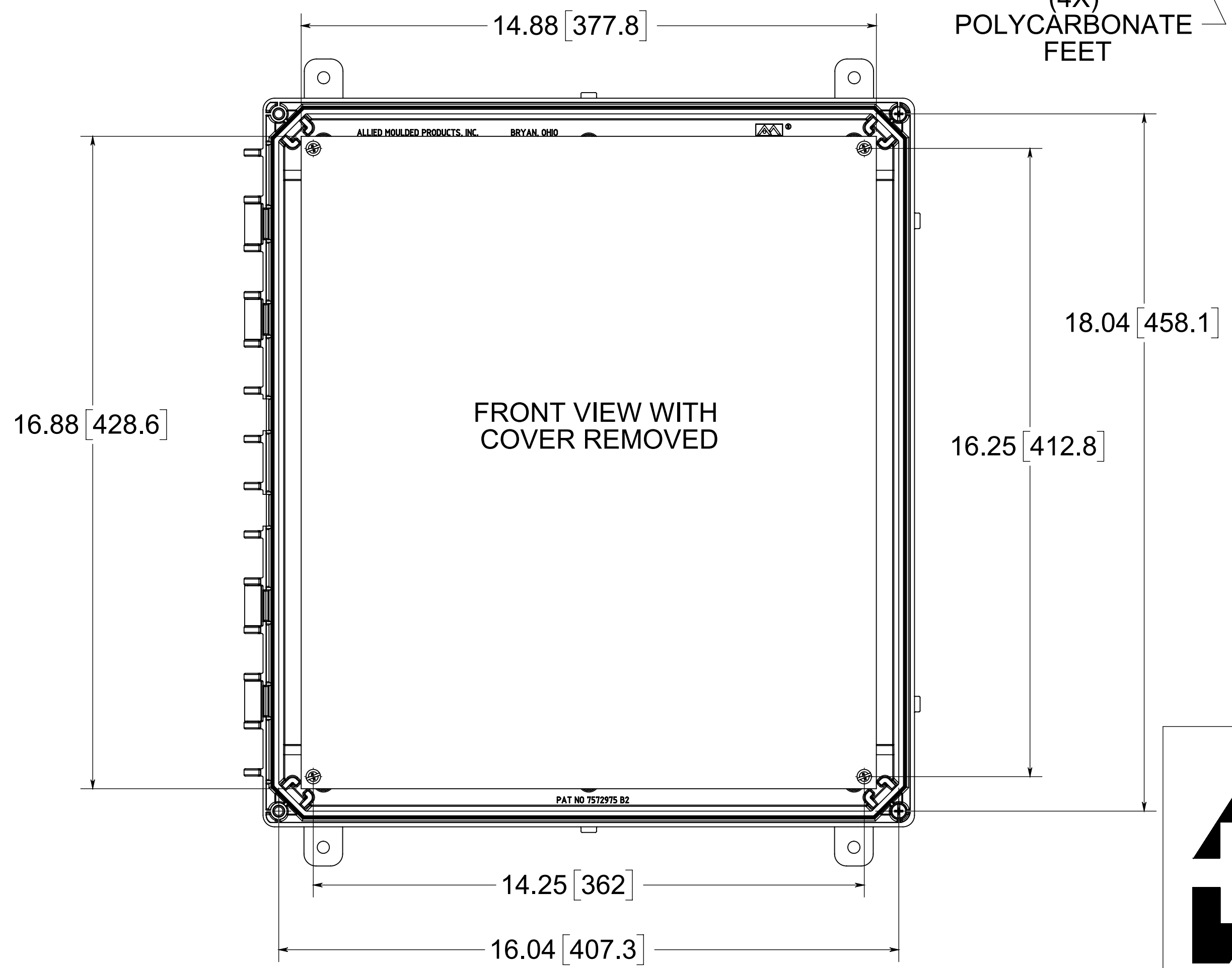
SECTION A-A SCALE 1 : 2.5

OPTIONAL BACK PANNEL SHOWN  
0.100 [2.54] TH'K-ALUMINUM  
0.075 [1.91] TH'K-WHITE STEEL  
0.188 [4.78] TH'K-PVC

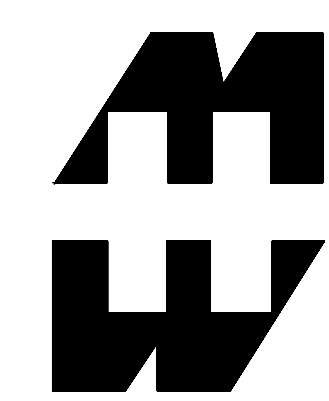


(4X) POLYCARBONATE FEET

(4X) #10-32 BRASS INSERTS 316 STAINLESSSTEEL FLANGE AND FEET SCREWS



FRONT VIEW WITH COVER REMOVED



PART No. PCJ181610H

for more information visit [www.hammfg.com](http://www.hammfg.com)  
Data subject to change without notice  
Drawing Not to Scale