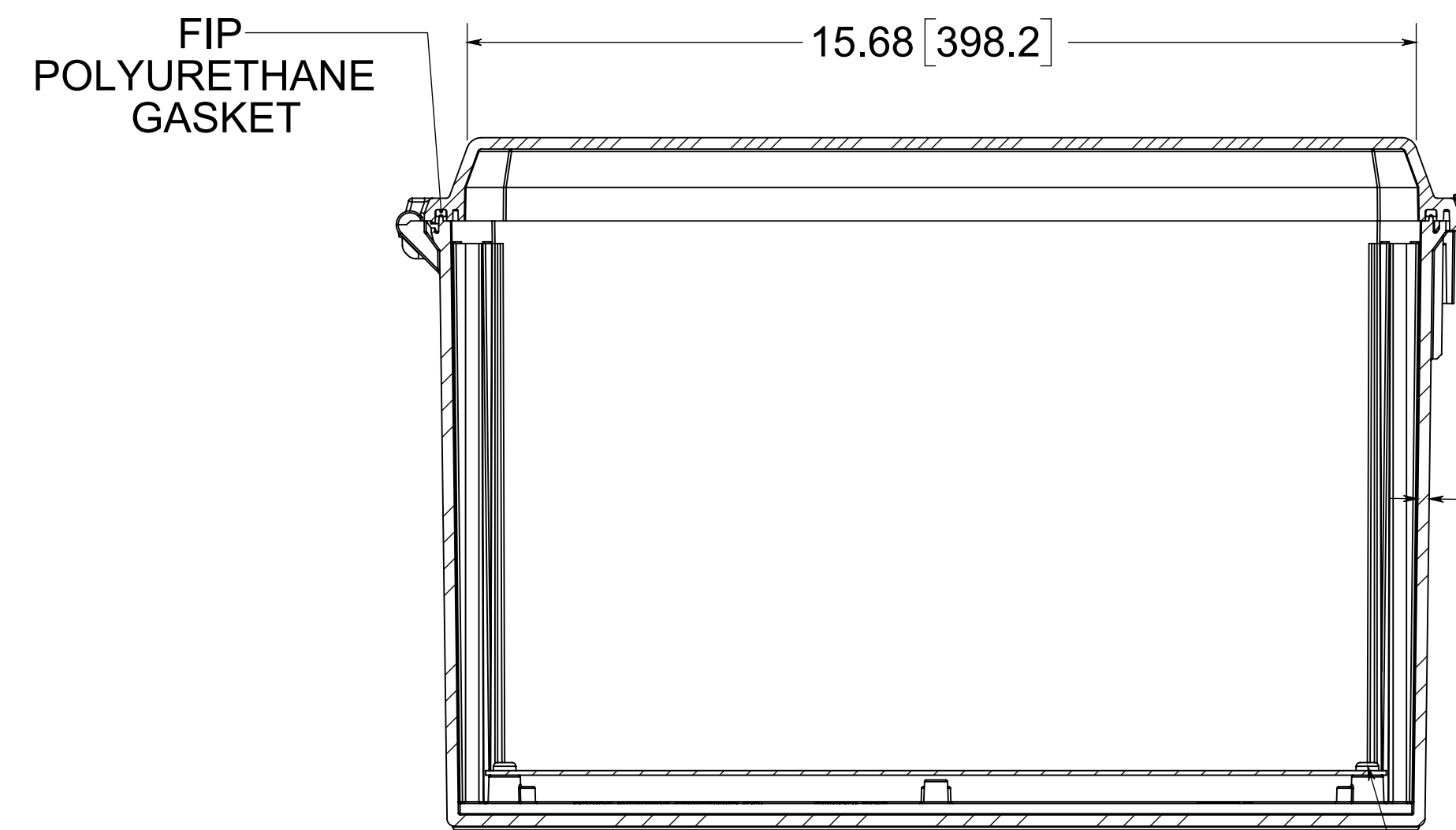


(4X) SNAP-IN POLYCARBONATE HINGE KNUCKLE

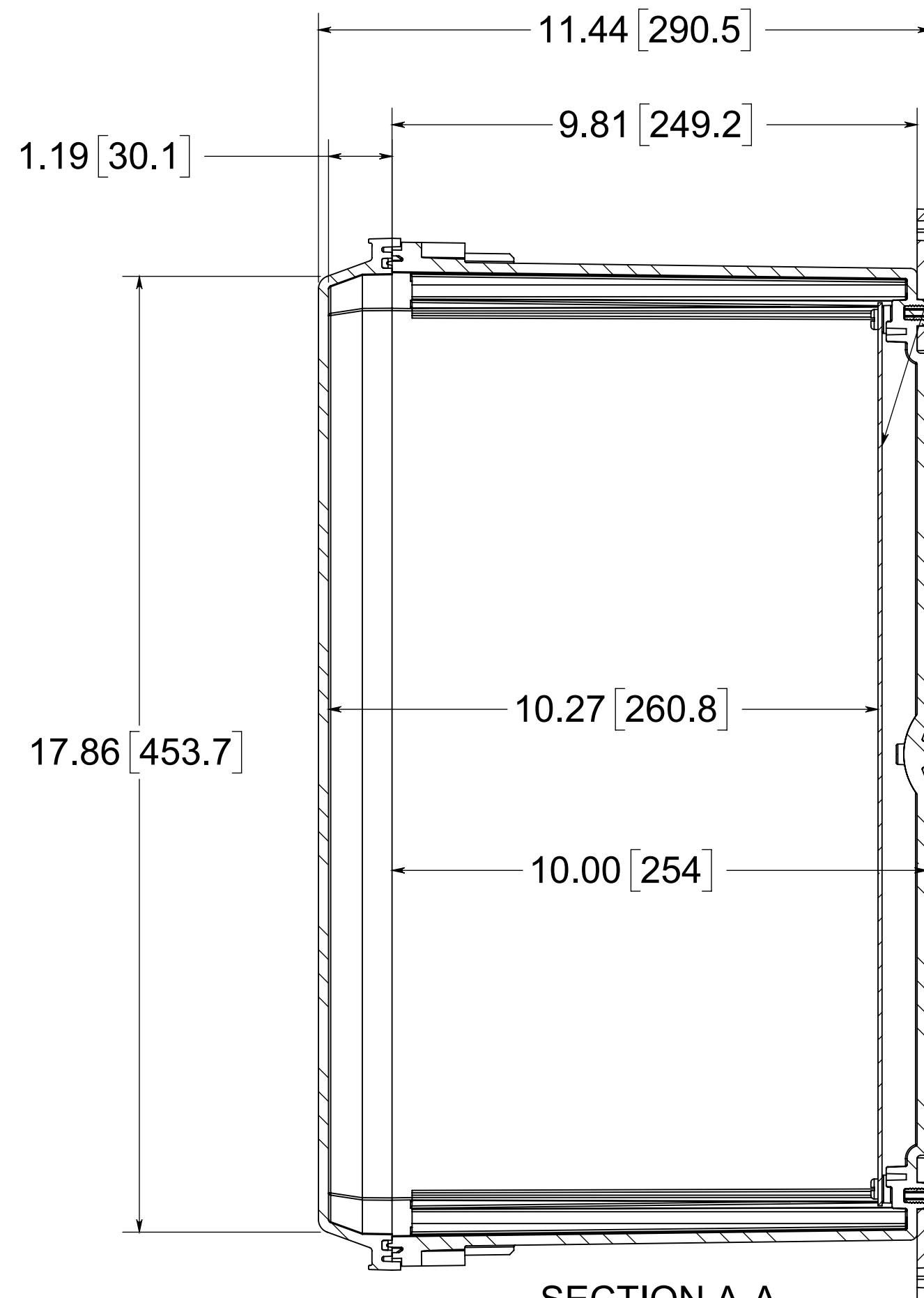
(2X) #10-32 BRASS INSERTS AND STAINLESS STEEL CAPTIVE COVER SCREWS



SECTION B-B SCALE 1 : 2.5

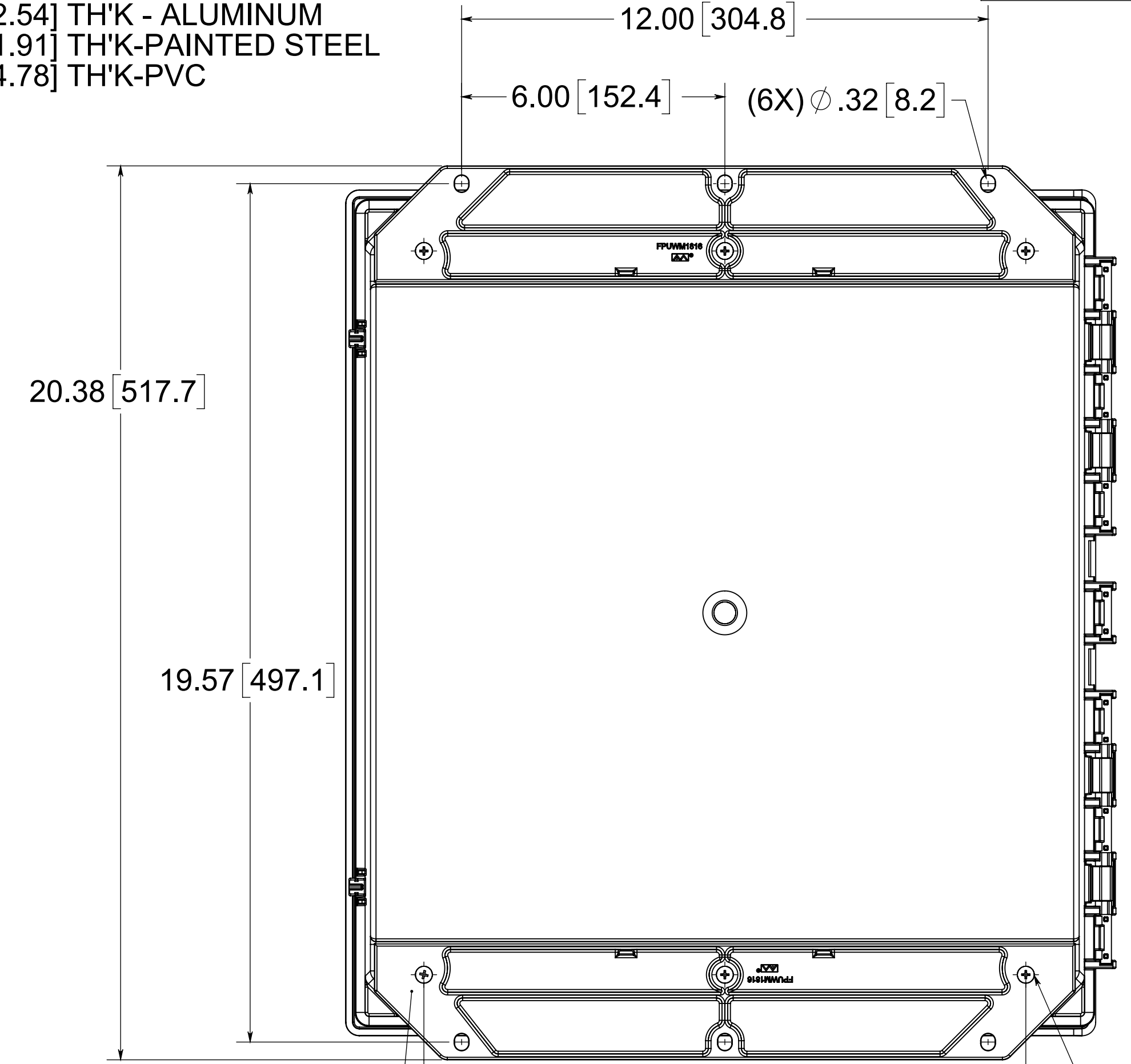
MATERIAL:
 BOX - INJECTED POLYCARBONATE
 STANDARD COVER - INJECTED POLYCARBONATE
 CLEAR COVER - INJECTED POLYCARBONATE

(4X) #10-32 BRASS INSERTS AND PLATED CARBON STEEL TRUSS SCREWS



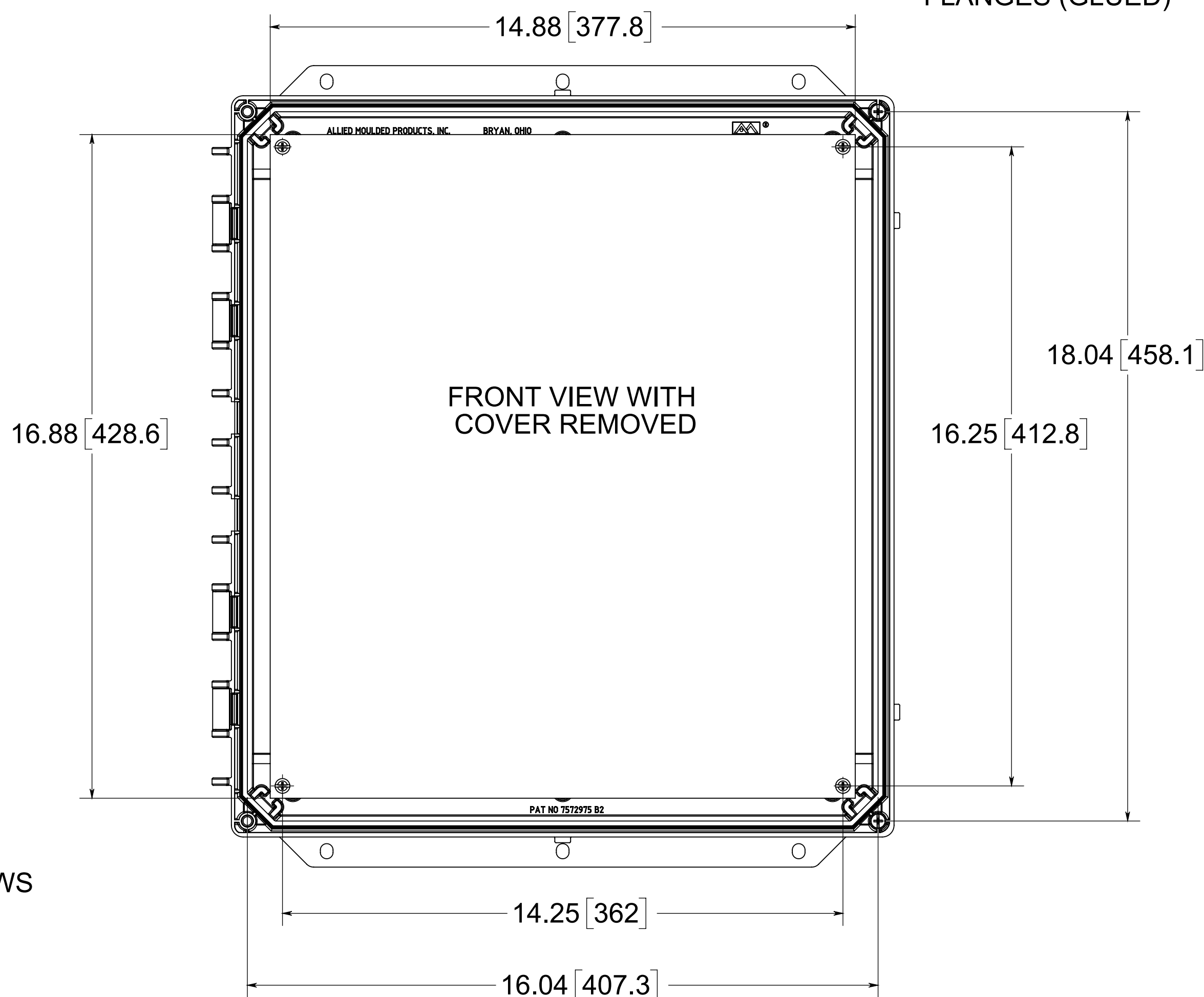
SECTION A-A SCALE 1 : 2.5

OPTIONAL BACK PANEL
 0.100 [2.54] TH'K - ALUMINUM
 0.075 [1.91] TH'K-PAINTED STEEL
 0.188 [4.78] TH'K-PVC



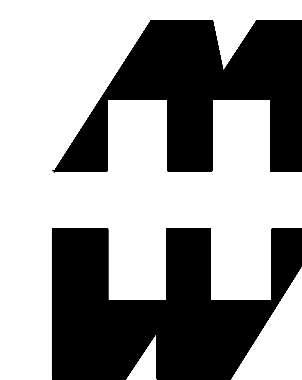
(2X) POLYCARBONATE FLANGES (GLUED)

(6X) #10-32 BRASS INSERTS, 316 STAINLESS STEEL FLANGE AND FEET SCREWS



FRONT VIEW WITH COVER REMOVED

NOTE:
 1. DATA SUBJECT TO CHANGE



PART No. PCJ181610HF

for more information visit
www.hammfg.com
 Data subject to change without notice

Drawing Not to Scale